

**INNERFACE  
ARCHITECTURAL  
SIGNAGE, INC.**

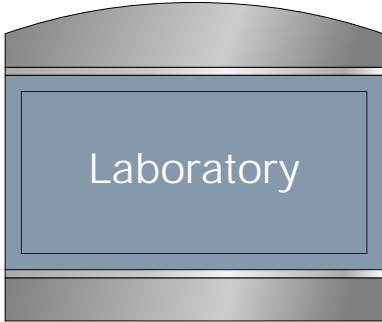
**DIRECTING  
PEOPLE  
BY DESIGN**

---

para // elR  
SERIES SPECIFICATIONS

5849 PEACHTREE ROAD  
ATLANTA, GEORGIA 30341  
T 770 921 5566  
T 800 445 4796  
F 770 279 1327  
INNERFACESIGN.COM

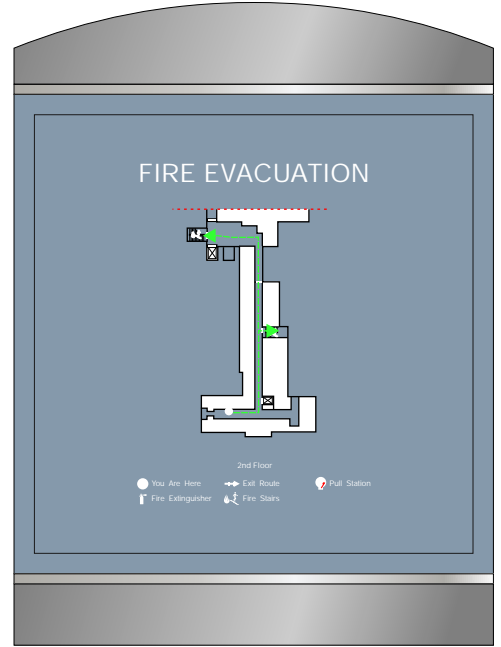
5.5



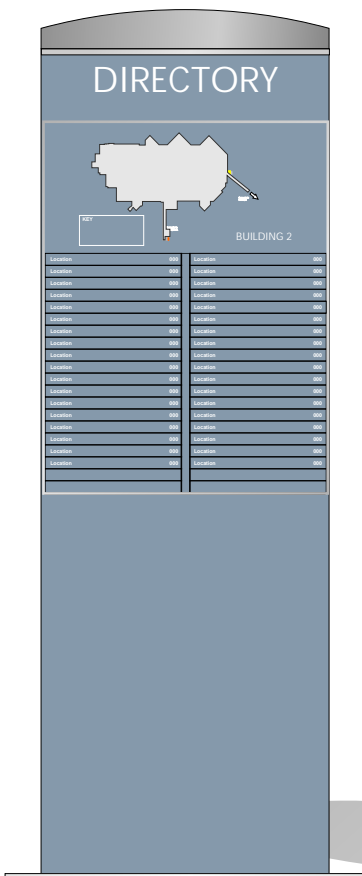
6.0



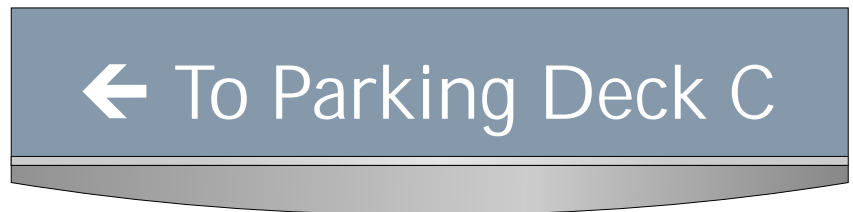
8.0



Freestanding



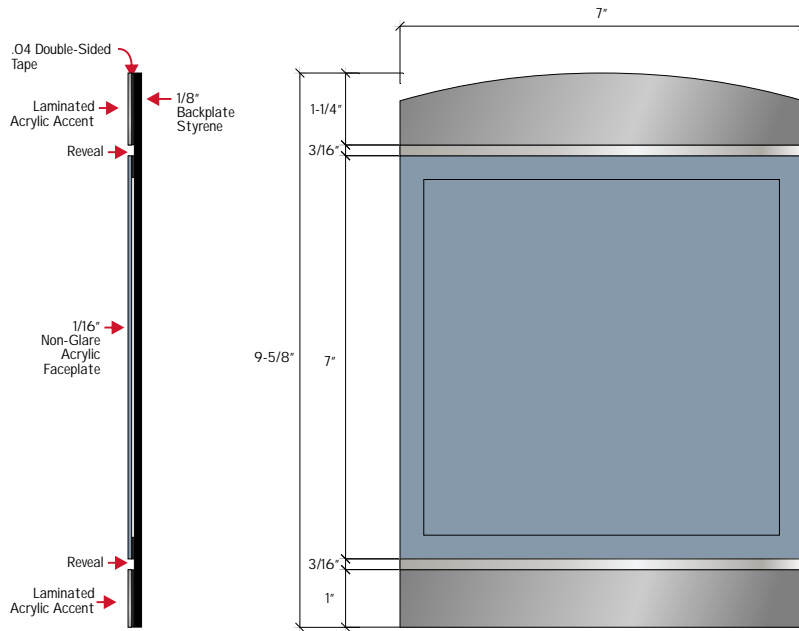
Ceiling Mount



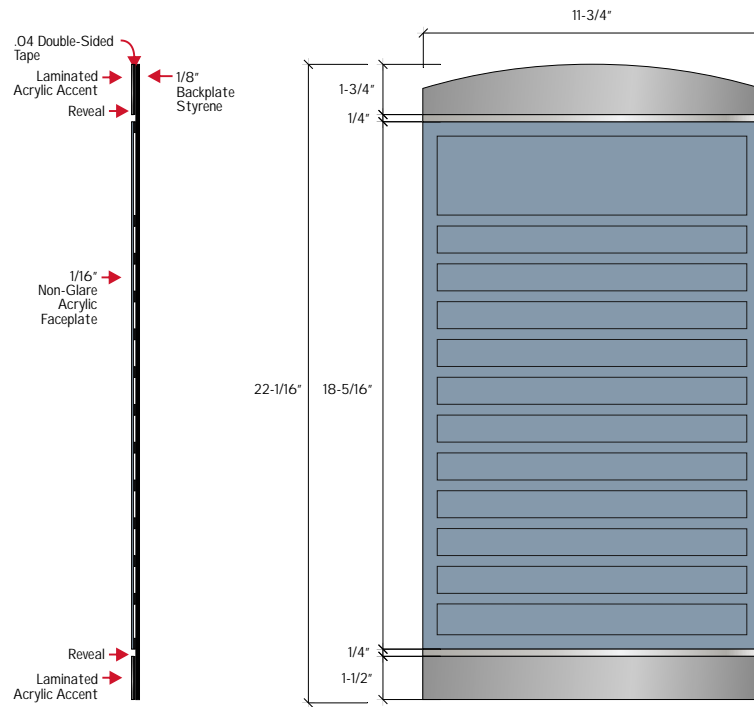
## Interior

This drawing and the ideas expressed remain the confidential property of INNERFACE. This drawing and its ideas are not to be reproduced, copied or disclosed to any other person or entity without the express written consent of a representative or agent of INNERFACE.

# 4.0



# 11.0

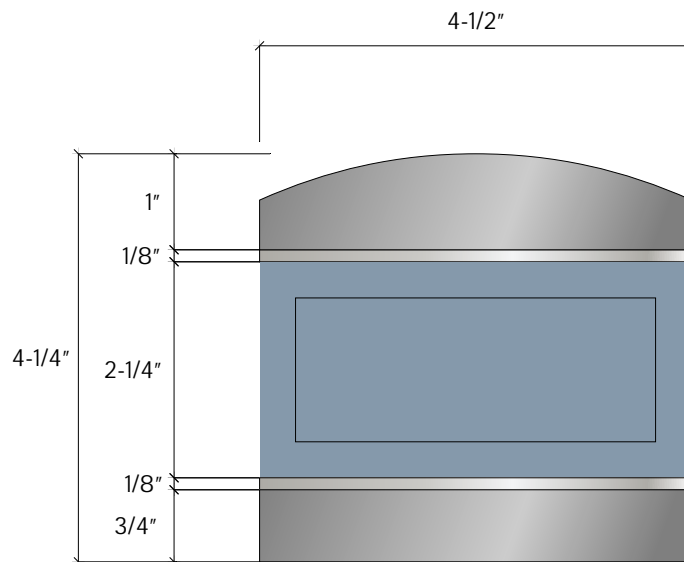


## Interior

This drawing and the ideas expressed remain the confidential property of INNERFACE. This drawing and its ideas are not to be reproduced, copied or disclosed to any other person or entity without the express written consent of a representative or agent of INNERFACE.

## PARALLEL R SIGN TYPE MODULES

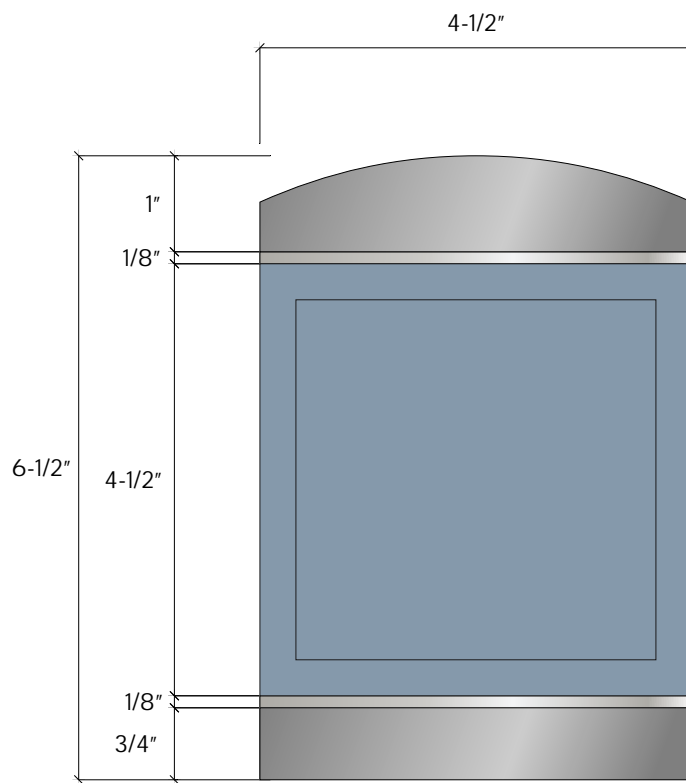
# 1.0



## Interior

This drawing and the ideas expressed remain the confidential property of INNERFACE. This drawing and its ideas are not to be reproduced, copied, or disclosed to any other person or entity without the express written consent of a representative or agent of INNERFACE.

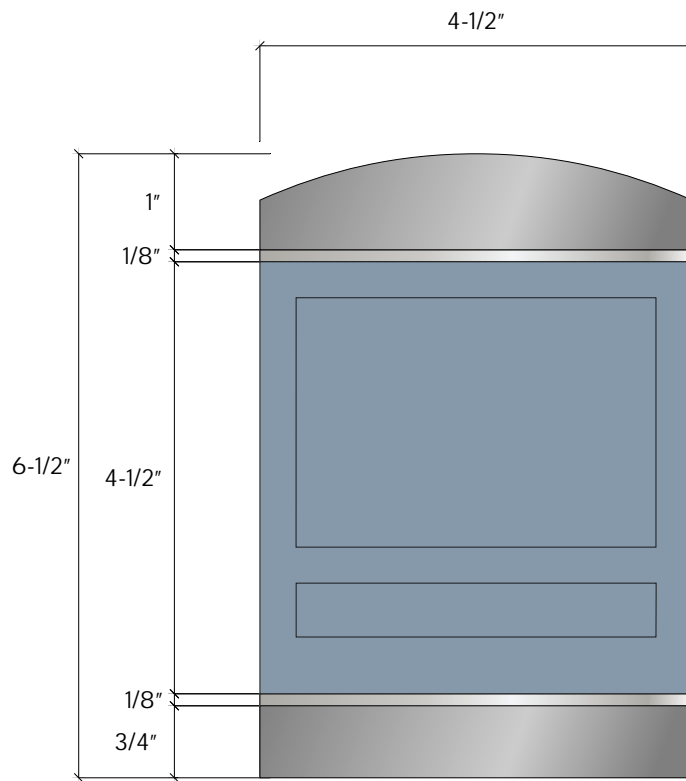
## 2.0



### Interior

This drawing and the ideas expressed remain the confidential property of INNERFACE. This drawing and its ideas are not to be reproduced, copied, or disclosed to any other person or entity without the express written consent of a representative or agent of INNERFACE.

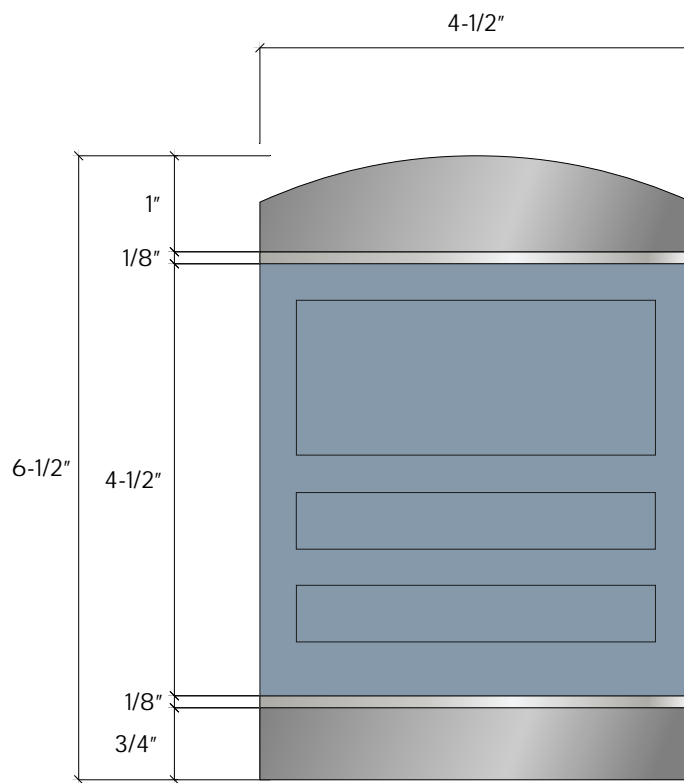
## 2.11



### Interior

This drawing and the ideas expressed remain the confidential property of INNERFACE. This drawing and its ideas are not to be reproduced, copied, or disclosed to any other person or entity without the express written consent of a representative or agent of INNERFACE.

## 2.22

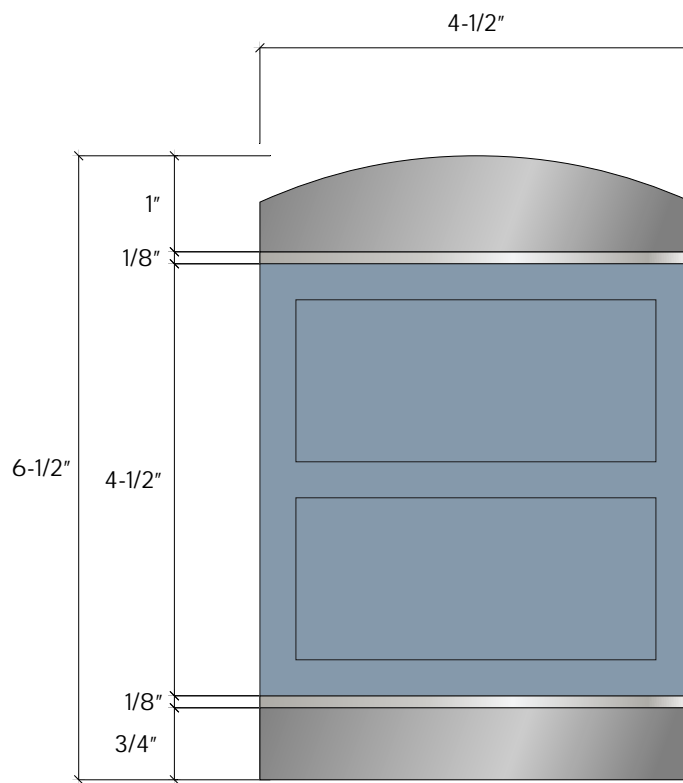


### Interior

This drawing and the ideas expressed remain the confidential property of INNERFACE. This drawing and its ideas are not to be reproduced, copied, or disclosed to any other person or entity without the express written consent of a representative or agent of INNERFACE.



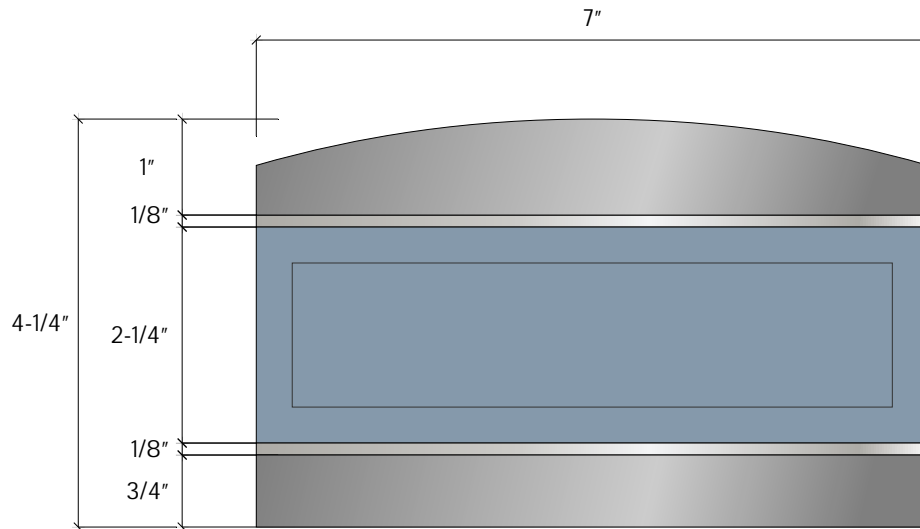
## 2.6



### Interior

This drawing and the ideas expressed remain the confidential property of INNERFACE. This drawing and its ideas are not to be reproduced, copied, or disclosed to any other person or entity without the express written consent of a representative or agent of INNERFACE.

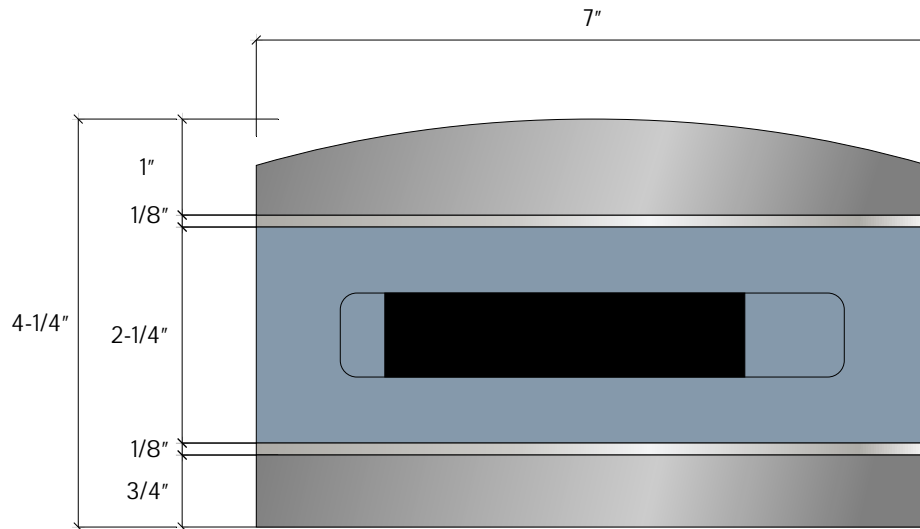
# 3.0



## Interior

This drawing and the ideas expressed remain the confidential property of INNERFACE. This drawing and its ideas are not to be reproduced, copied, or disclosed to any other person or entity without the express written consent of a representative or agent of INNERFACE.

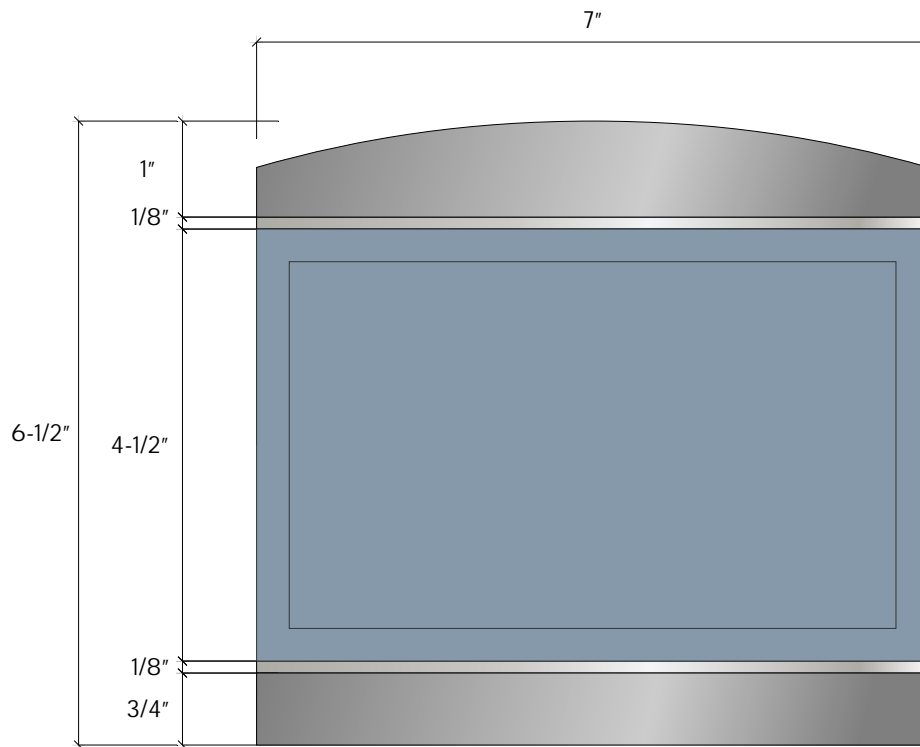
# 3.5



## Interior

This drawing and the ideas expressed remain the confidential property of INNERFACE. This drawing and its ideas are not to be reproduced, copied, or disclosed to any other person or entity without the express written consent of a representative or agent of INNERFACE.

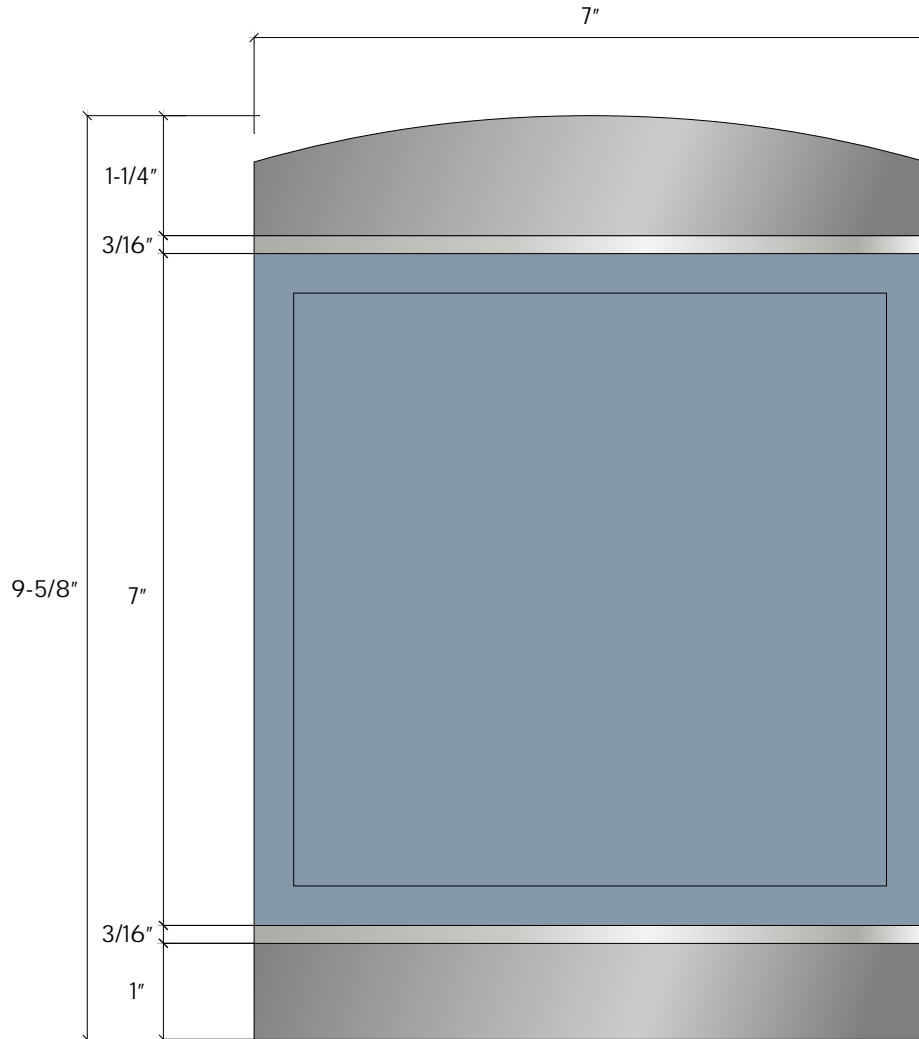
# 3.7



## Interior

This drawing and the ideas expressed remain the confidential property of INNERFACE. This drawing and its ideas are not to be reproduced, copied, or disclosed to any other person or entity without the express written consent of a representative or agent of INNERFACE.

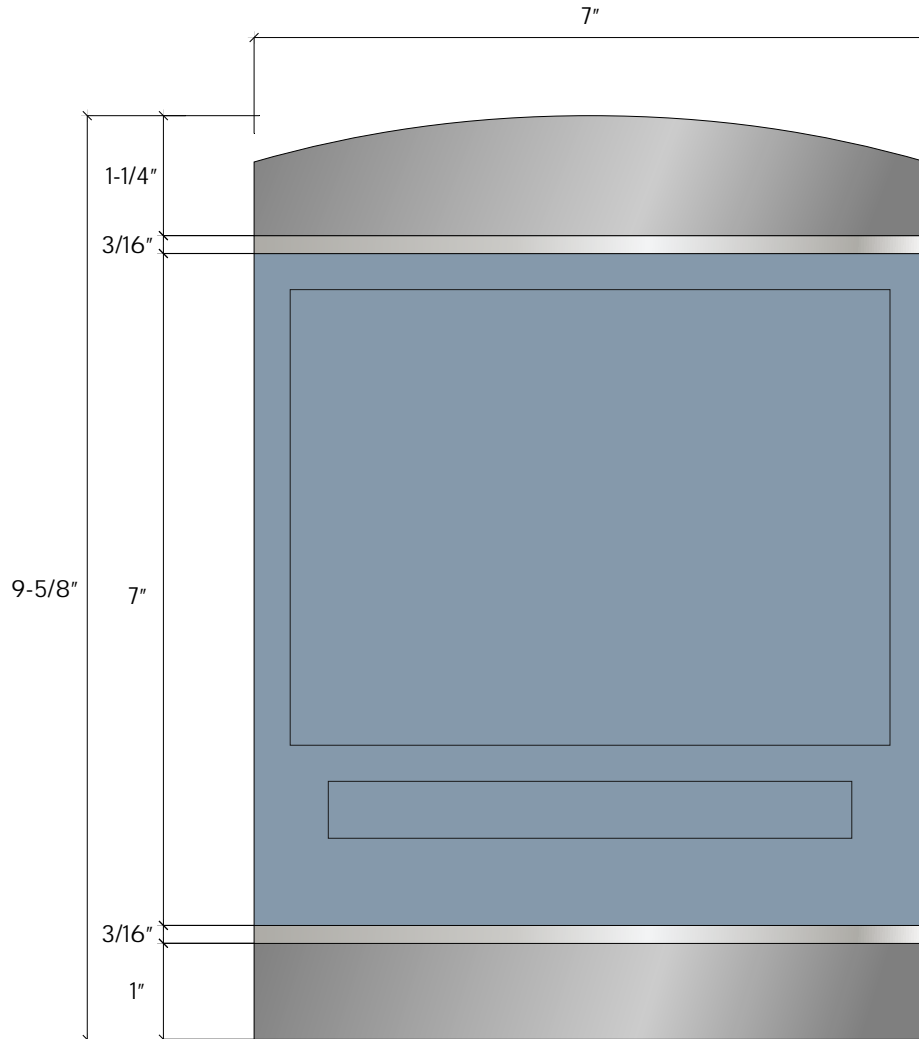
# 4.0



## Interior

This drawing and the ideas expressed remain the confidential property of INNERFACE. This drawing and its ideas are not to be reproduced, copied, or disclosed to any other person or entity without the express written consent of a representative or agent of INNERFACE.

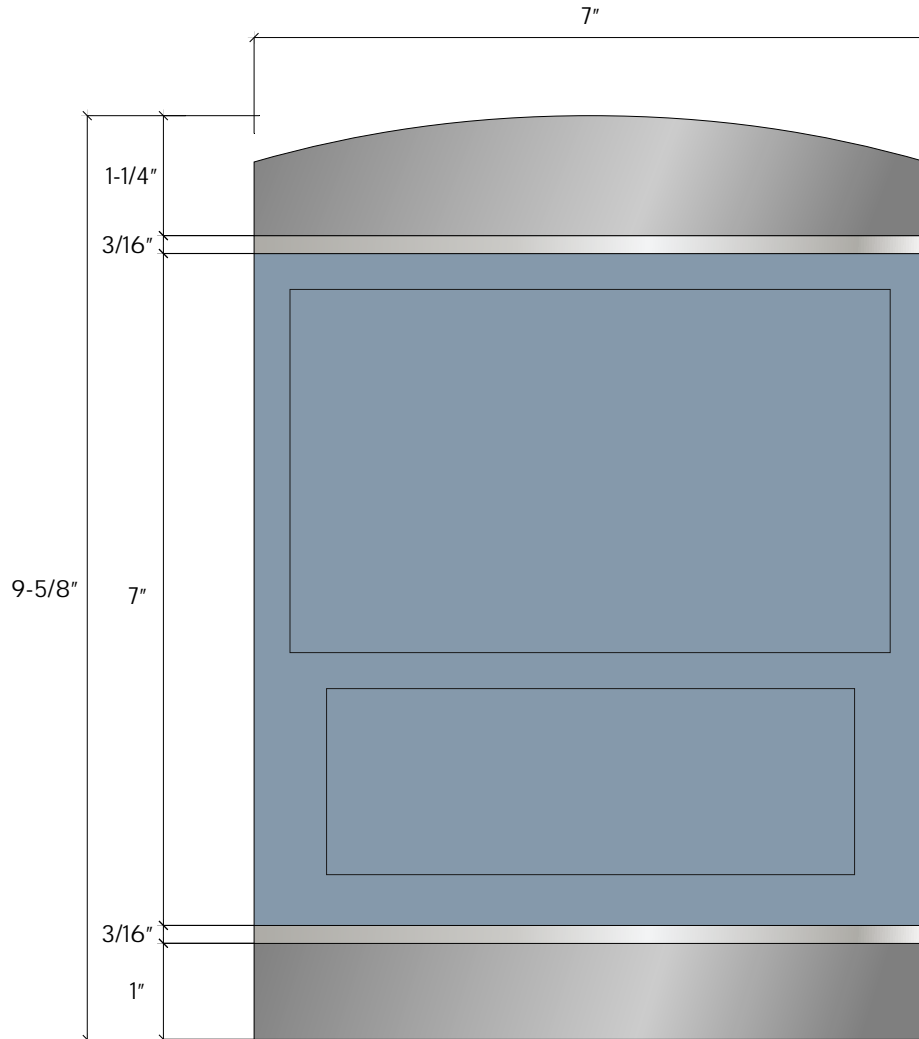
# 4.11



## Interior

This drawing and the ideas expressed remain the confidential property of INNERFACE. This drawing and its ideas are not to be reproduced, copied, or disclosed to any other person or entity without the express written consent of a representative or agent of INNERFACE.

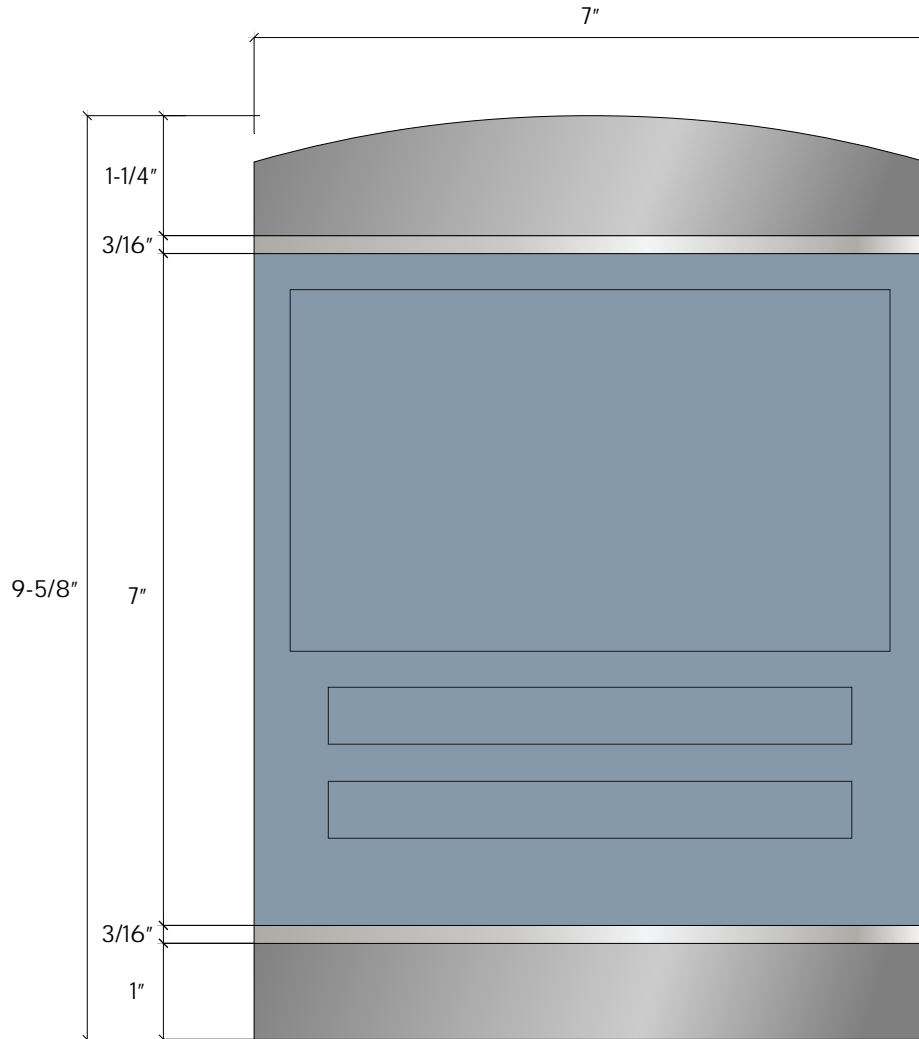
# 4.11E



## Interior

This drawing and the ideas expressed remain the confidential property of INNERFACE. This drawing and its ideas are not to be reproduced, copied, or disclosed to any other person or entity without the express written consent of a representative or agent of INNERFACE.

## 4.22

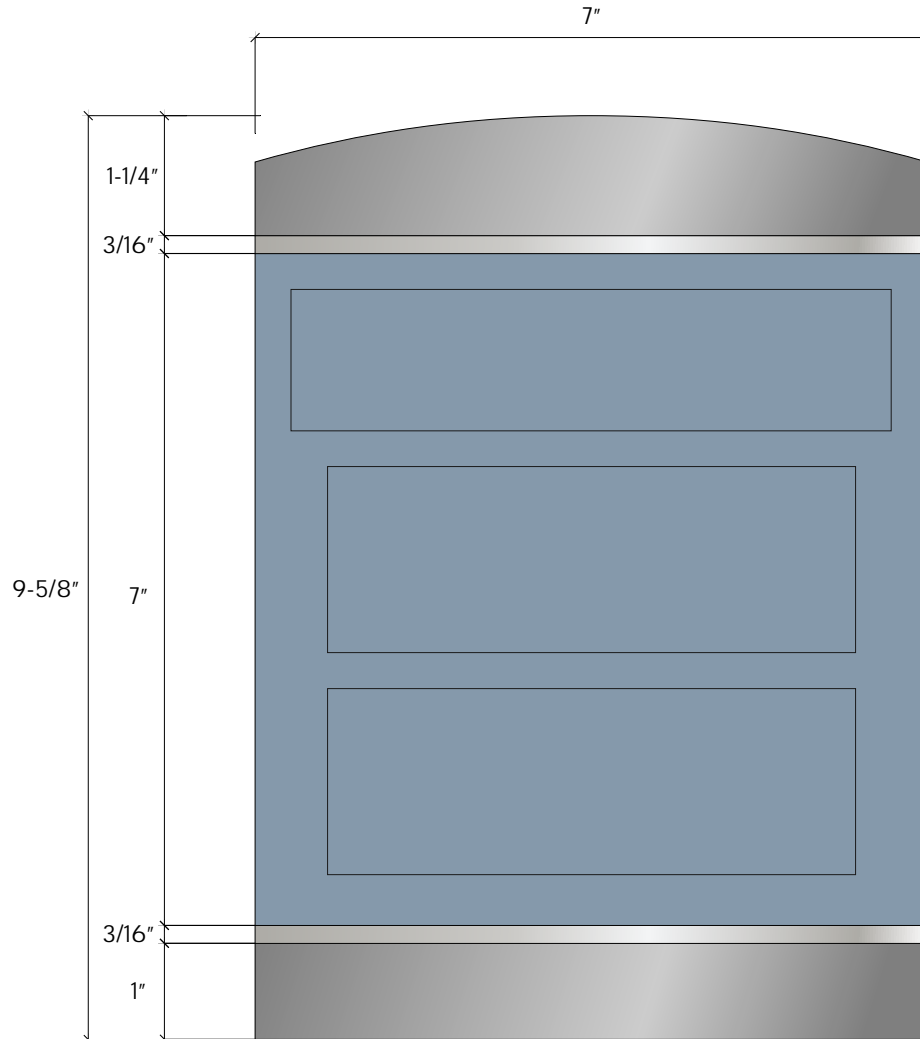


### Interior

This drawing and the ideas expressed remain the confidential property of INNERFACE. This drawing and its ideas are not to be reproduced, copied, or disclosed to any other person or entity without the express written consent of a representative or agent of INNERFACE.



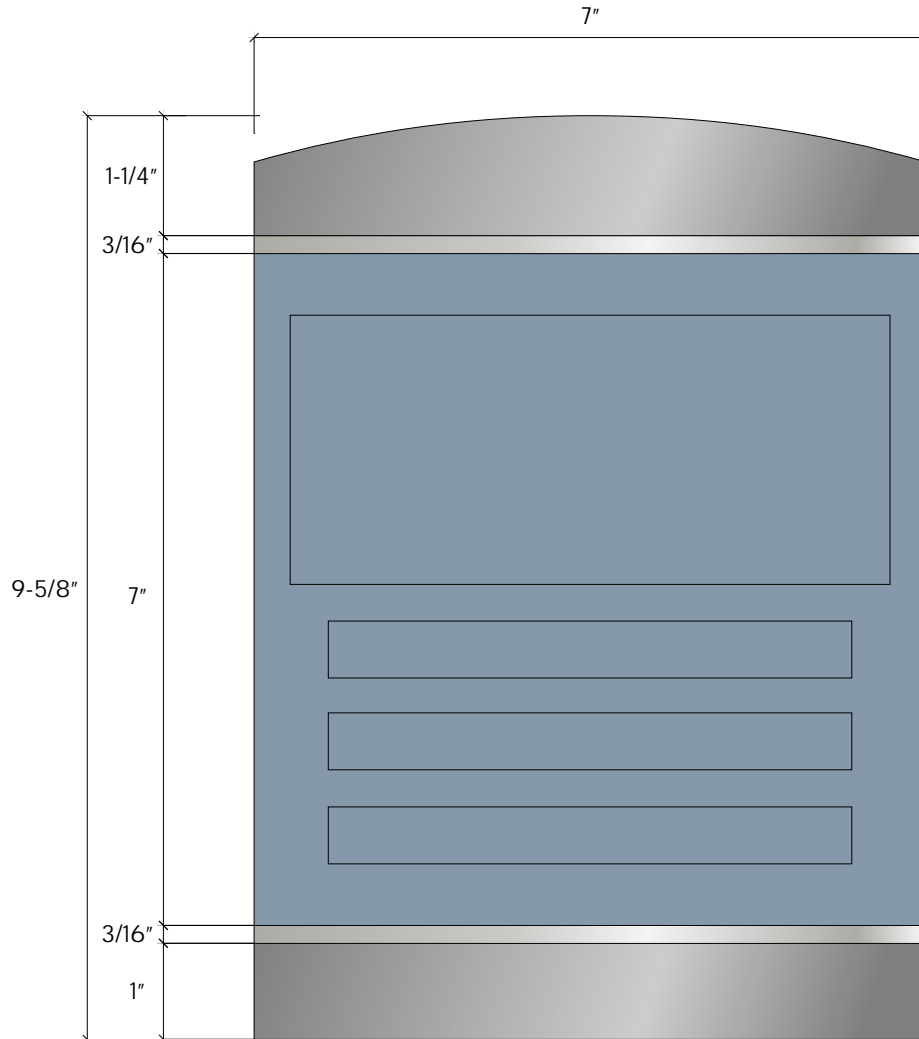
## 4.22E



### Interior

This drawing and the ideas expressed remain the confidential property of INNERFACE. This drawing and its ideas are not to be reproduced, copied, or disclosed to any other person or entity without the express written consent of a representative or agent of INNERFACE.

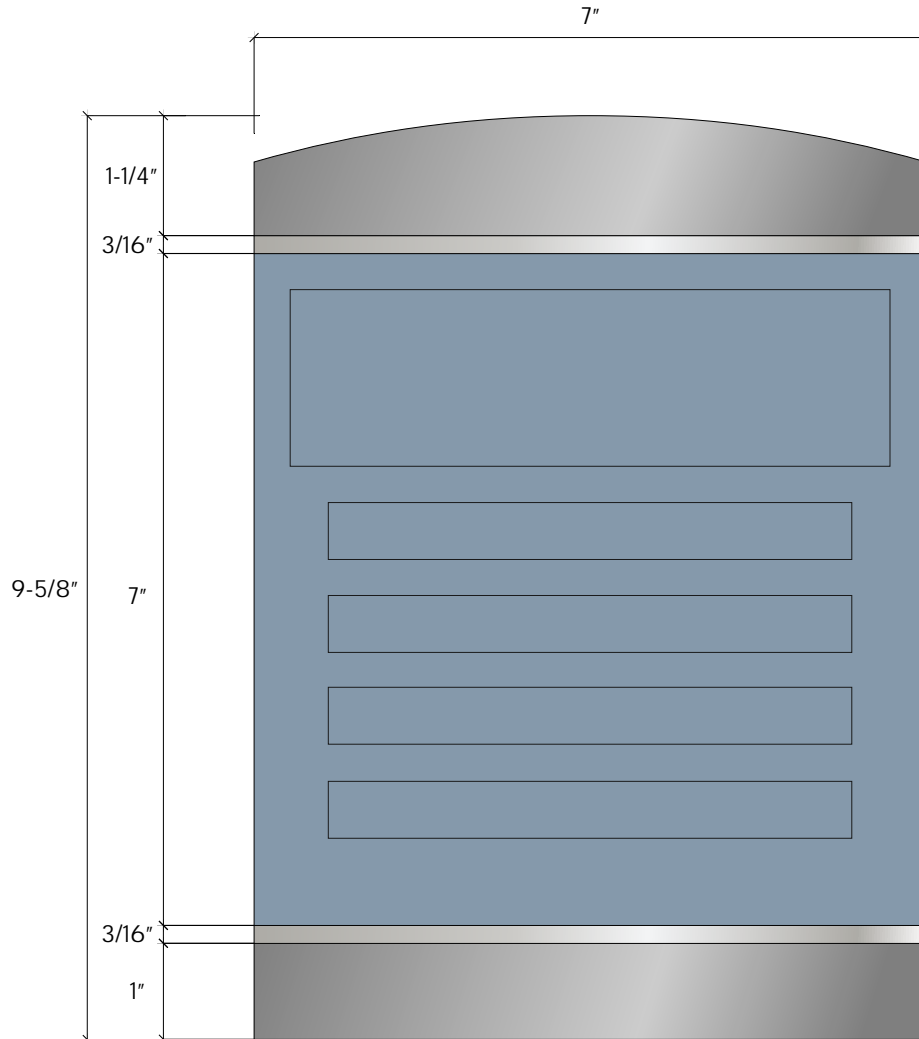
# 4.33



## Interior

This drawing and the ideas expressed remain the confidential property of INNERFACE. This drawing and its ideas are not to be reproduced, copied, or disclosed to any other person or entity without the express written consent of a representative or agent of INNERFACE.

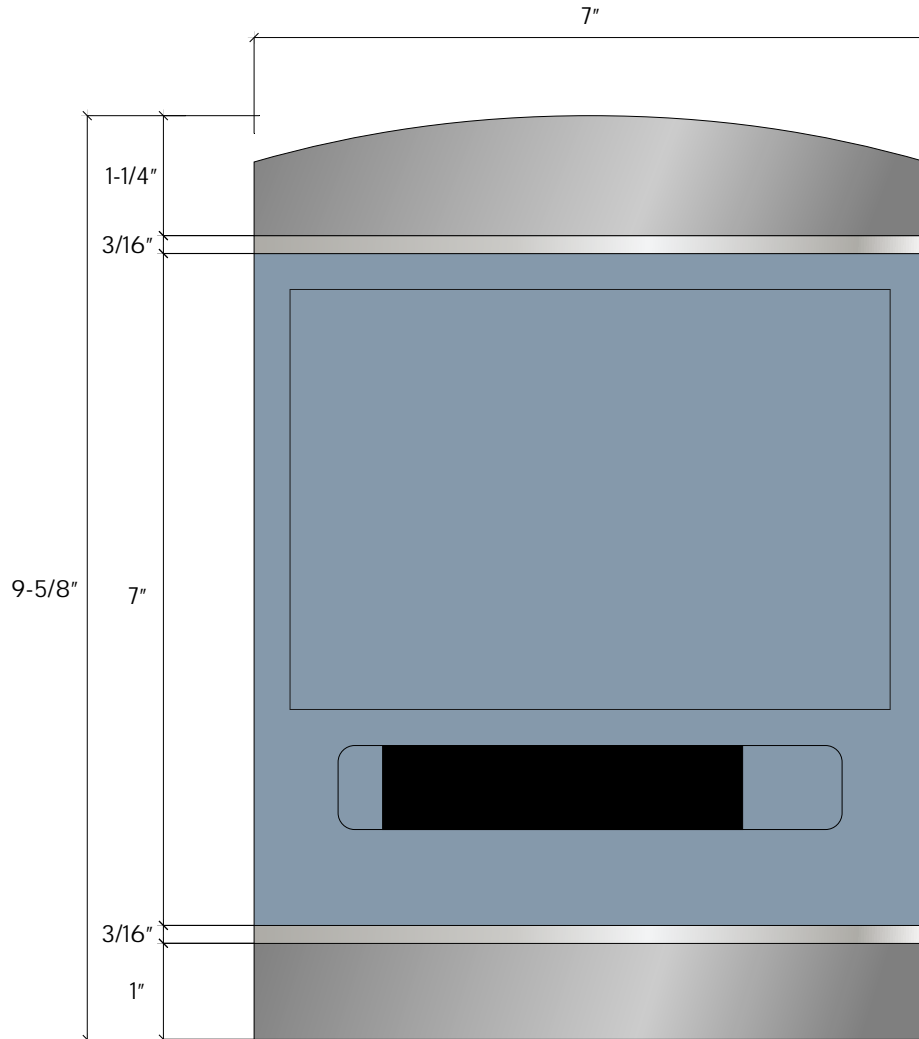
## 4.44



### Interior

This drawing and the ideas expressed remain the confidential property of INNERFACE. This drawing and its ideas are not to be reproduced, copied, or disclosed to any other person or entity without the express written consent of a representative or agent of INNERFACE.

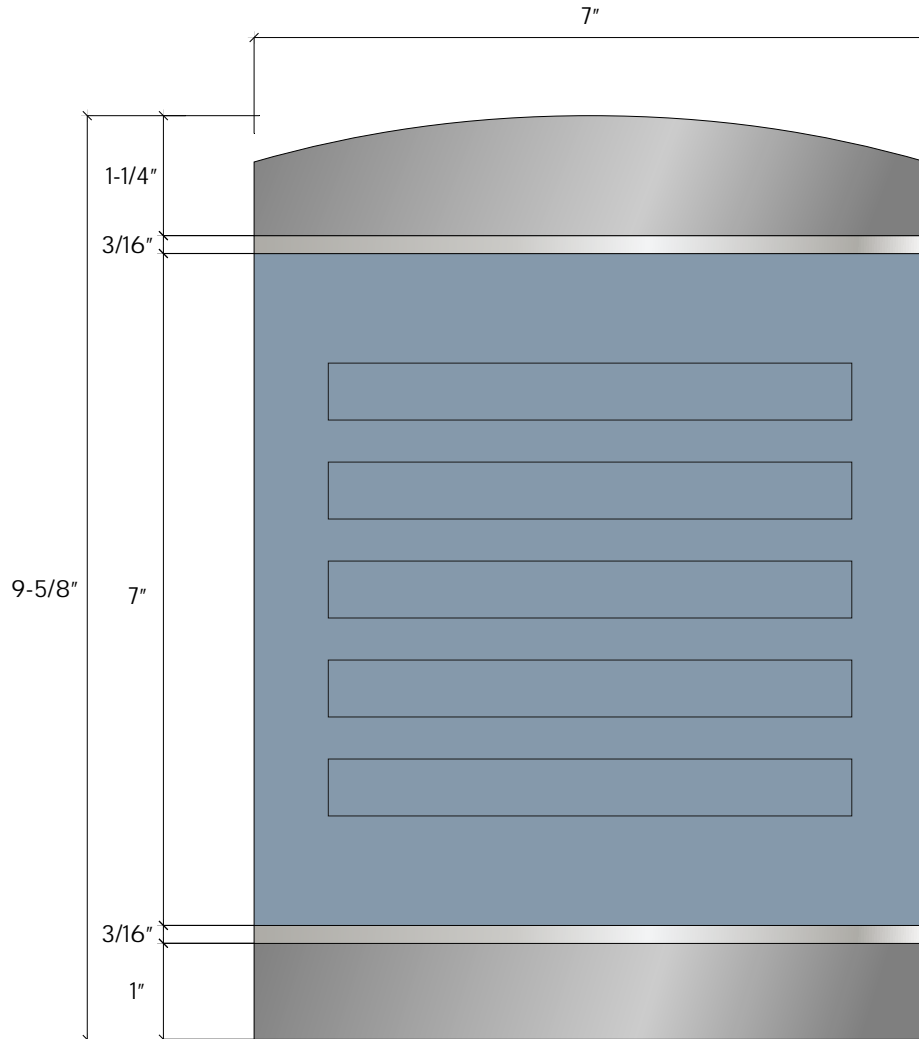
# 4.5



## Interior

This drawing and the ideas expressed remain the confidential property of INNERFACE. This drawing and its ideas are not to be reproduced, copied, or disclosed to any other person or entity without the express written consent of a representative or agent of INNERFACE.

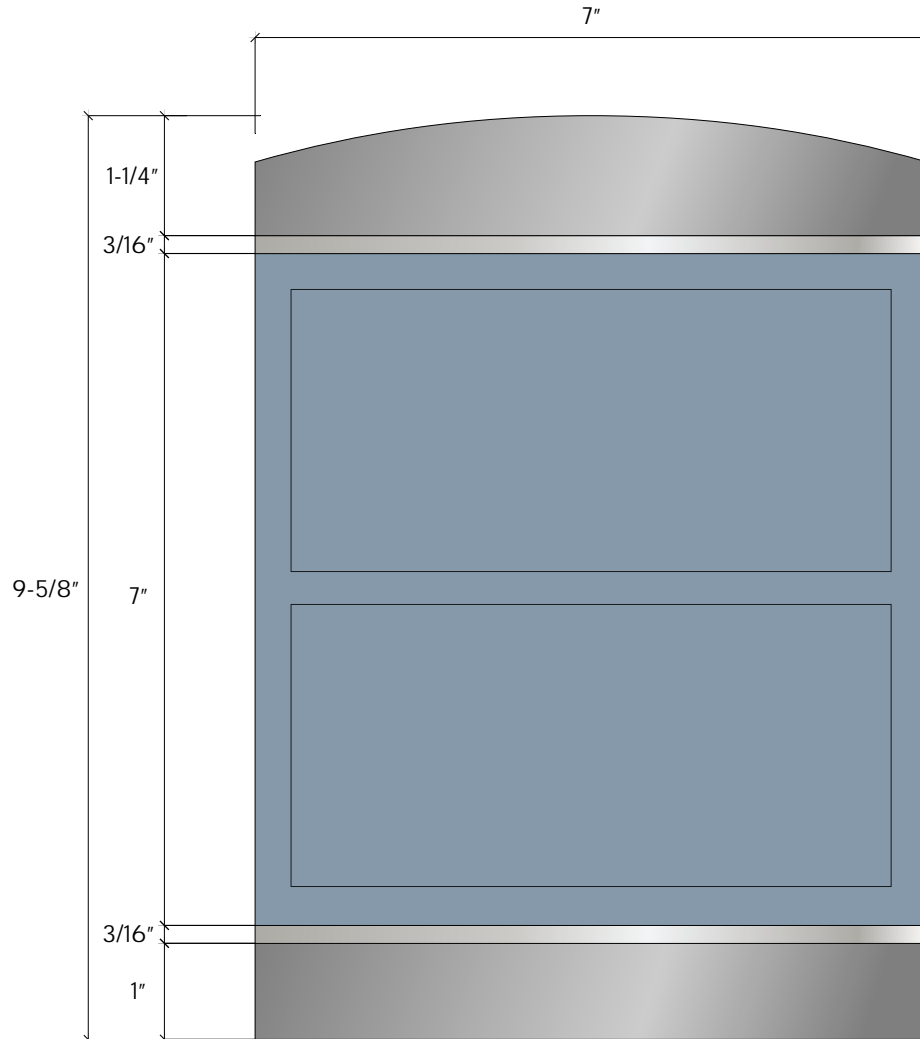
# 4.55



## Interior

This drawing and the ideas expressed remain the confidential property of INNERFACE. This drawing and its ideas are not to be reproduced, copied, or disclosed to any other person or entity without the express written consent of a representative or agent of INNERFACE.

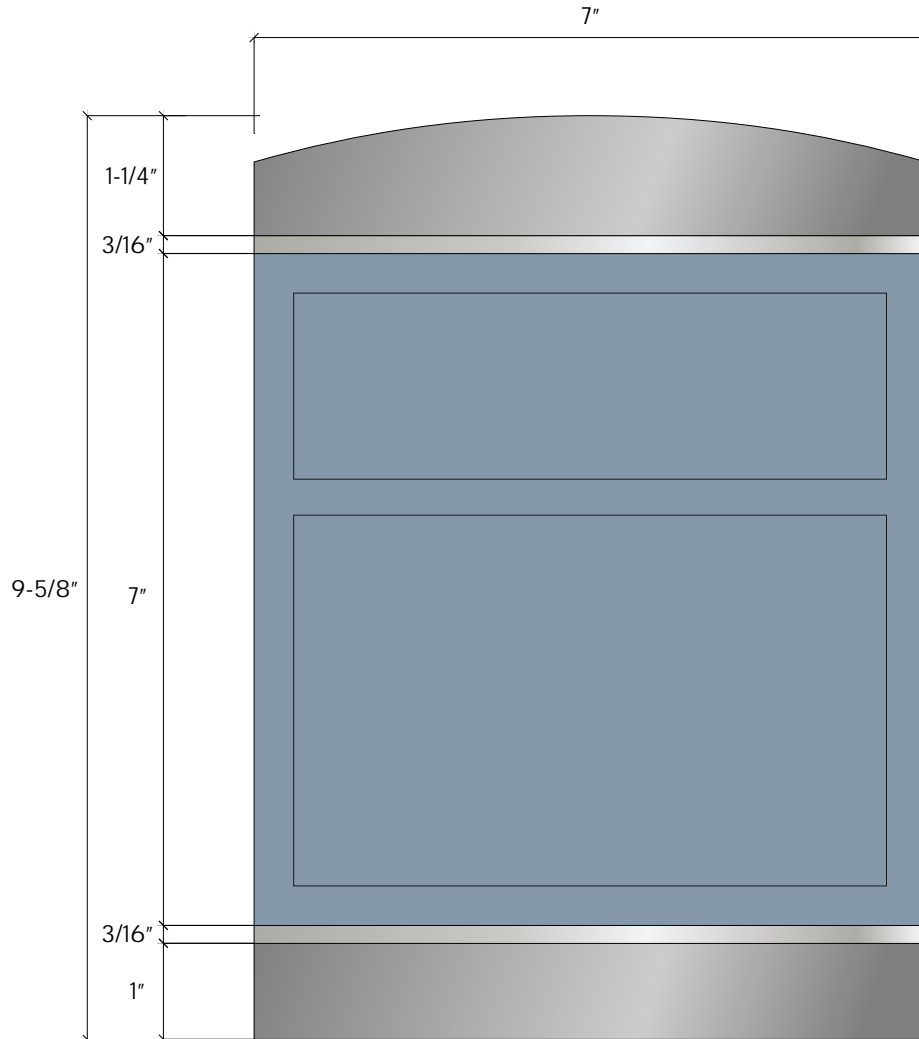
## 4.6



### Interior

This drawing and the ideas expressed remain the confidential property of INNERFACE. This drawing and its ideas are not to be reproduced, copied, or disclosed to any other person or entity without the express written consent of a representative or agent of INNERFACE.

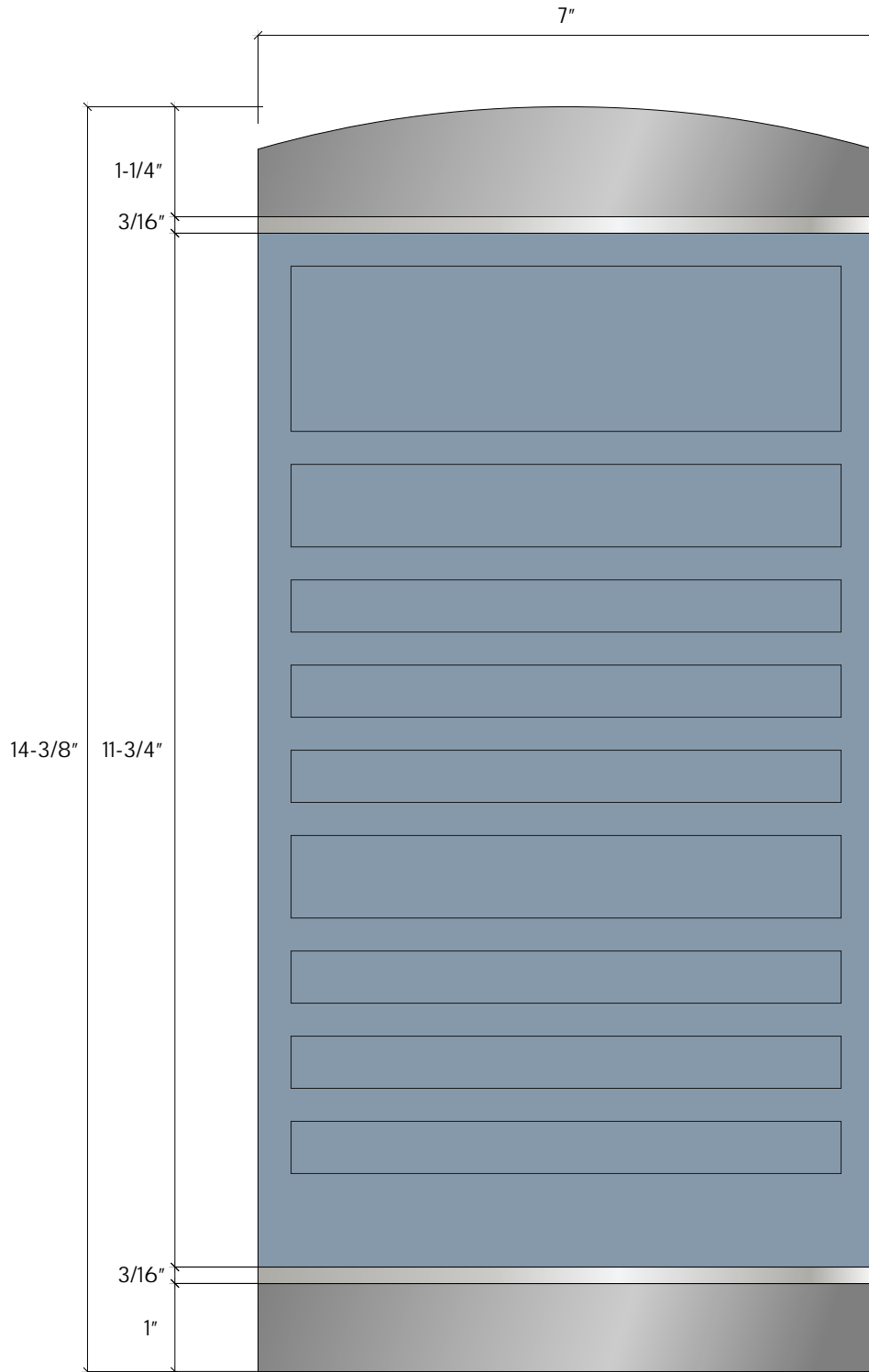
# 4.7



## Interior

This drawing and the ideas expressed remain the confidential property of INNERFACE. This drawing and its ideas are not to be reproduced, copied, or disclosed to any other person or entity without the express written consent of a representative or agent of INNERFACE.

4.88

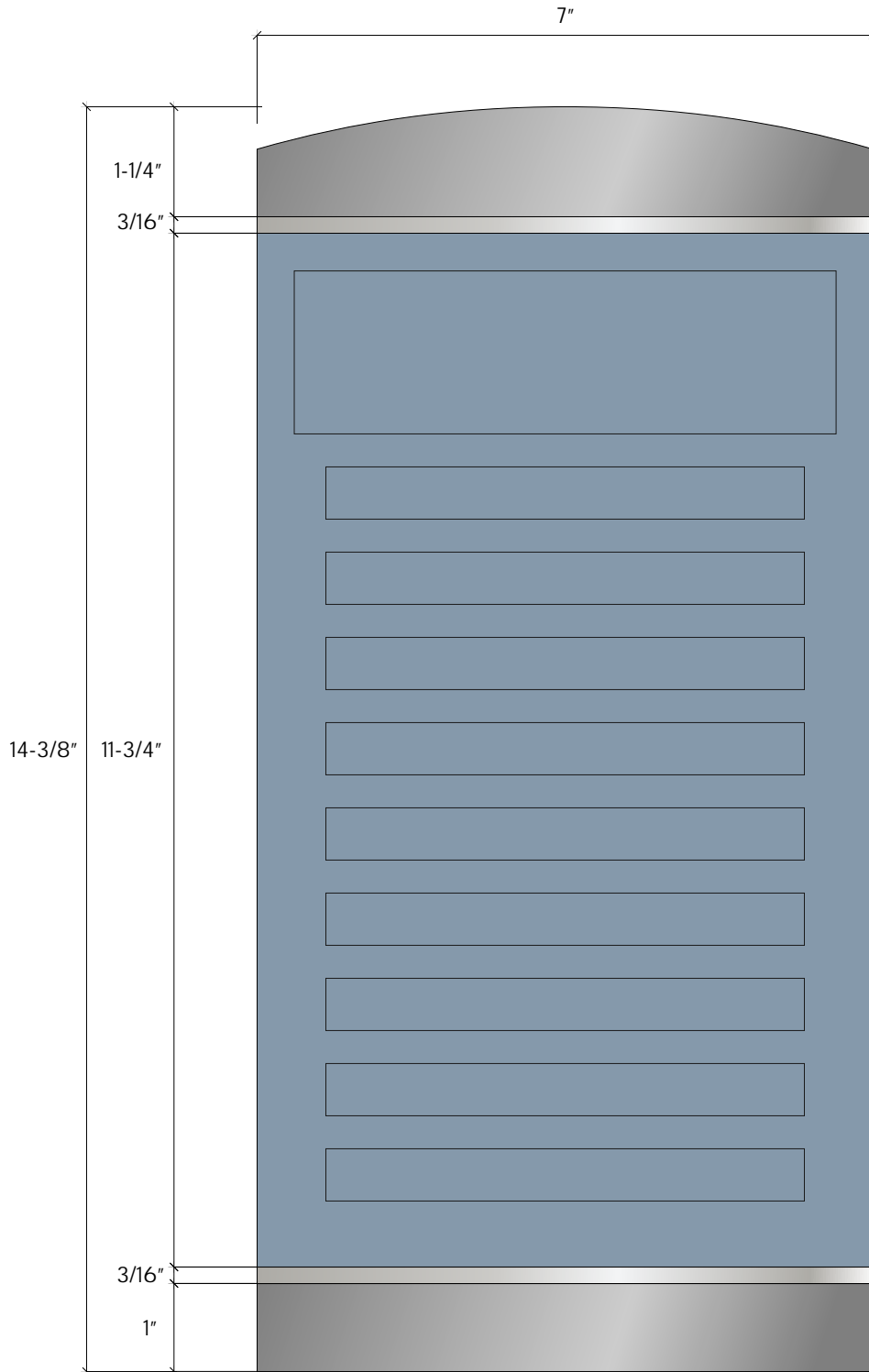


**Interior**

This drawing and the ideas expressed remain the confidential property of INNERFACE. This drawing and its ideas are not to be reproduced, copied, or disclosed to any other person or entity without the express written consent of a representative or agent of INNERFACE.



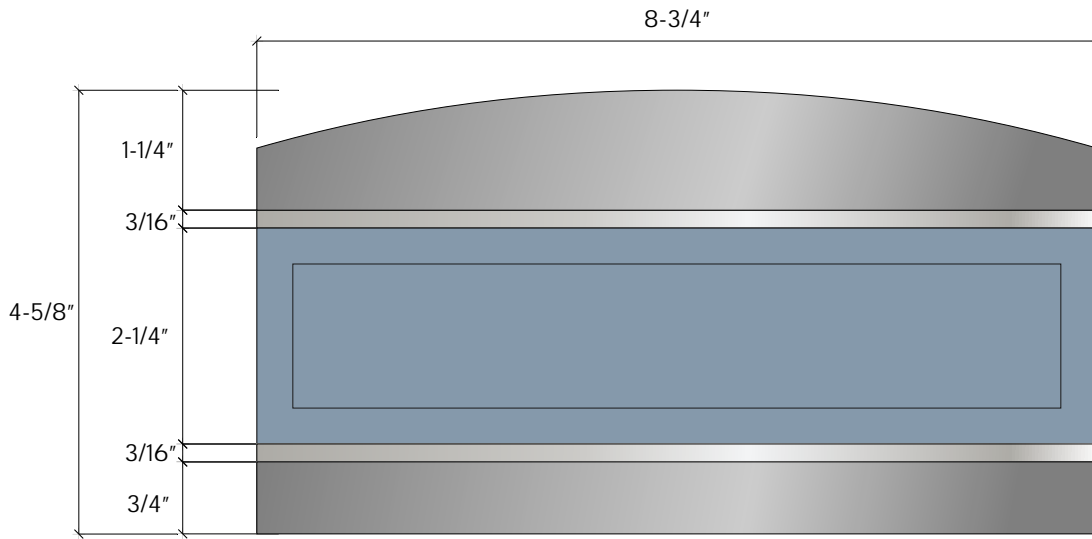
# 4.99



## Interior

This drawing and the ideas expressed remain the confidential property of INNERFACE. This drawing and its ideas are not to be reproduced, copied, or disclosed to any other person or entity without the express written consent of a representative or agent of INNERFACE.

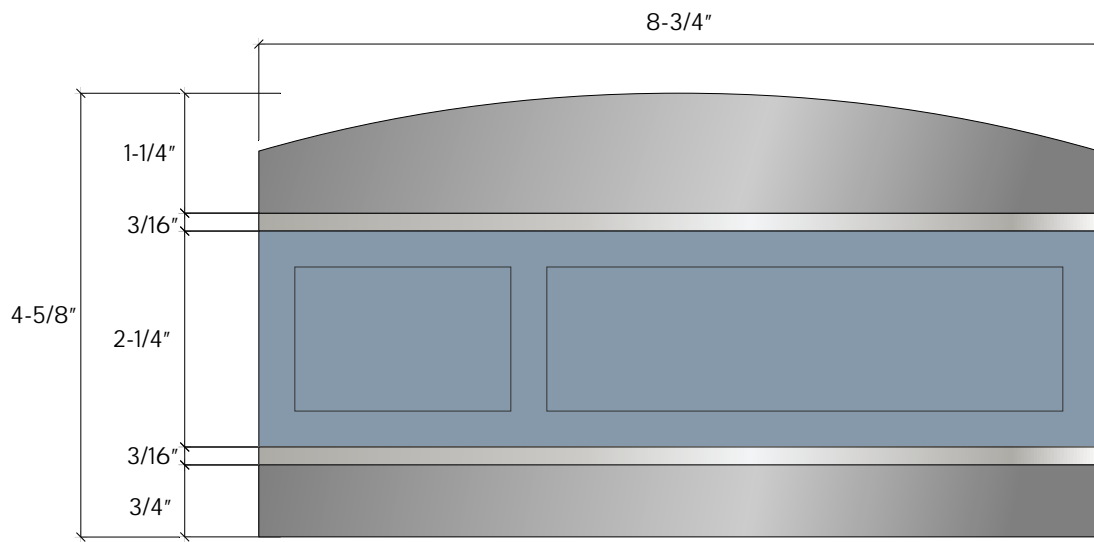
# 5.0



## Interior

This drawing and the ideas expressed remain the confidential property of INNERFACE. This drawing and its ideas are not to be reproduced, copied, or disclosed to any other person or entity without the express written consent of a representative or agent of INNERFACE.

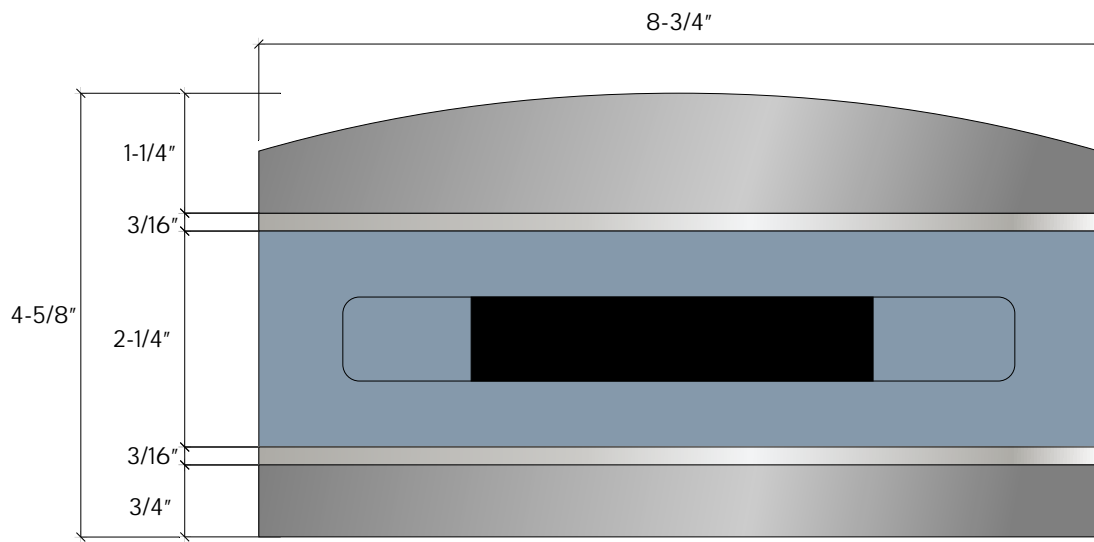
## 5.2



### Interior

This drawing and the ideas expressed remain the confidential property of INNERFACE. This drawing and its ideas are not to be reproduced, copied, or disclosed to any other person or entity without the express written consent of a representative or agent of INNERFACE.

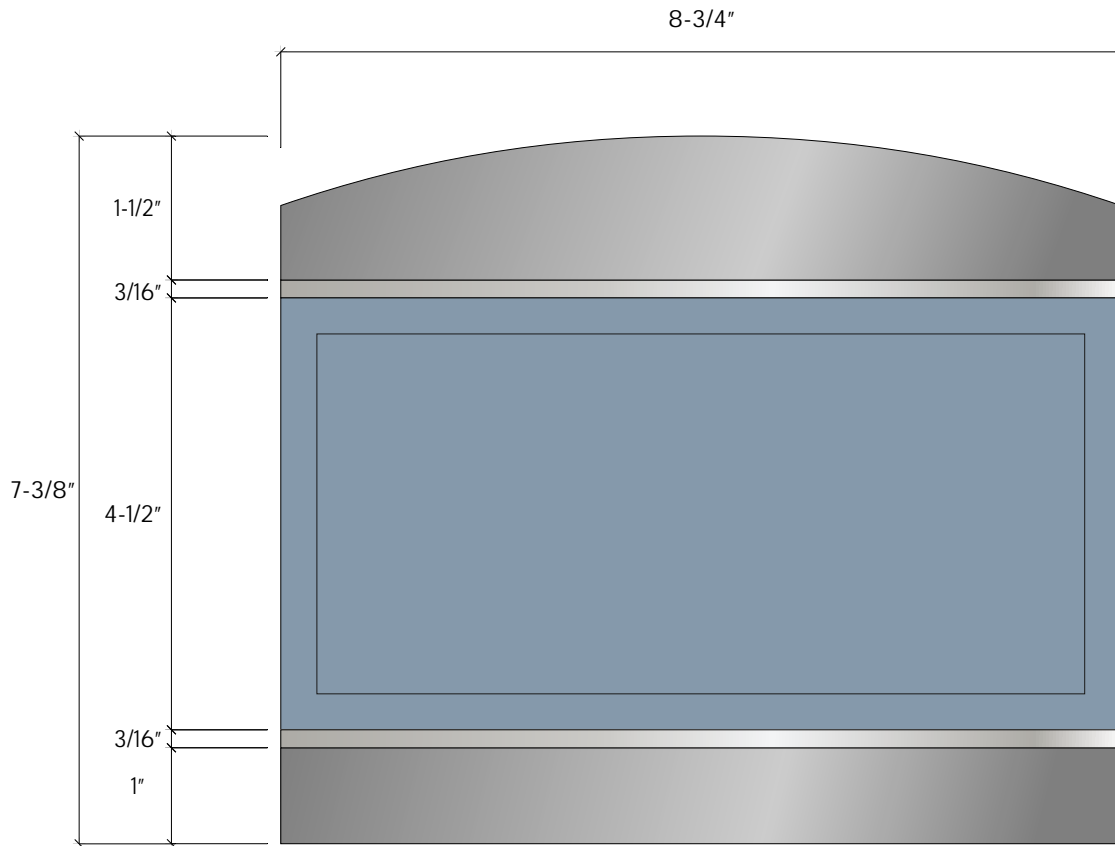
## 5.3



### Interior

This drawing and the ideas expressed remain the confidential property of INNERFACE. This drawing and its ideas are not to be reproduced, copied, or disclosed to any other person or entity without the express written consent of a representative or agent of INNERFACE.

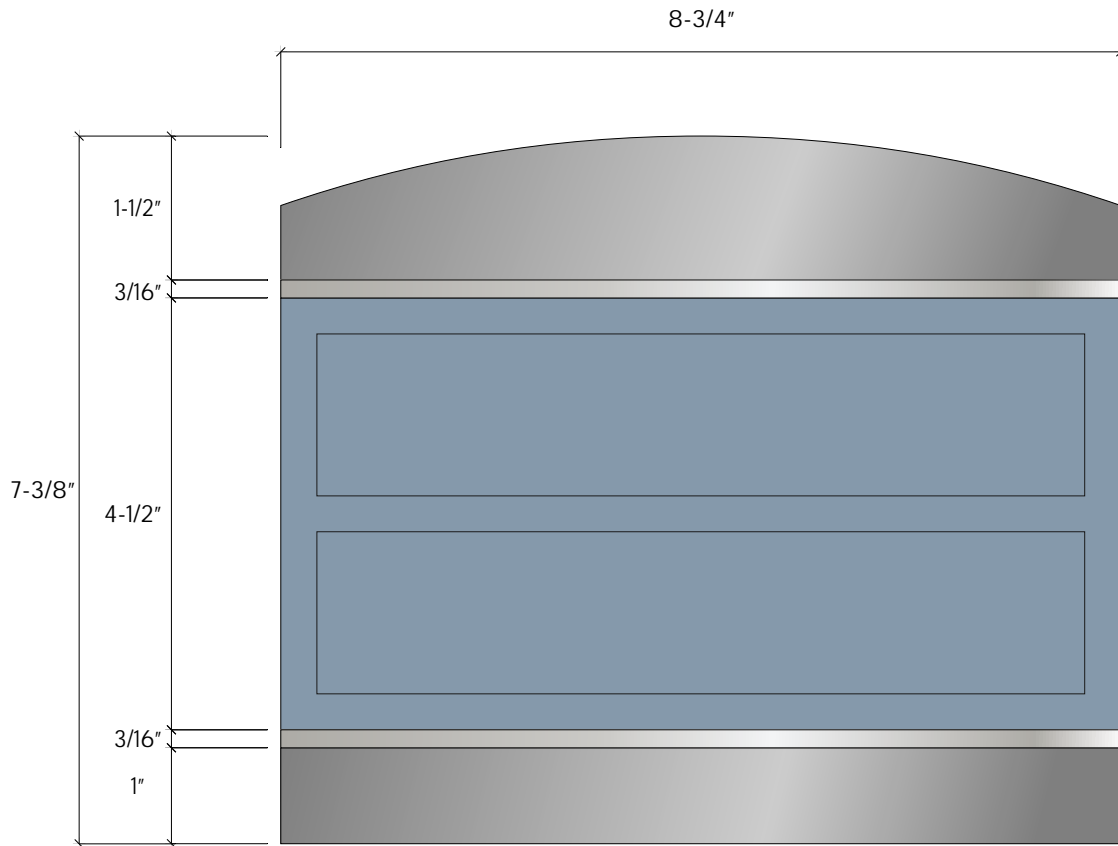
# 5.5



## Interior

This drawing and the ideas expressed remain the confidential property of INNERFACE. This drawing and its ideas are not to be reproduced, copied, or disclosed to any other person or entity without the express written consent of a representative or agent of INNERFACE.

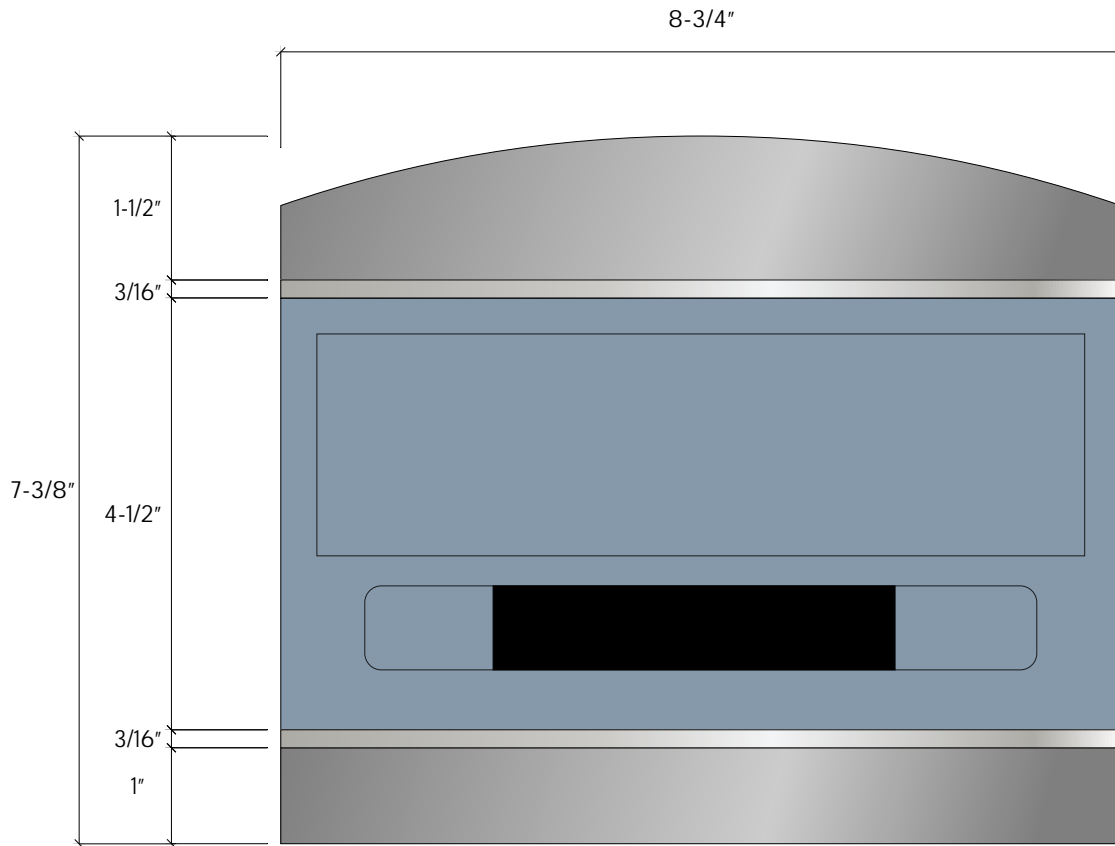
## 5.6



### Interior

This drawing and the ideas expressed remain the confidential property of INNERFACE. This drawing and its ideas are not to be reproduced, copied, or disclosed to any other person or entity without the express written consent of a representative or agent of INNERFACE.

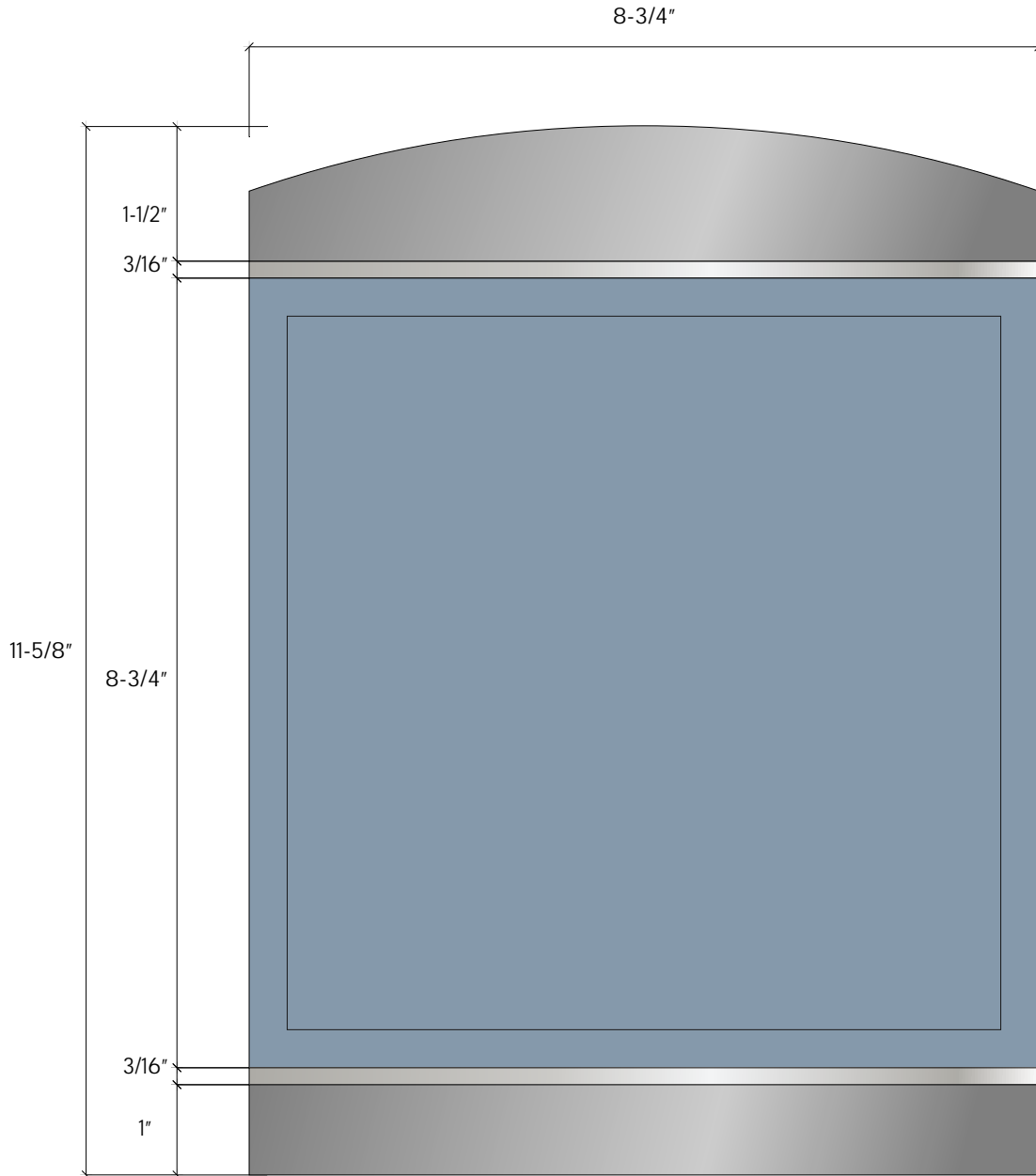
# 5.7



## Interior

This drawing and the ideas expressed remain the confidential property of INNERFACE. This drawing and its ideas are not to be reproduced, copied, or disclosed to any other person or entity without the express written consent of a representative or agent of INNERFACE.

# 6.0

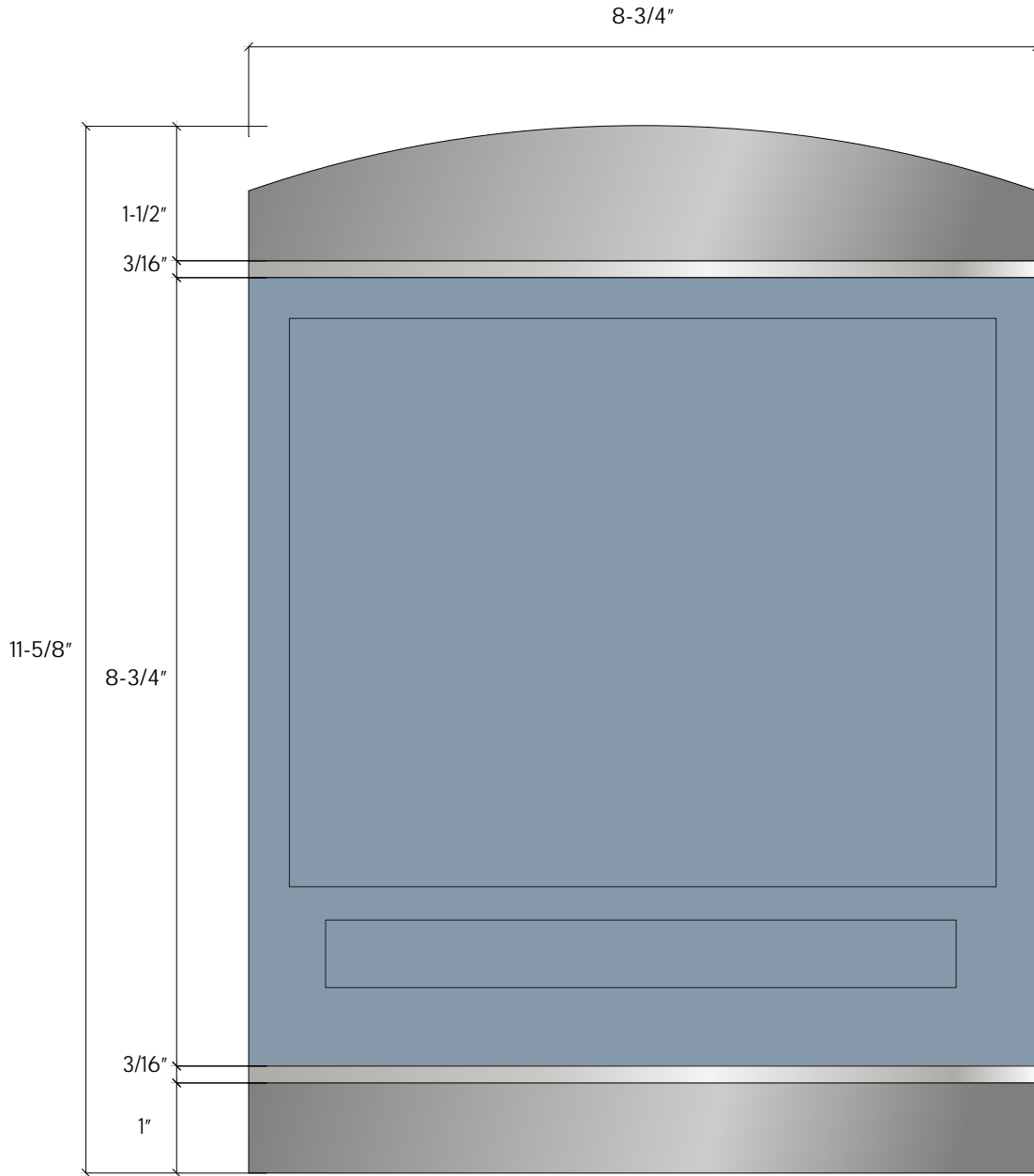


## Interior

This drawing and the ideas expressed remain the confidential property of INNERFACE. This drawing and its ideas are not to be reproduced, copied, or disclosed to any other person or entity without the express written consent of a representative or agent of INNERFACE.



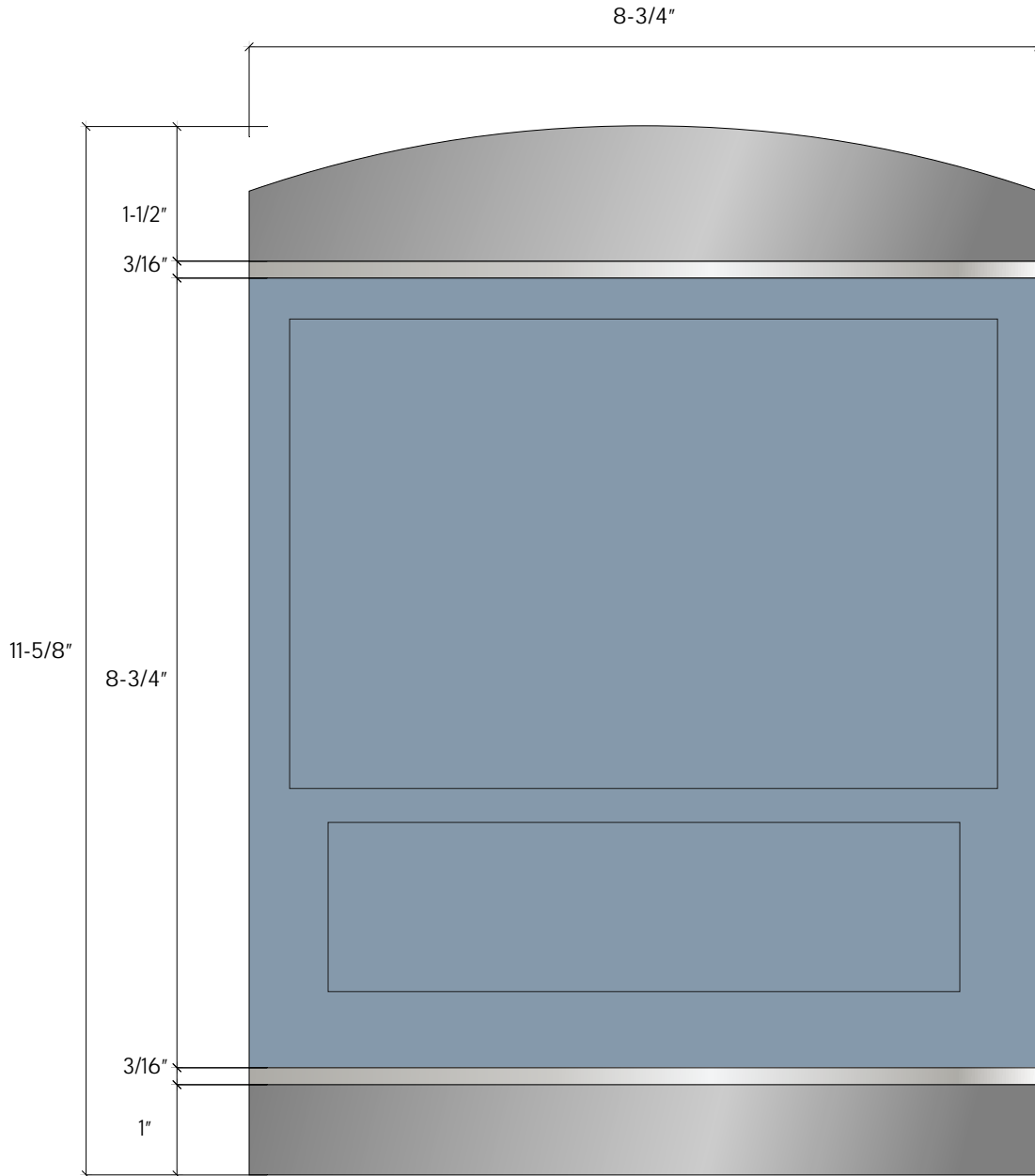
# 6.11



## Interior

This drawing and the ideas expressed remain the confidential property of INNERFACE. This drawing and its ideas are not to be reproduced, copied, or disclosed to any other person or entity without the express written consent of a representative or agent of INNERFACE.

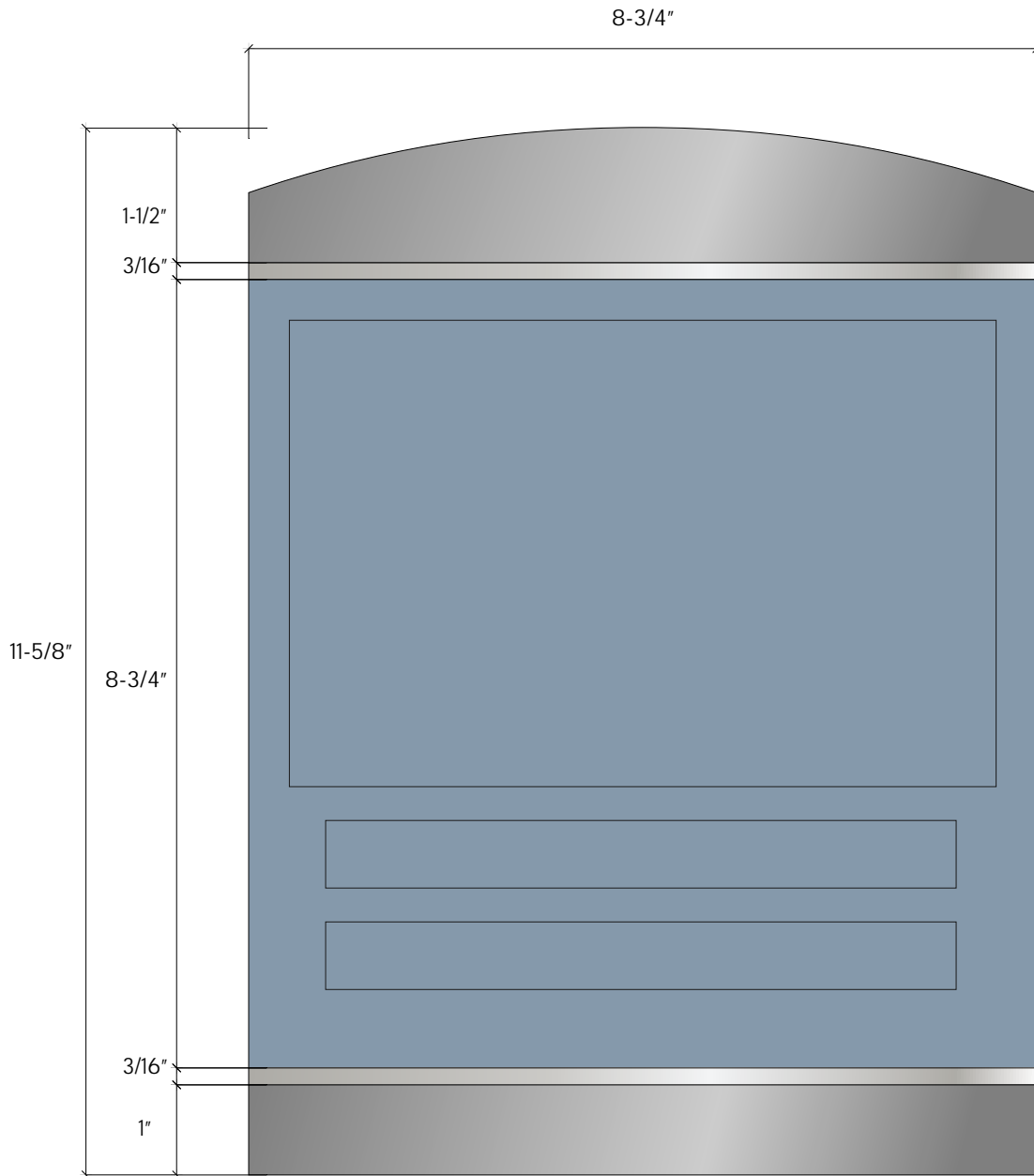
# 6.11E



## Interior

This drawing and the ideas expressed remain the confidential property of INNERFACE. This drawing and its ideas are not to be reproduced, copied, or disclosed to any other person or entity without the express written consent of a representative or agent of INNERFACE.

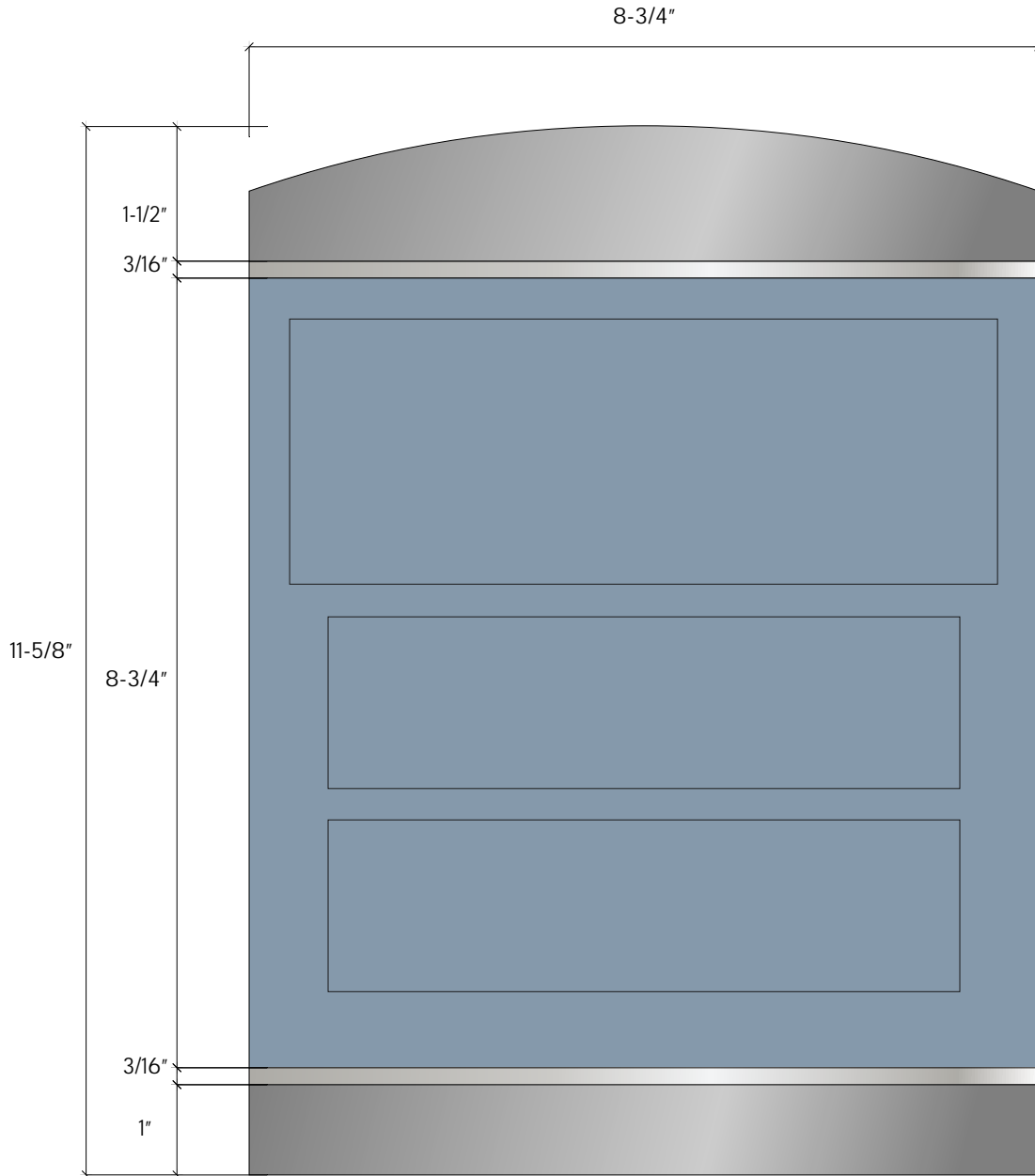
# 6.22



## Interior

This drawing and the ideas expressed remain the confidential property of INNERFACE. This drawing and its ideas are not to be reproduced, copied, or disclosed to any other person or entity without the express written consent of a representative or agent of INNERFACE.

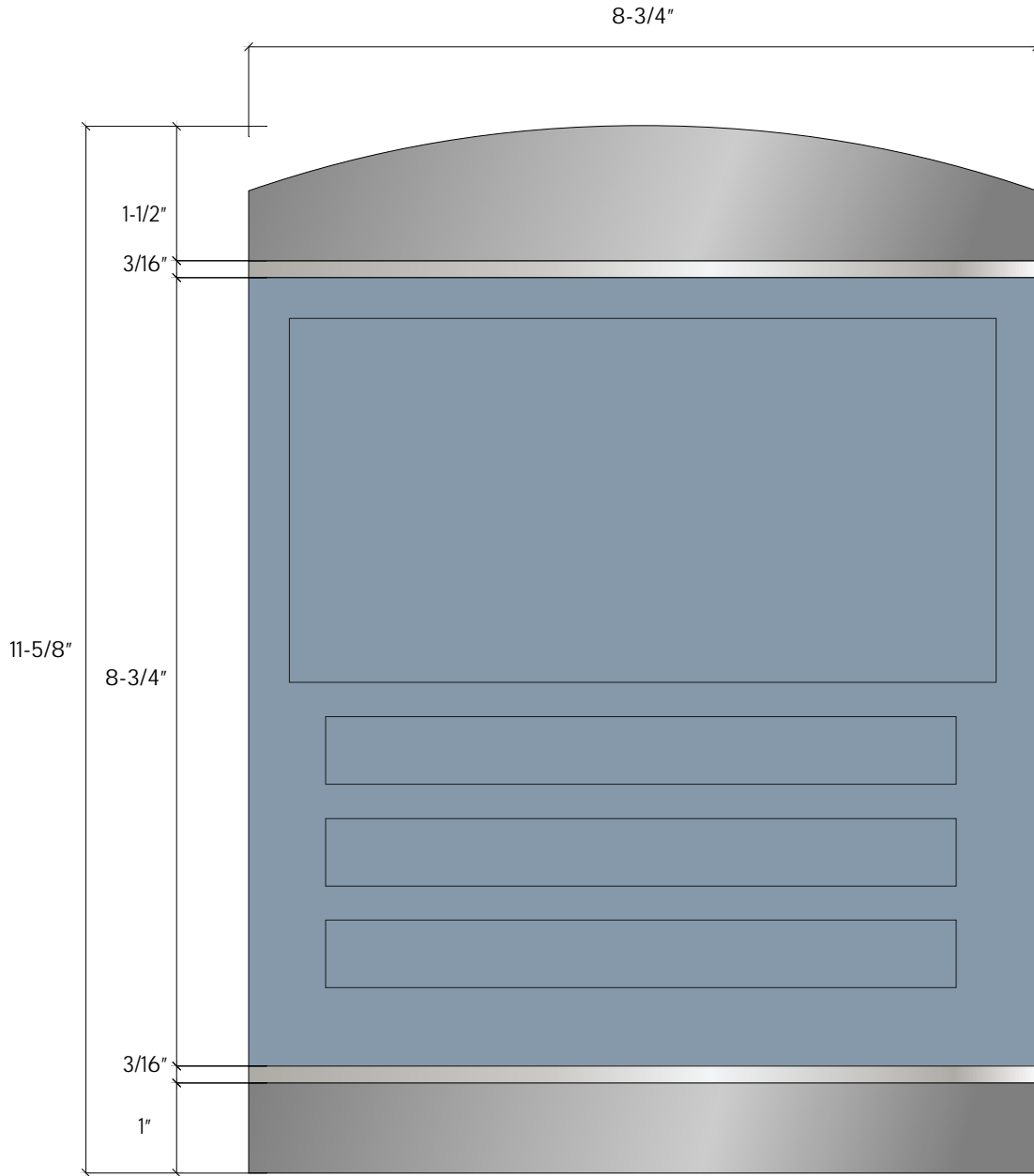
## 6.22E



### Interior

This drawing and the ideas expressed remain the confidential property of INNERFACE. This drawing and its ideas are not to be reproduced, copied, or disclosed to any other person or entity without the express written consent of a representative or agent of INNERFACE.

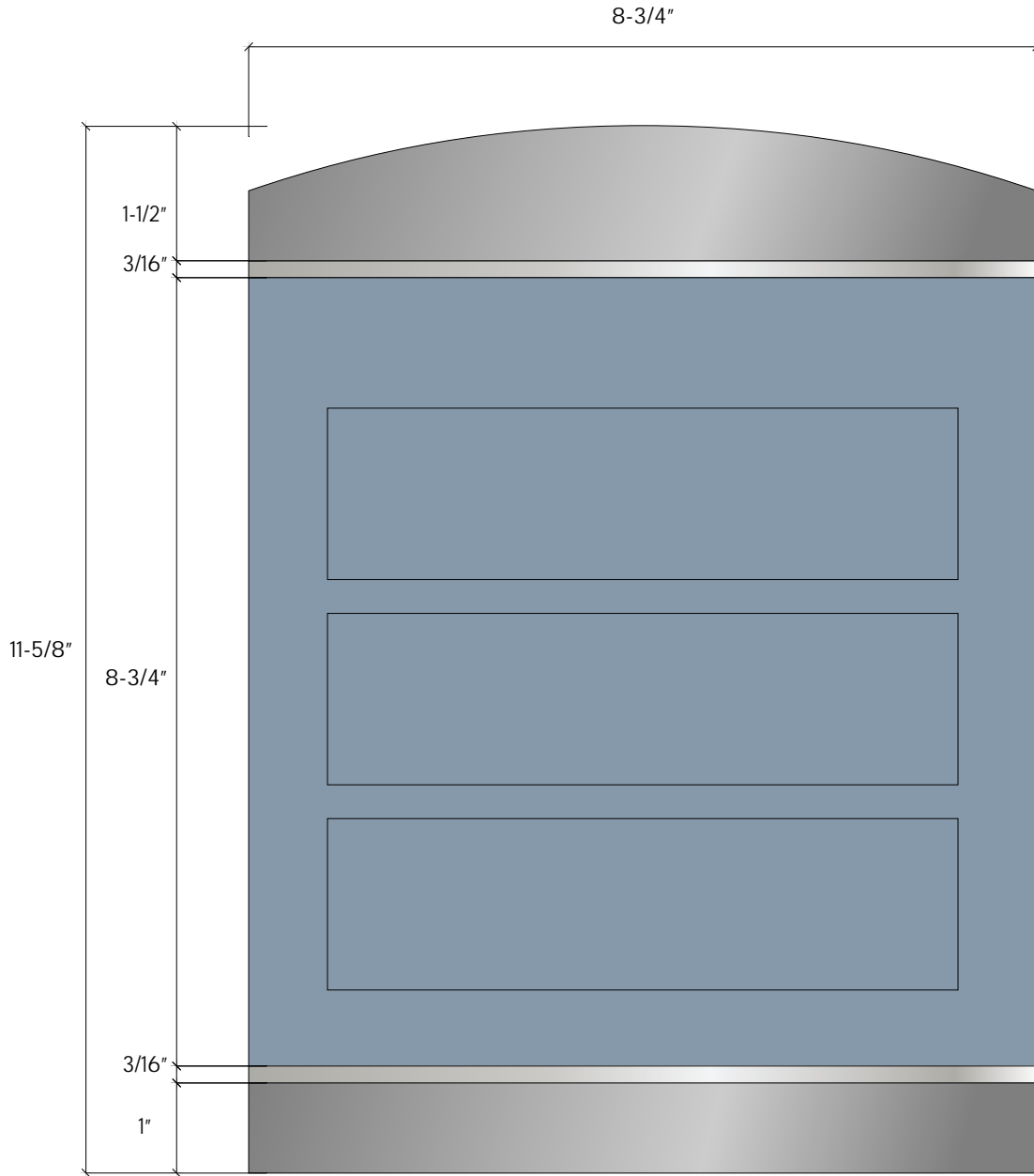
# 6.33



## Interior

This drawing and the ideas expressed remain the confidential property of INNERFACE. This drawing and its ideas are not to be reproduced, copied, or disclosed to any other person or entity without the express written consent of a representative or agent of INNERFACE.

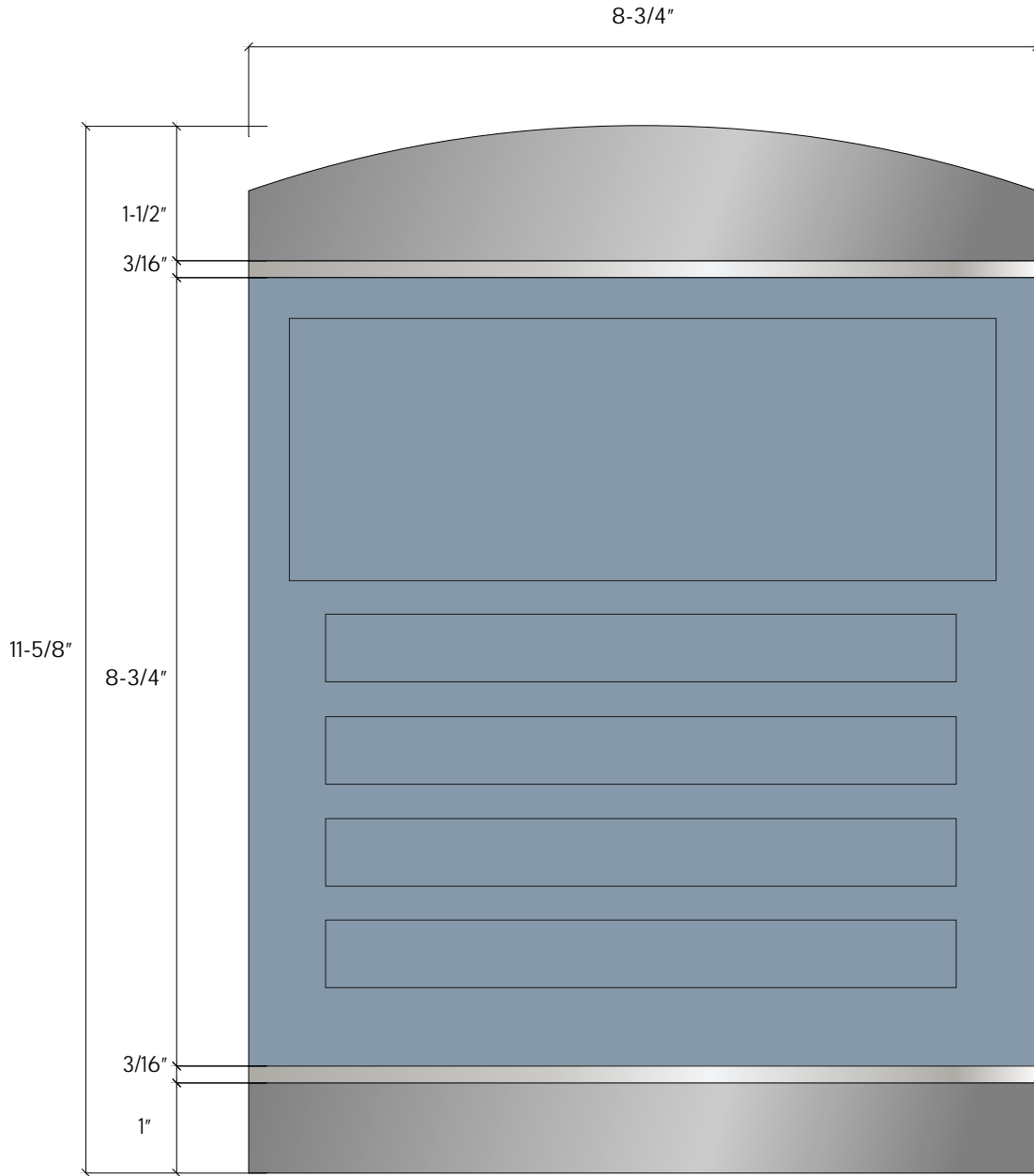
# 6.33E



## Interior

This drawing and the ideas expressed remain the confidential property of INNERFACE. This drawing and its ideas are not to be reproduced, copied, or disclosed to any other person or entity without the express written consent of a representative or agent of INNERFACE.

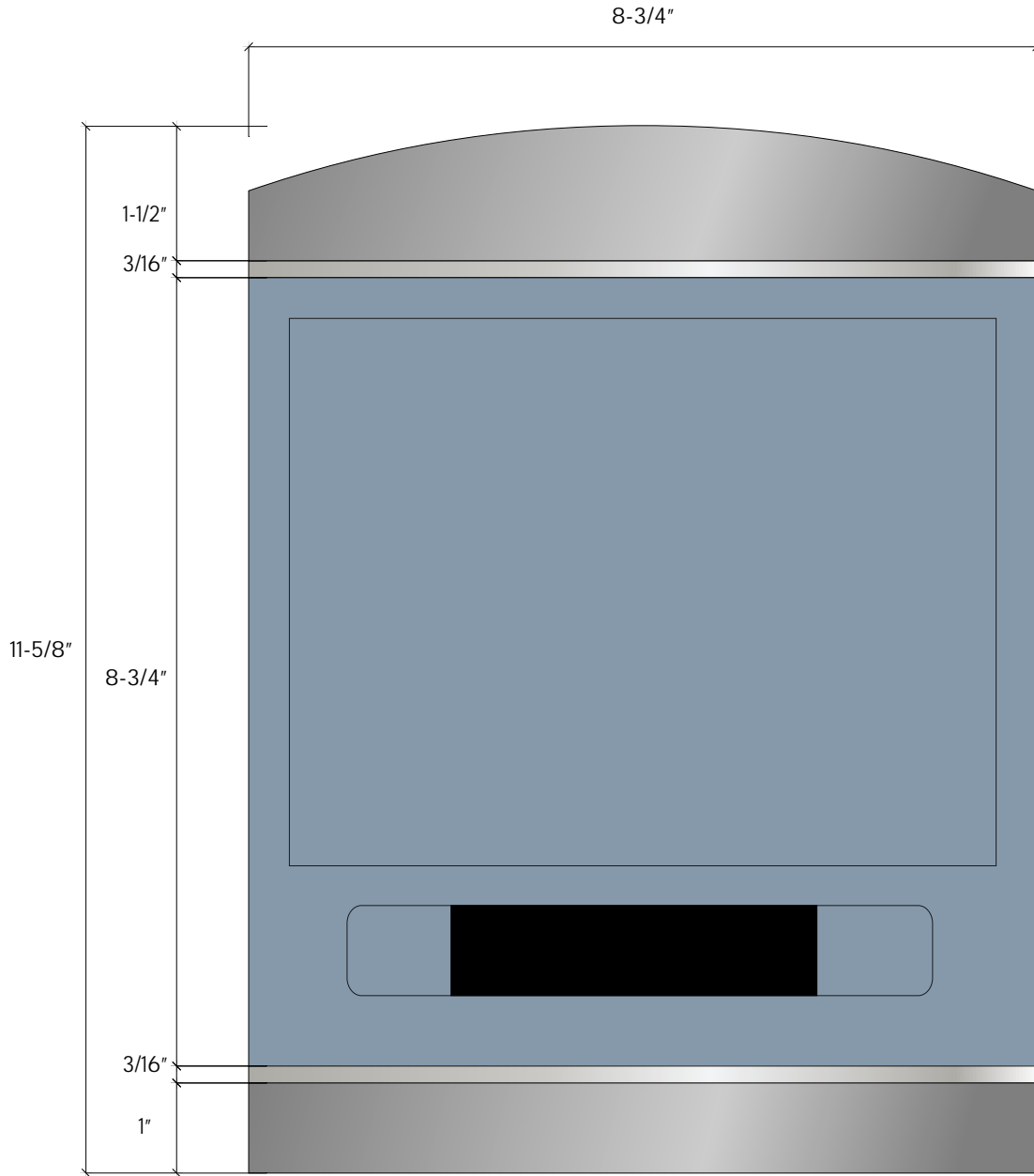
# 6.44



## Interior

This drawing and the ideas expressed remain the confidential property of INNERFACE. This drawing and its ideas are not to be reproduced, copied, or disclosed to any other person or entity without the express written consent of a representative or agent of INNERFACE.

# 6.5

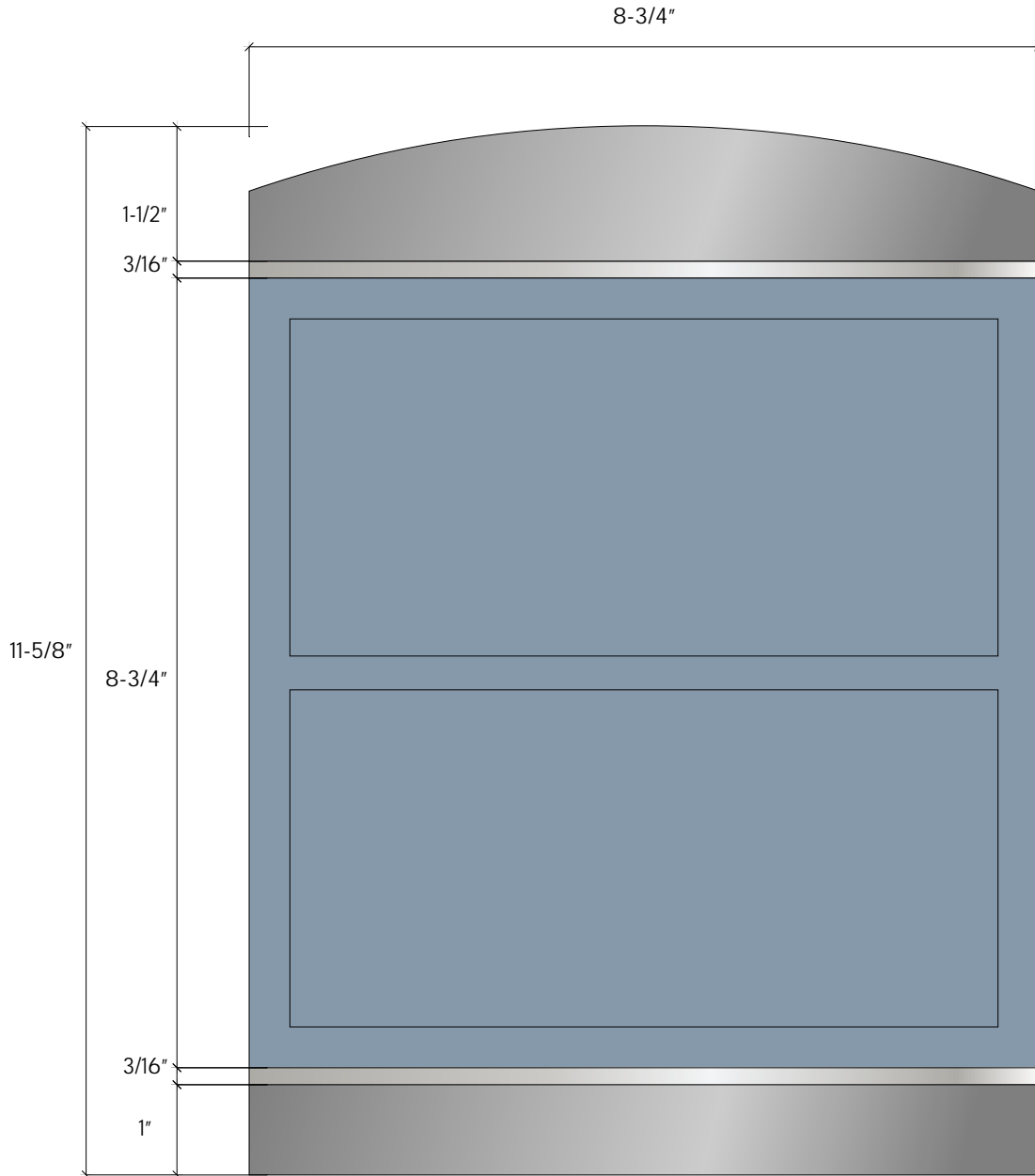


## Interior

This drawing and the ideas expressed remain the confidential property of INNERFACE. This drawing and its ideas are not to be reproduced, copied, or disclosed to any other person or entity without the express written consent of a representative or agent of INNERFACE.



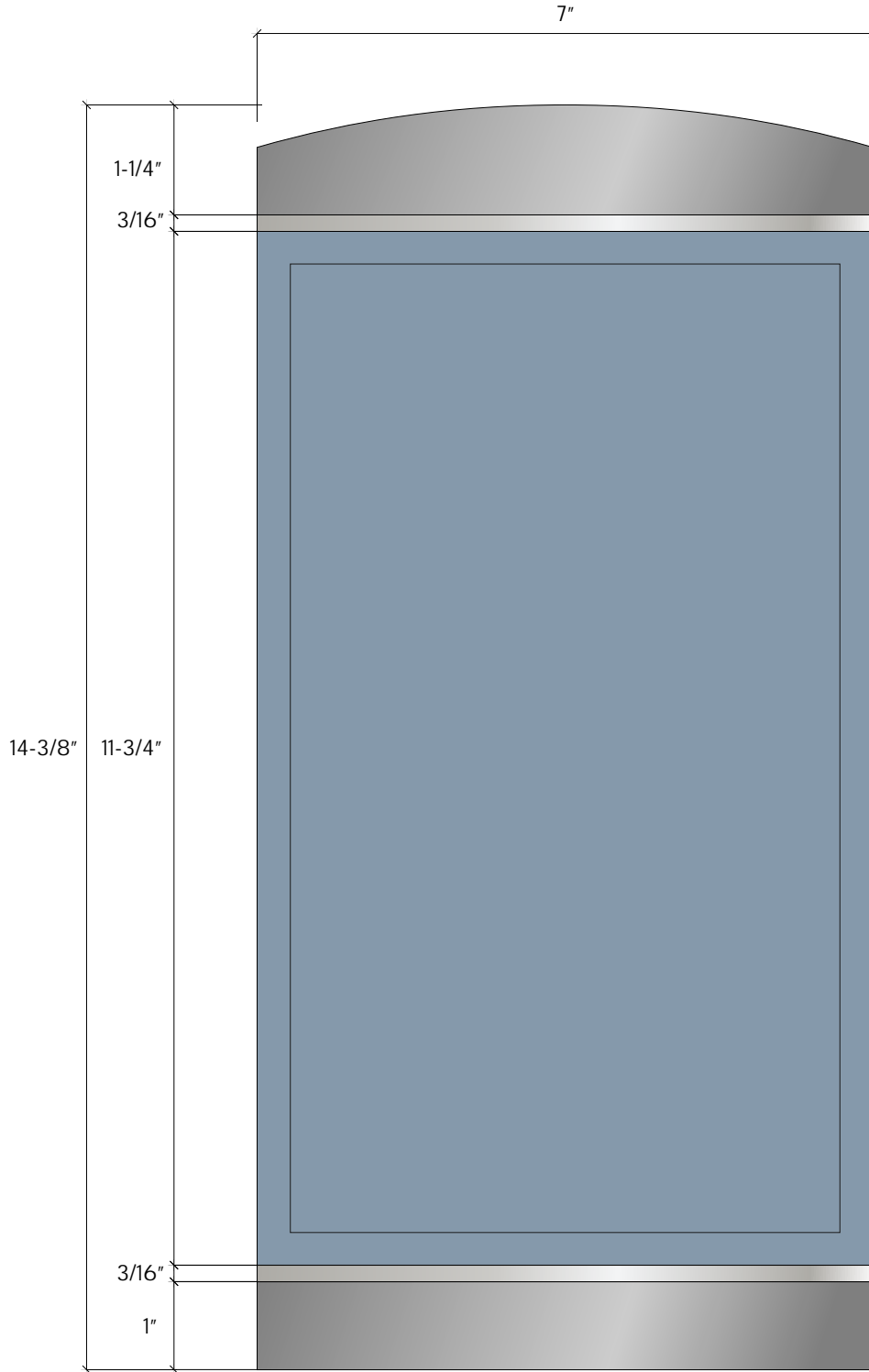
## 6.6



### Interior

This drawing and the ideas expressed remain the confidential property of INNERFACE. This drawing and its ideas are not to be reproduced, copied, or disclosed to any other person or entity without the express written consent of a representative or agent of INNERFACE.

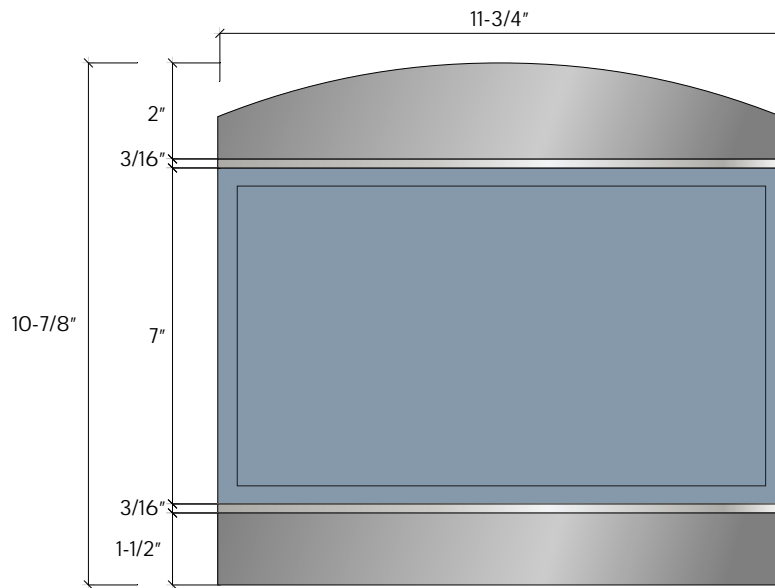
# 7.0V



## Interior

This drawing and the ideas expressed remain the confidential property of INNERFACE. This drawing and its ideas are not to be reproduced, copied, or disclosed to any other person or entity without the express written consent of a representative or agent of INNERFACE.

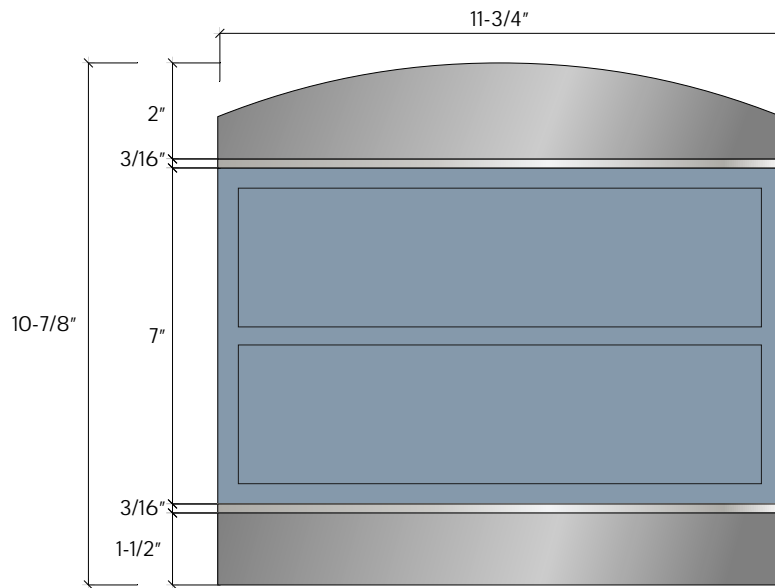
# 7.0



## Interior

This drawing and the ideas expressed remain the confidential property of INNERFACE. This drawing and its ideas are not to be reproduced, copied, or disclosed to any other person or entity without the express written consent of a representative or agent of INNERFACE.

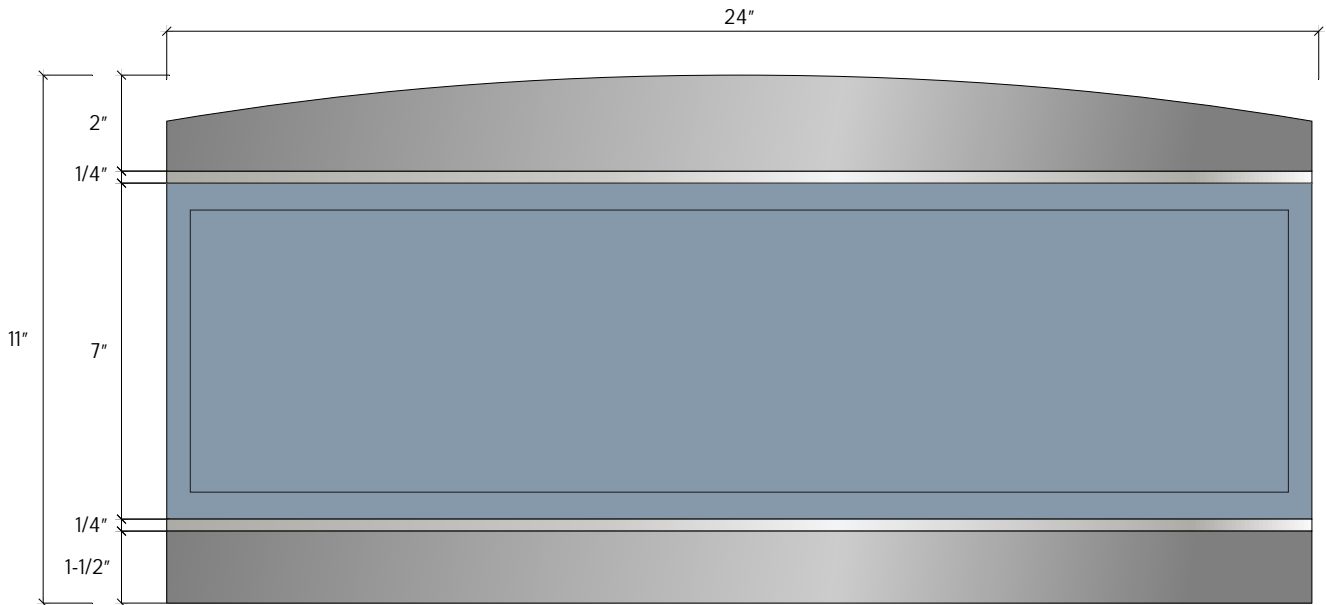
# 7.1



## Interior

This drawing and the ideas expressed remain the confidential property of INNERFACE. This drawing and its ideas are not to be reproduced, copied, or disclosed to any other person or entity without the express written consent of a representative or agent of INNERFACE.

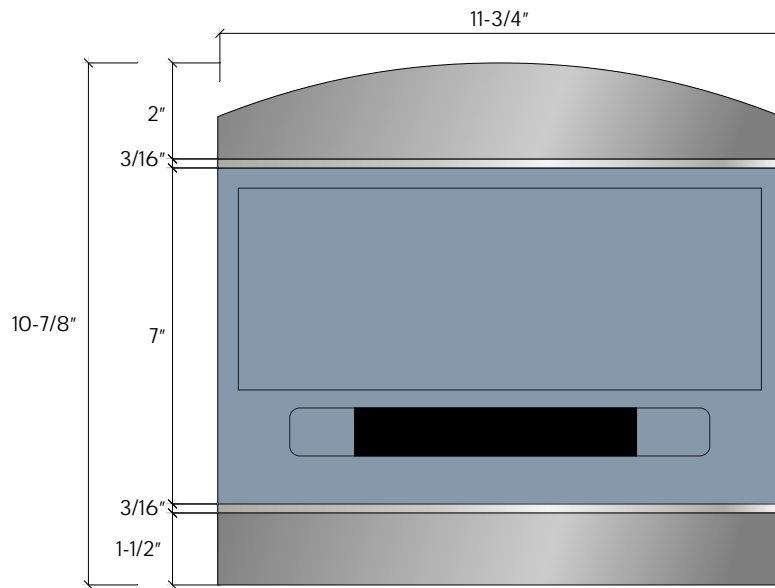
# 7.24



## Interior

This drawing and the ideas expressed remain the confidential property of INNERFACE. This drawing and its ideas are not to be reproduced, copied, or disclosed to any other person or entity without the express written consent of a representative or agent of INNERFACE.

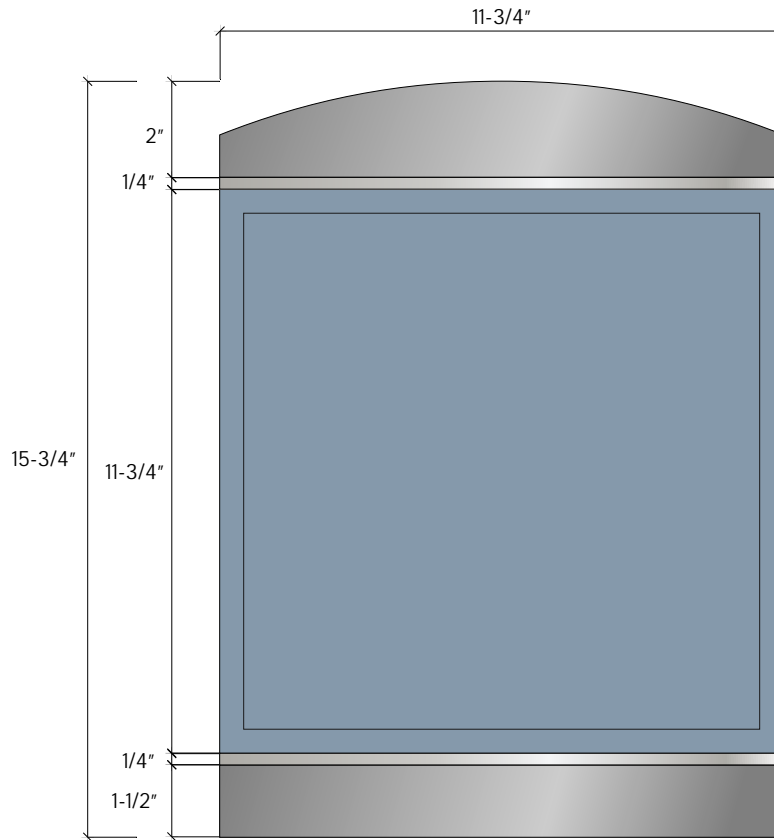
# 7.5



## Interior

This drawing and the ideas expressed remain the confidential property of INNERFACE. This drawing and its ideas are not to be reproduced, copied, or disclosed to any other person or entity without the express written consent of a representative or agent of INNERFACE.

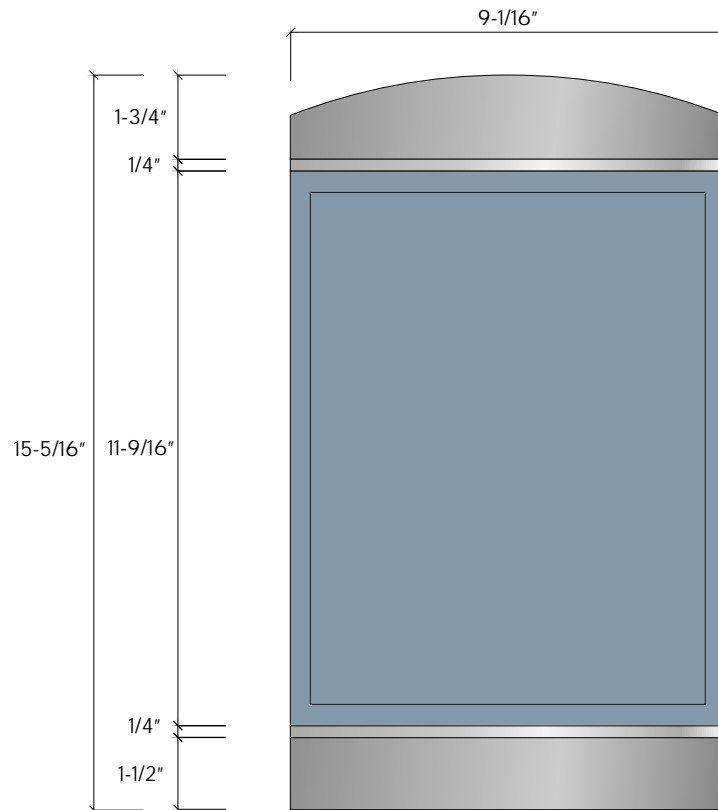
# 8.0



## Interior

This drawing and the ideas expressed remain the confidential property of INNERFACE. This drawing and its ideas are not to be reproduced, copied, or disclosed to any other person or entity without the express written consent of a representative or agent of INNERFACE.

# 8.11

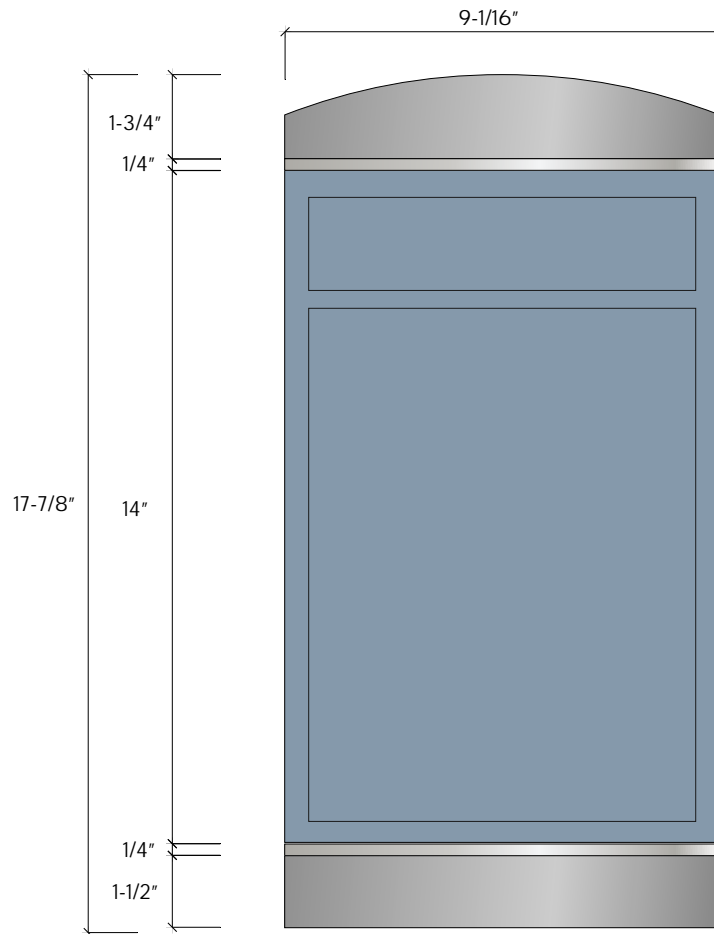


## Interior

This drawing and the ideas expressed remain the confidential property of INNERFACE. This drawing and its ideas are not to be reproduced, copied, or disclosed to any other person or entity without the express written consent of a representative or agent of INNERFACE.



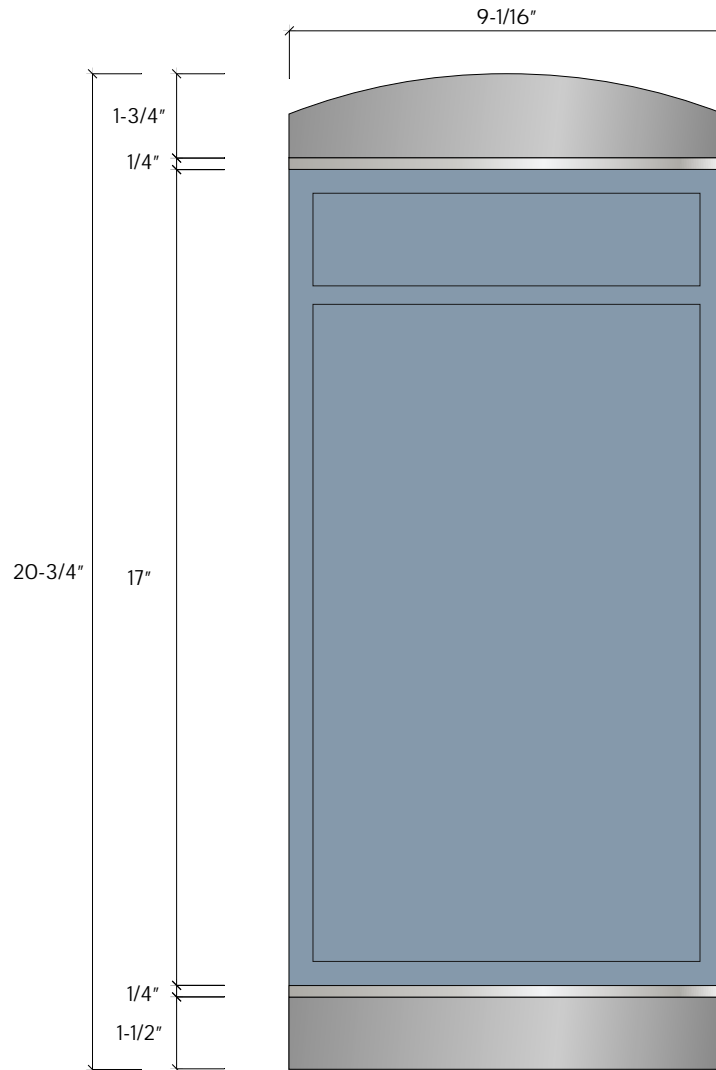
# 8.12



## Interior

This drawing and the ideas expressed remain the confidential property of INNERFACE. This drawing and its ideas are not to be reproduced, copied, or disclosed to any other person or entity without the express written consent of a representative or agent of INNERFACE.

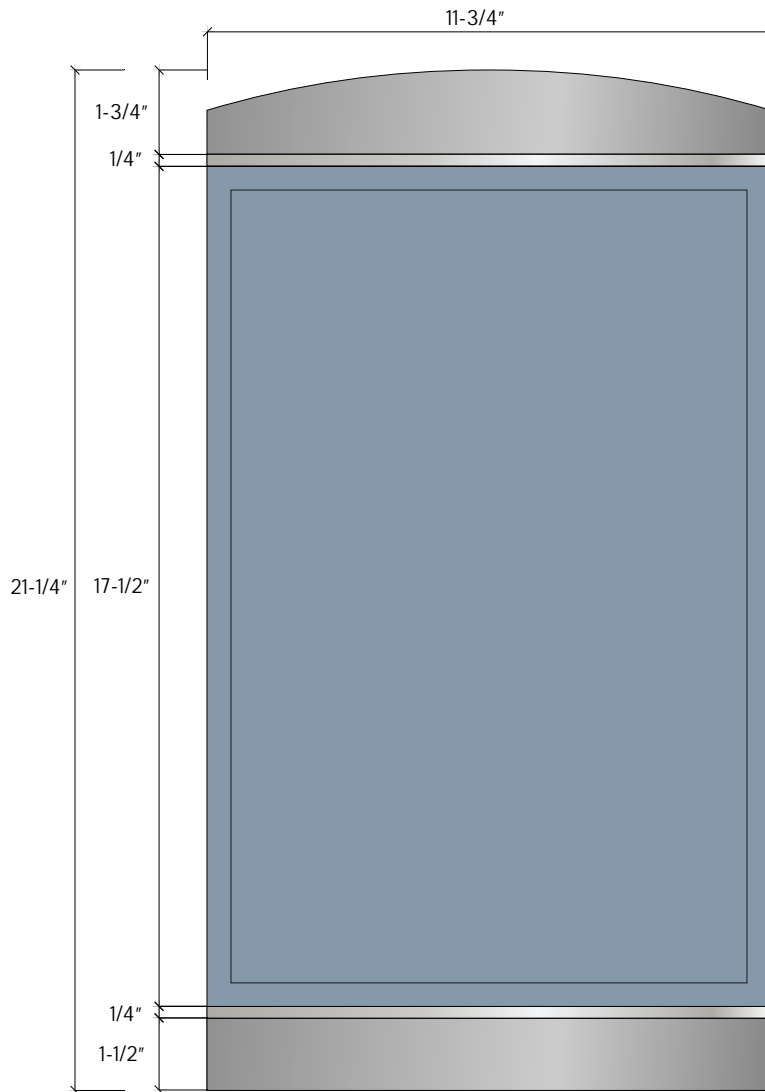
# 8.14



## Interior

This drawing and the ideas expressed remain the confidential property of INNERFACE. This drawing and its ideas are not to be reproduced, copied, or disclosed to any other person or entity without the express written consent of a representative or agent of INNERFACE.

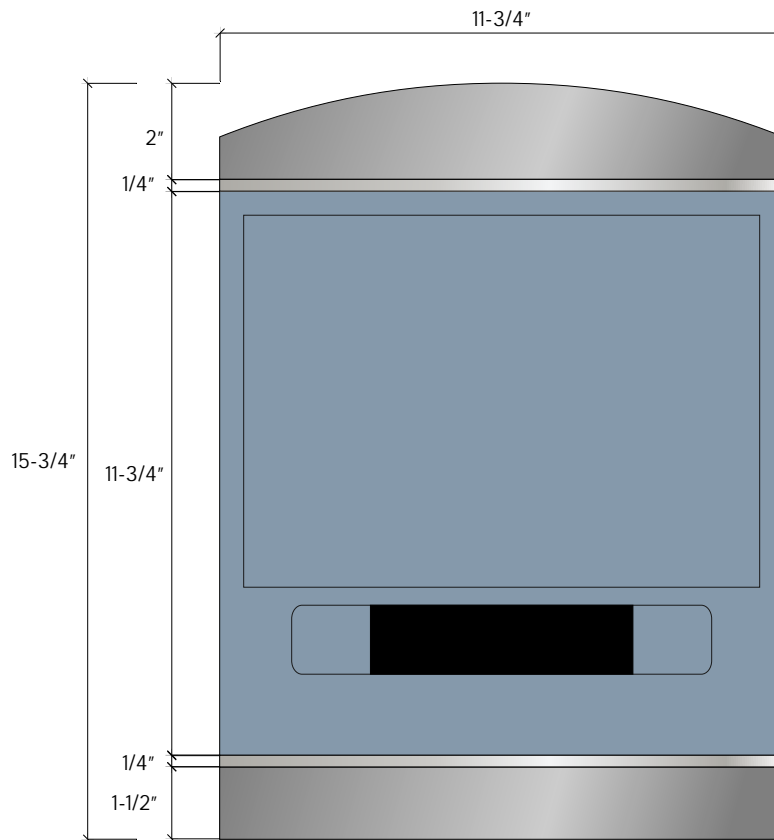
# 8.17



## Interior

This drawing and the ideas expressed remain the confidential property of INTERFACE. This drawing and its ideas are not to be reproduced, copied, or disclosed to any other person or entity without the express written consent of a representative or agent of INTERFACE.

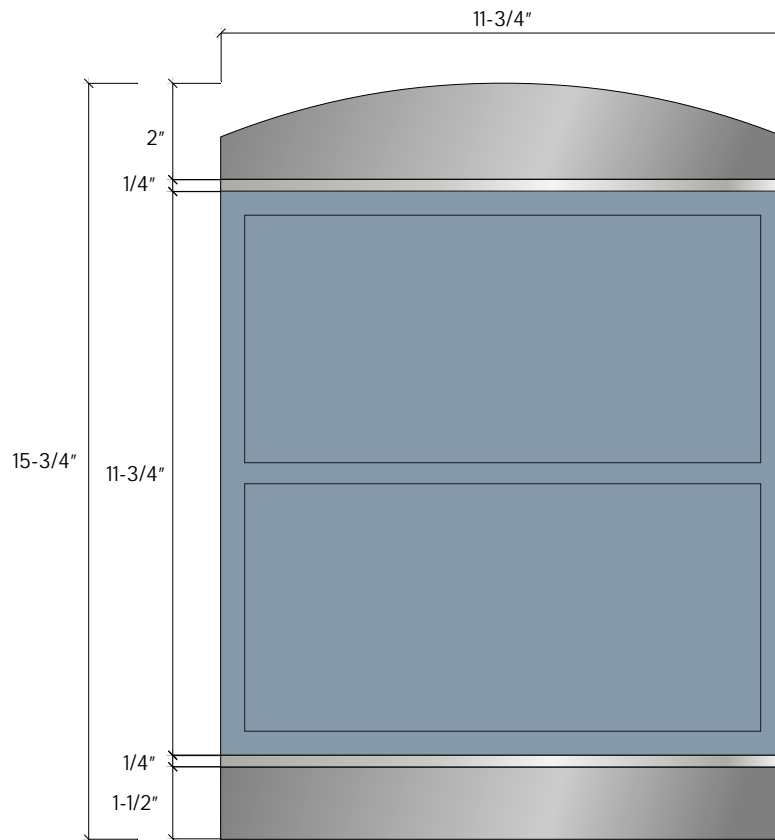
# 8.5



## Interior

This drawing and the ideas expressed remain the confidential property of INNERFACE. This drawing and its ideas are not to be reproduced, copied, or disclosed to any other person or entity without the express written consent of a representative or agent of INNERFACE.

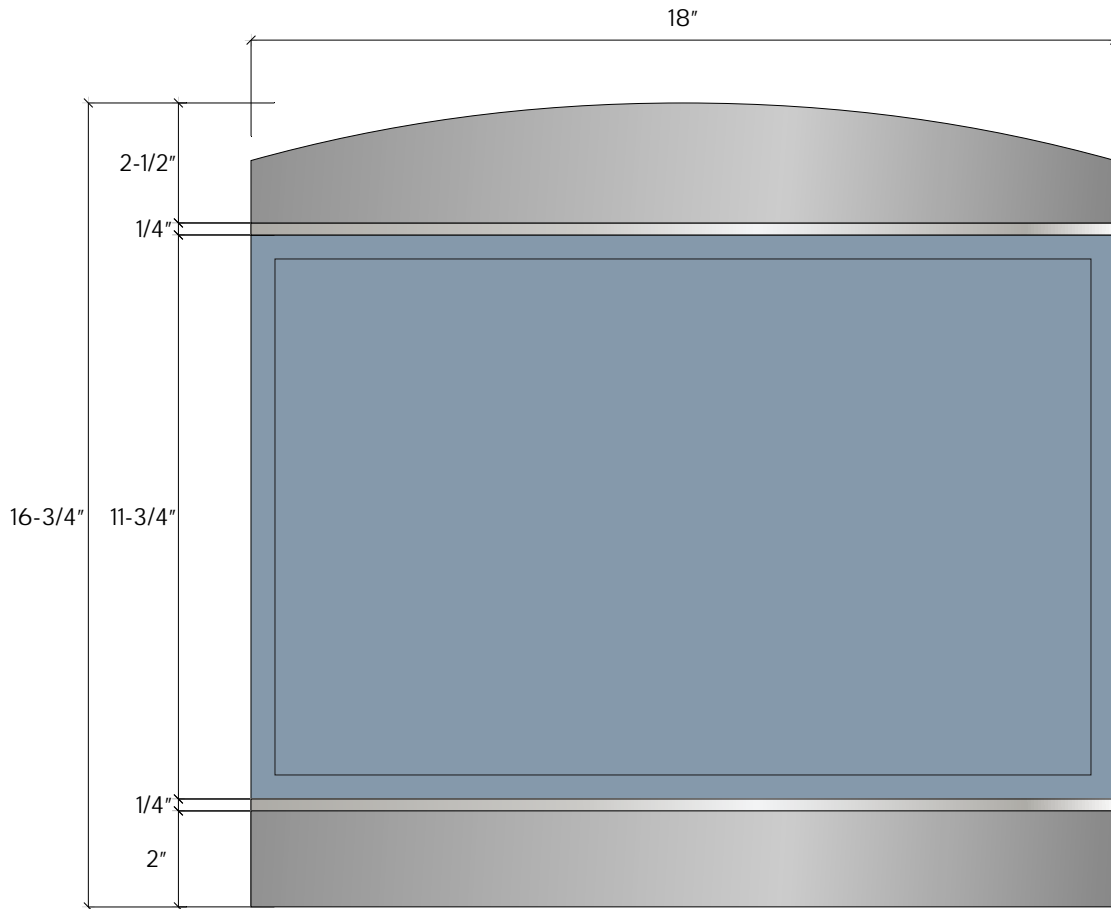
## 8.6



### Interior

This drawing and the ideas expressed remain the confidential property of INNERFACE. This drawing and its ideas are not to be reproduced, copied, or disclosed to any other person or entity without the express written consent of a representative or agent of INNERFACE.

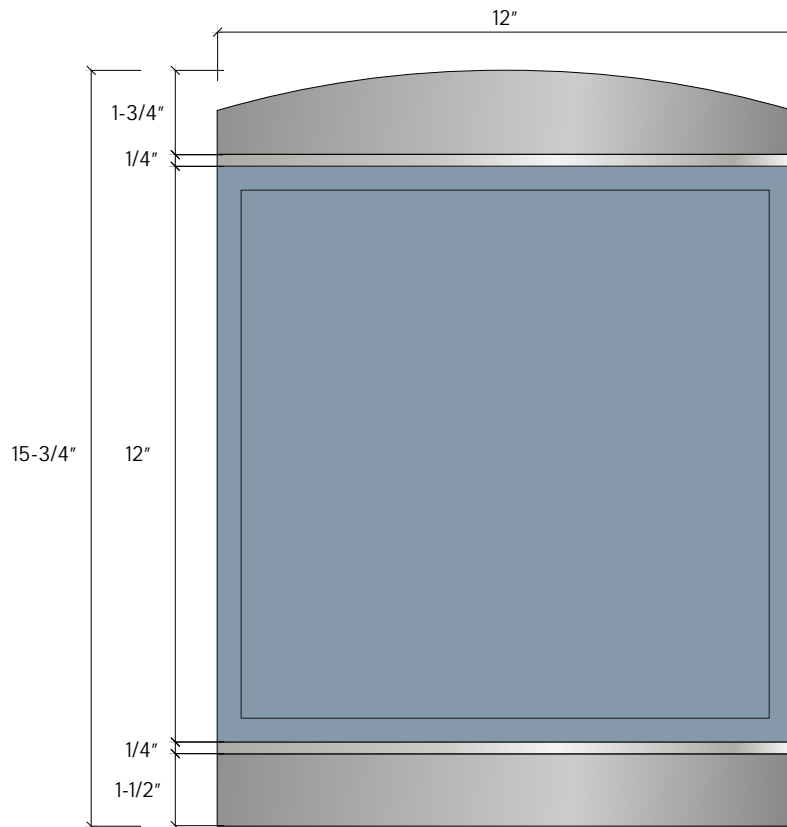
# 8.86



## Interior

This drawing and the ideas expressed remain the confidential property of INNERFACE. This drawing and its ideas are not to be reproduced, copied, or disclosed to any other person or entity without the express written consent of a representative or agent of INNERFACE.

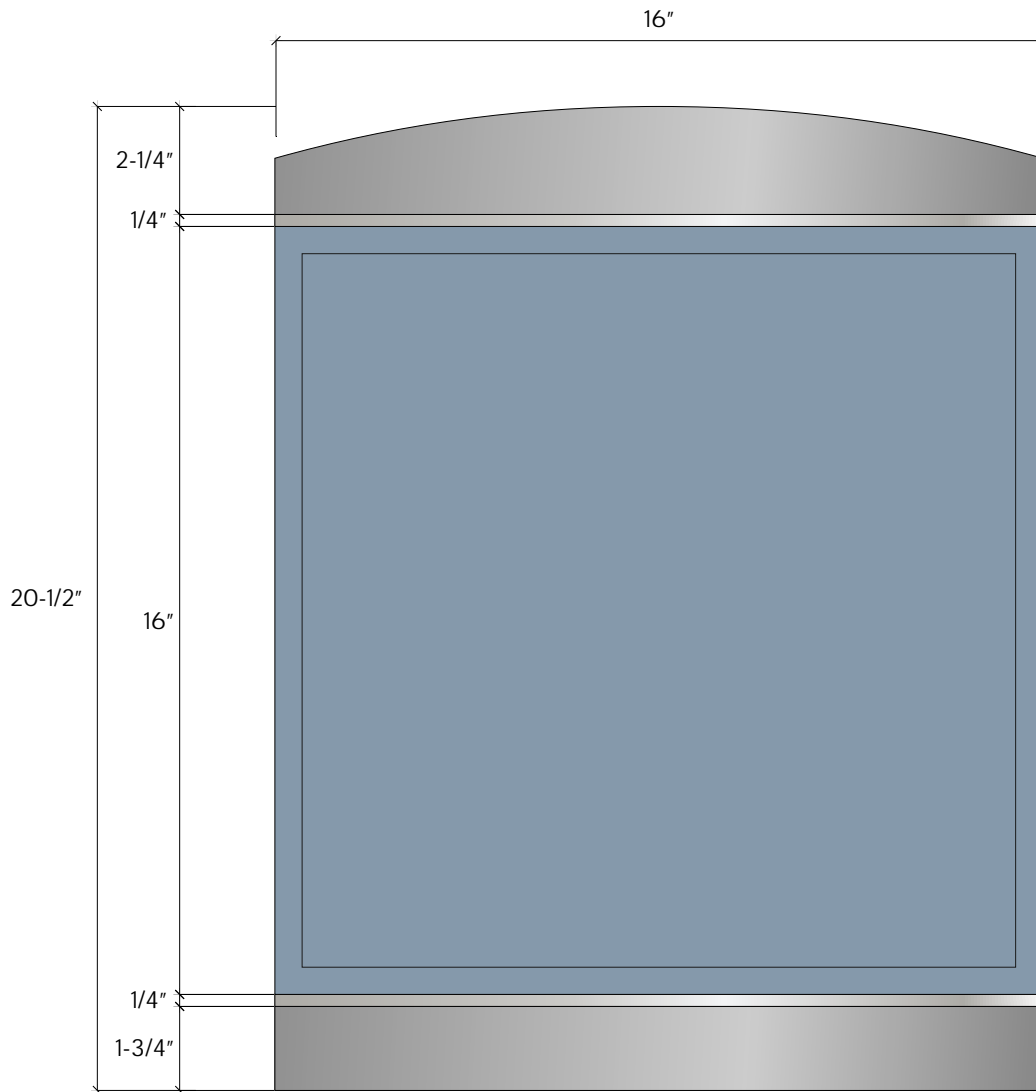
# 8.99



## Interior

This drawing and the ideas expressed remain the confidential property of INNERFACE. This drawing and its ideas are not to be reproduced, copied, or disclosed to any other person or entity without the express written consent of a representative or agent of INNERFACE.

# 9.0

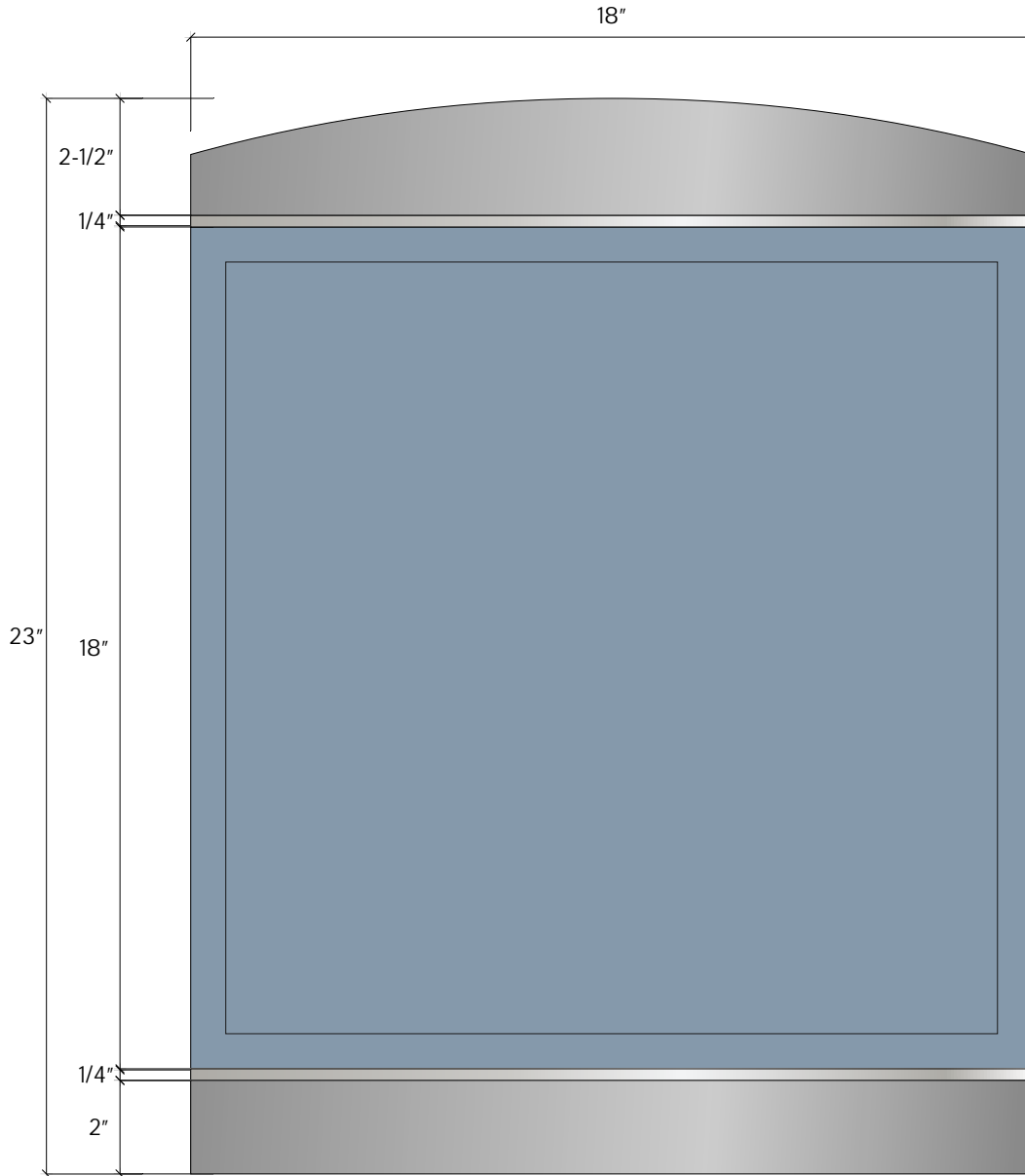


## Interior

This drawing and the ideas expressed remain the confidential property of INNERFACE. This drawing and its ideas are not to be reproduced, copied, or disclosed to any other person or entity without the express written consent of a representative or agent of INNERFACE.



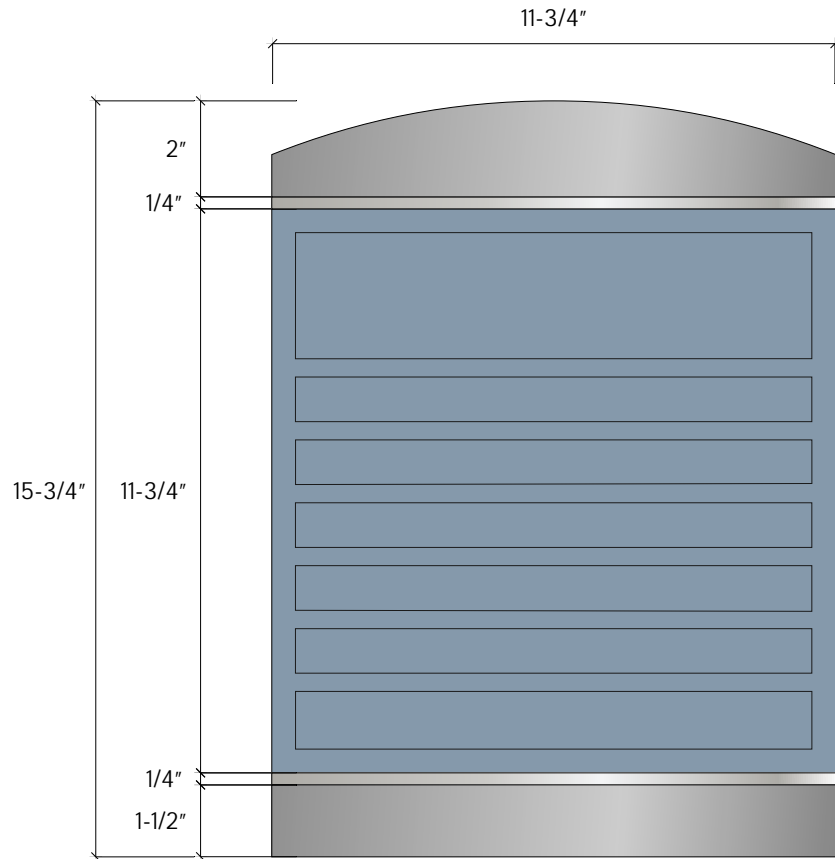
# 9.1



## Interior

This drawing and the ideas expressed remain the confidential property of INNERFACE. This drawing and its ideas are not to be reproduced, copied, or disclosed to any other person or entity without the express written consent of a representative or agent of INNERFACE.

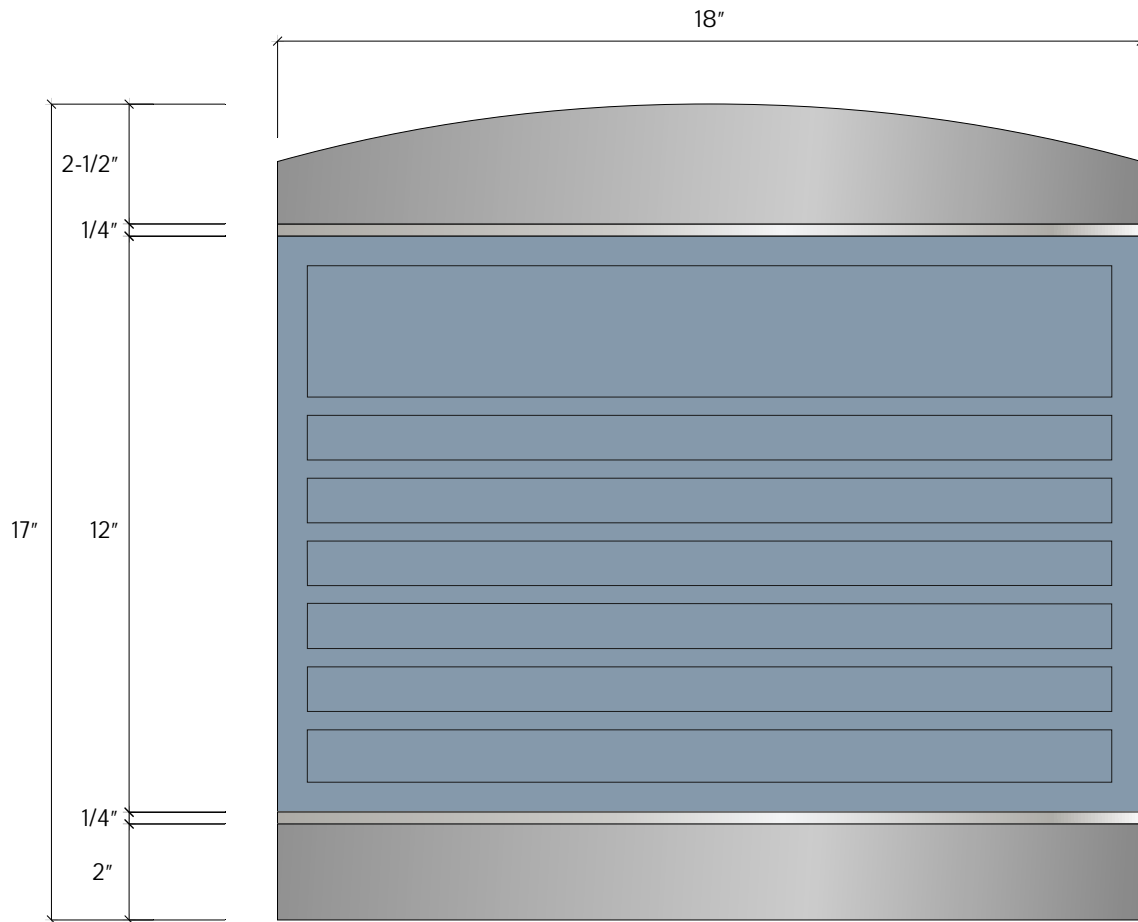
# 10.0



## Interior

This drawing and the ideas expressed remain the confidential property of INNERFACE. This drawing and its ideas are not to be reproduced, copied, or disclosed to any other person or entity without the express written consent of a representative or agent of INNERFACE.

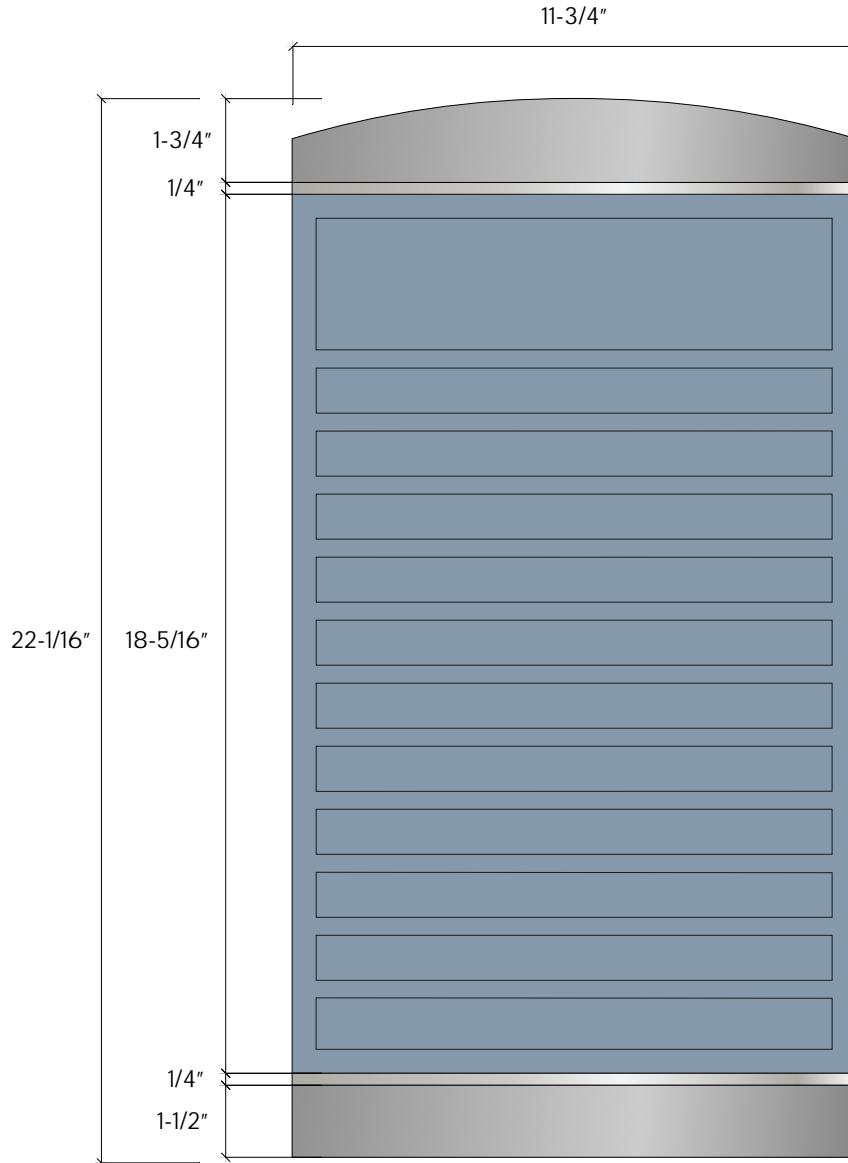
# 10.1



## Interior

This drawing and the ideas expressed remain the confidential property of INNERFACE. This drawing and its ideas are not to be reproduced, copied, or disclosed to any other person or entity without the express written consent of a representative or agent of INNERFACE.

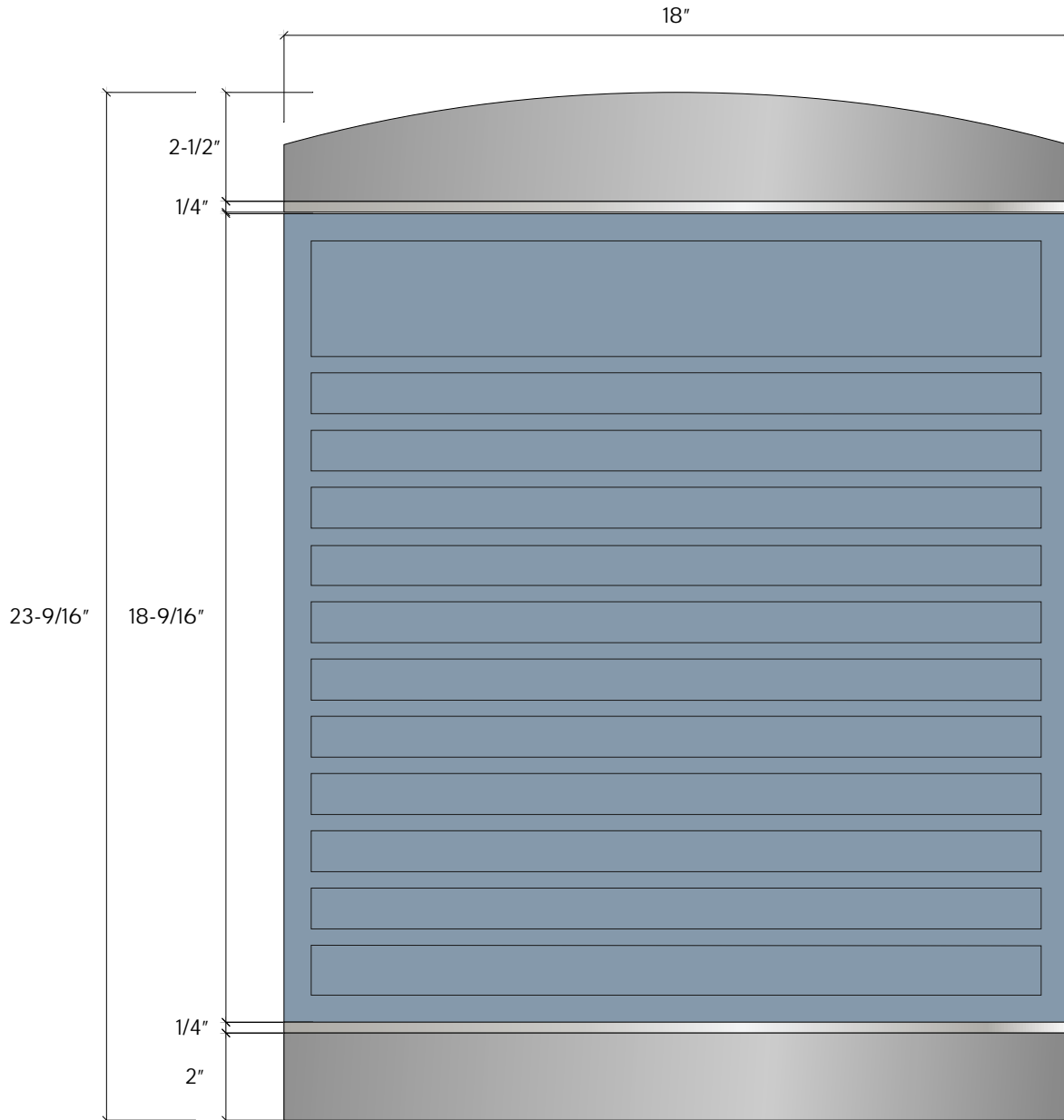
# 11.0



## Interior

This drawing and the ideas expressed remain the confidential property of INNERFACE. This drawing and its ideas are not to be reproduced, copied, or disclosed to any other person or entity without the express written consent of a representative or agent of INNERFACE.

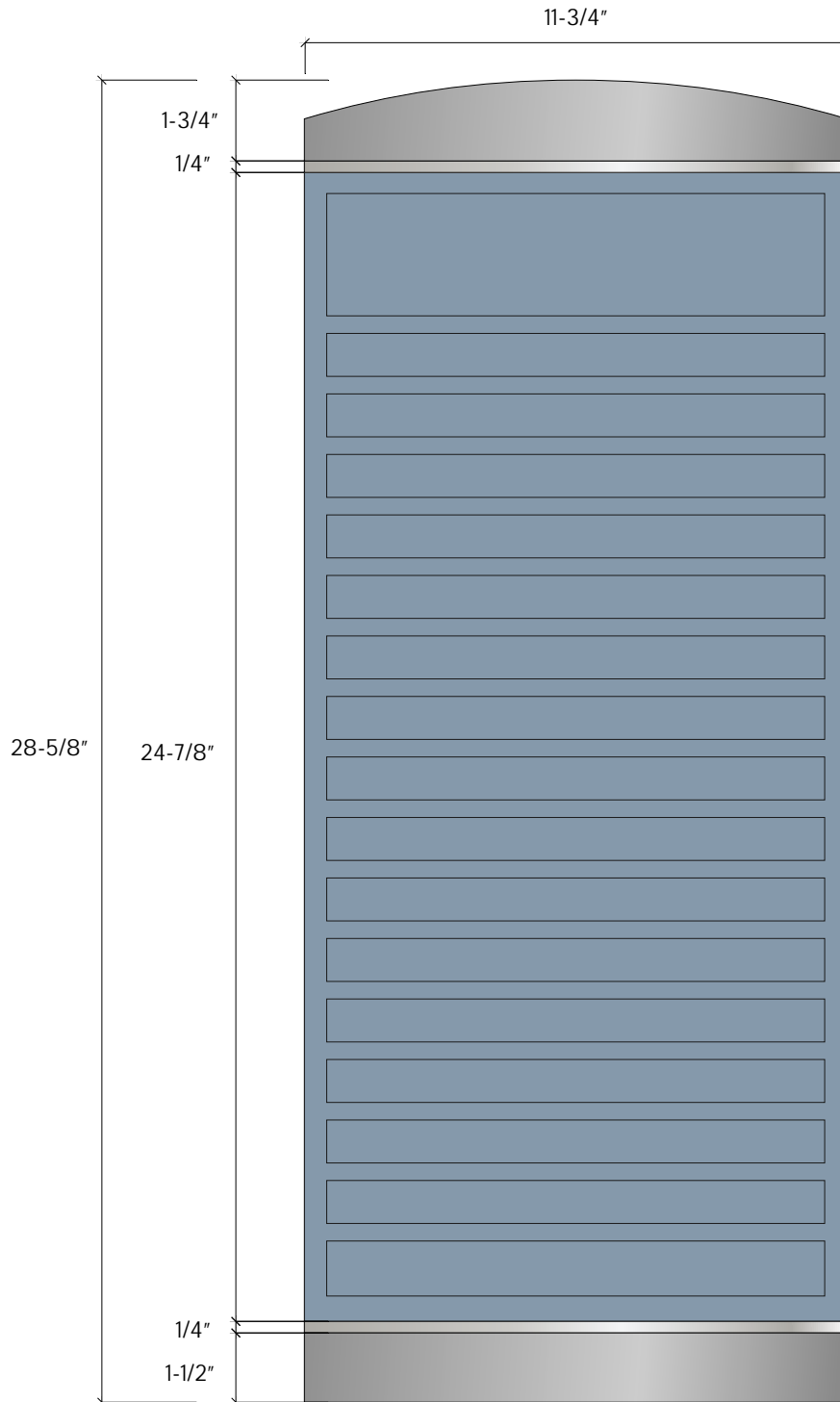
# 11.1



## Interior

This drawing and the ideas expressed remain the confidential property of INNERFACE. This drawing and its ideas are not to be reproduced, copied, or disclosed to any other person or entity without the express written consent of a representative or agent of INNERFACE.

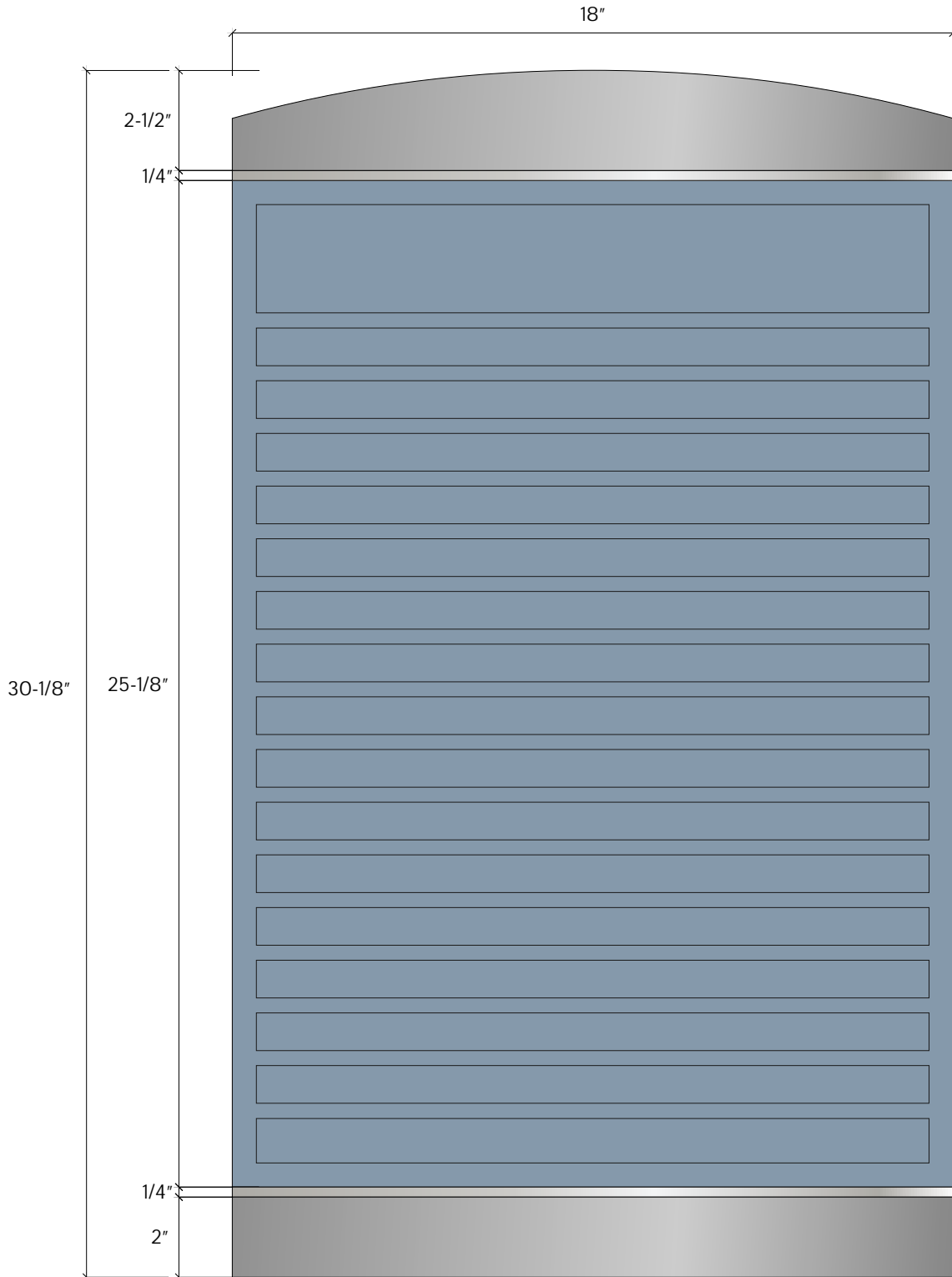
# 12.0



## Interior

This drawing and the ideas expressed remain the confidential property of INNERFACE. This drawing and its ideas are not to be reproduced, copied, or disclosed to any other person or entity without the express written consent of a representative or agent of INNERFACE.

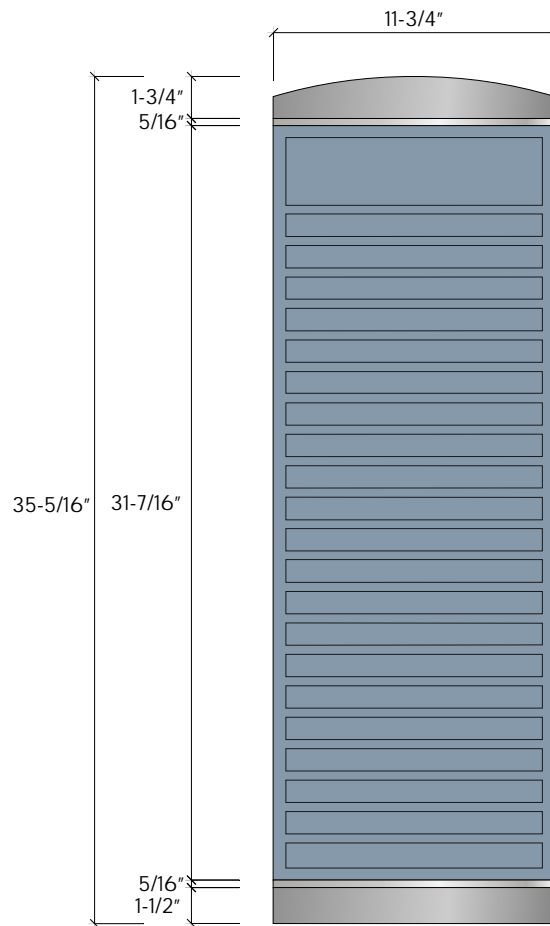
# 12.1



## Interior

This drawing and the ideas expressed remain the confidential property of INNERFACE. This drawing and its ideas are not to be reproduced, copied, or disclosed to any other person or entity without the express written consent of a representative or agent of INNERFACE.

# 13.0

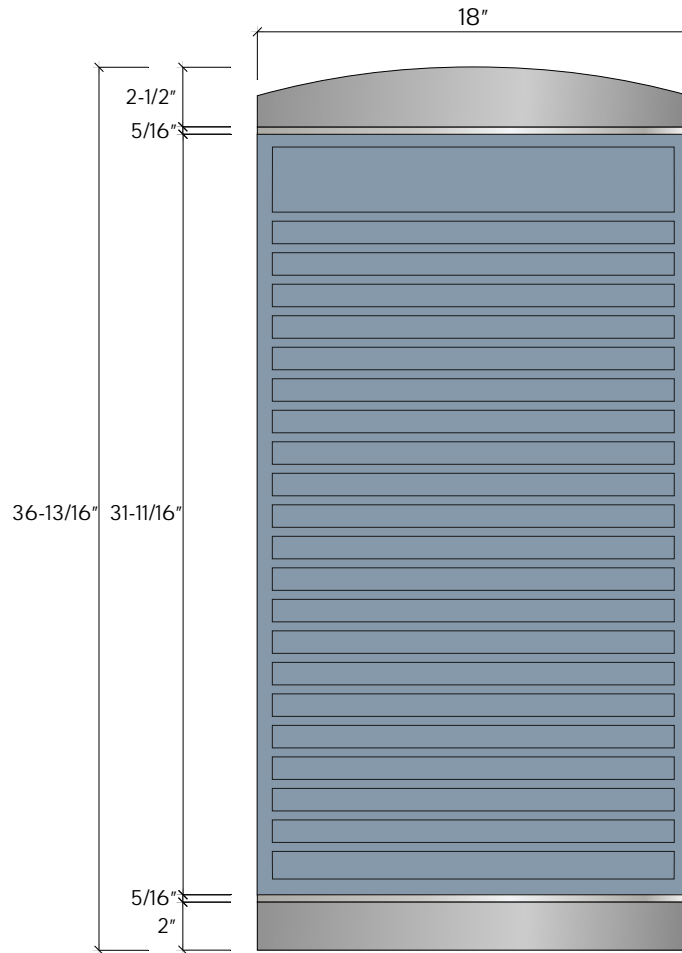


## Interior

This drawing and the ideas expressed remain the confidential property of INNERFACE. This drawing and its ideas are not to be reproduced, copied, or disclosed to any other person or entity without the express written consent of a representative or agent of INNERFACE.



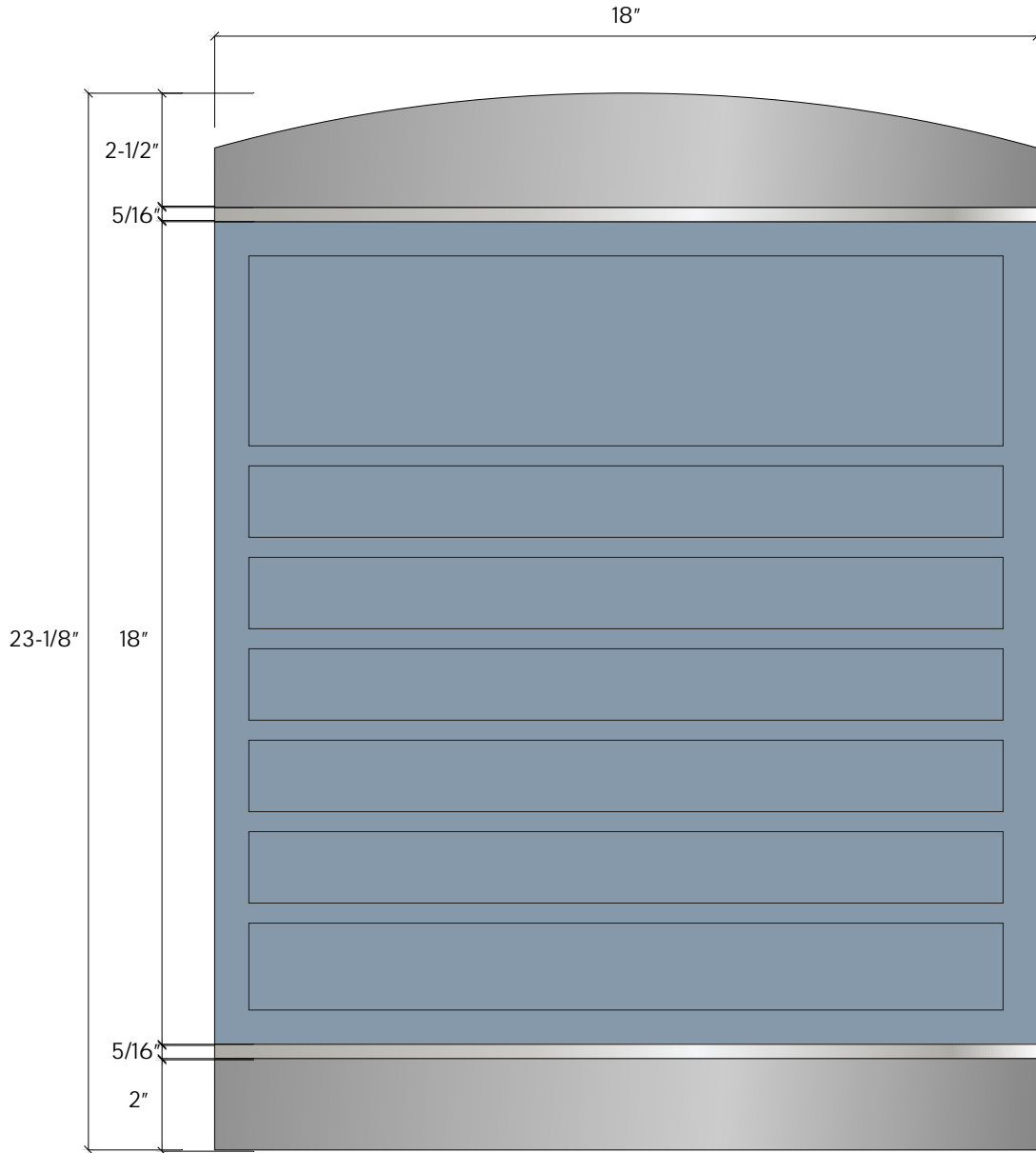
# 13.1



## Interior

This drawing and the ideas expressed remain the confidential property of INTERFACE. This drawing and its ideas are not to be reproduced, copied, or disclosed to any other person or entity without the express written consent of a representative or agent of INTERFACE.

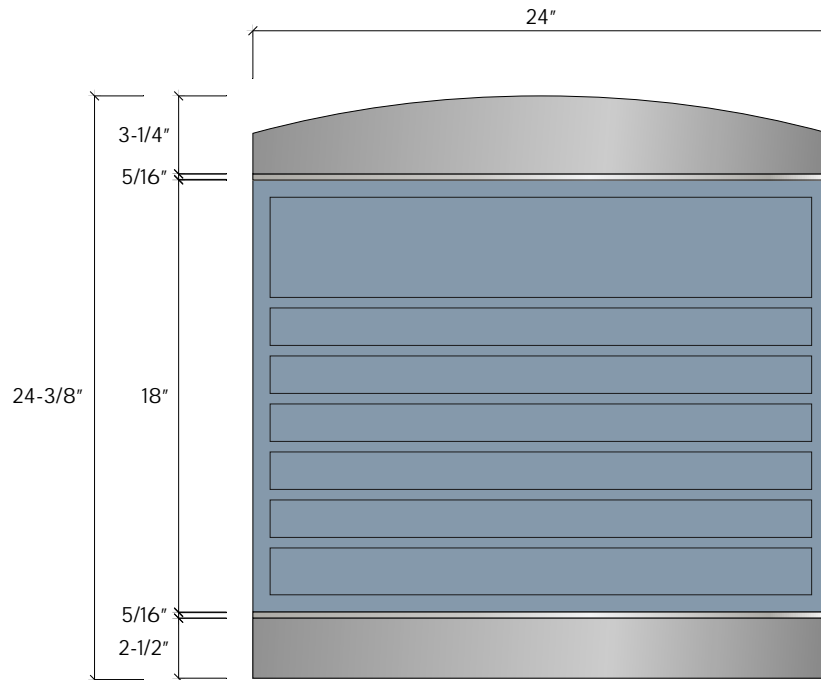
# 14.0



## Interior

This drawing and the ideas expressed remain the confidential property of INNERFACE. This drawing and its ideas are not to be reproduced, copied, or disclosed to any other person or entity without the express written consent of a representative or agent of INNERFACE.

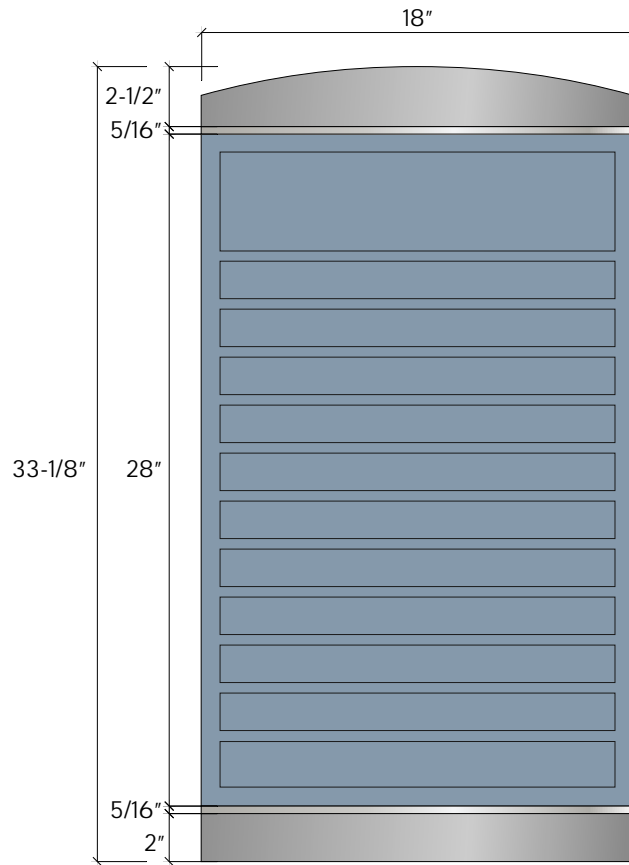
# 14.1



## Interior

This drawing and the ideas expressed remain the confidential property of INNERFACE. This drawing and its ideas are not to be reproduced, copied, or disclosed to any other person or entity without the express written consent of a representative or agent of INNERFACE.

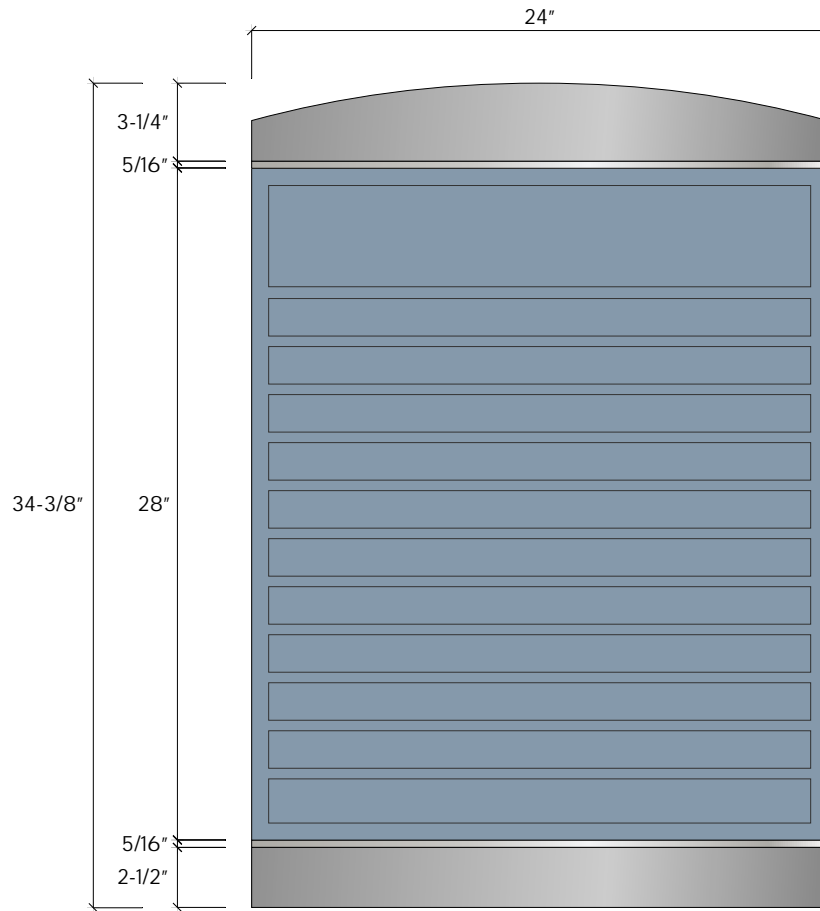
# 15.0



## Interior

This drawing and the ideas expressed remain the confidential property of INNERFACE. This drawing and its ideas are not to be reproduced, copied, or disclosed to any other person or entity without the express written consent of a representative or agent of INNERFACE.

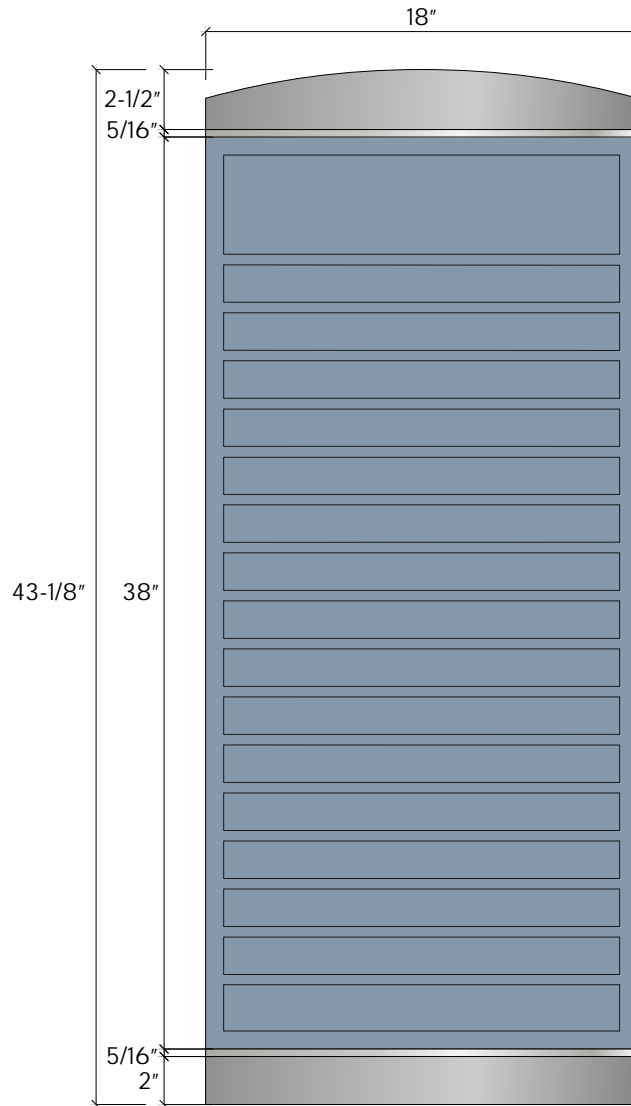
# 15.1



## Interior

This drawing and the ideas expressed remain the confidential property of INNERFACE. This drawing and its ideas are not to be reproduced, copied, or disclosed to any other person or entity without the express written consent of a representative or agent of INNERFACE.

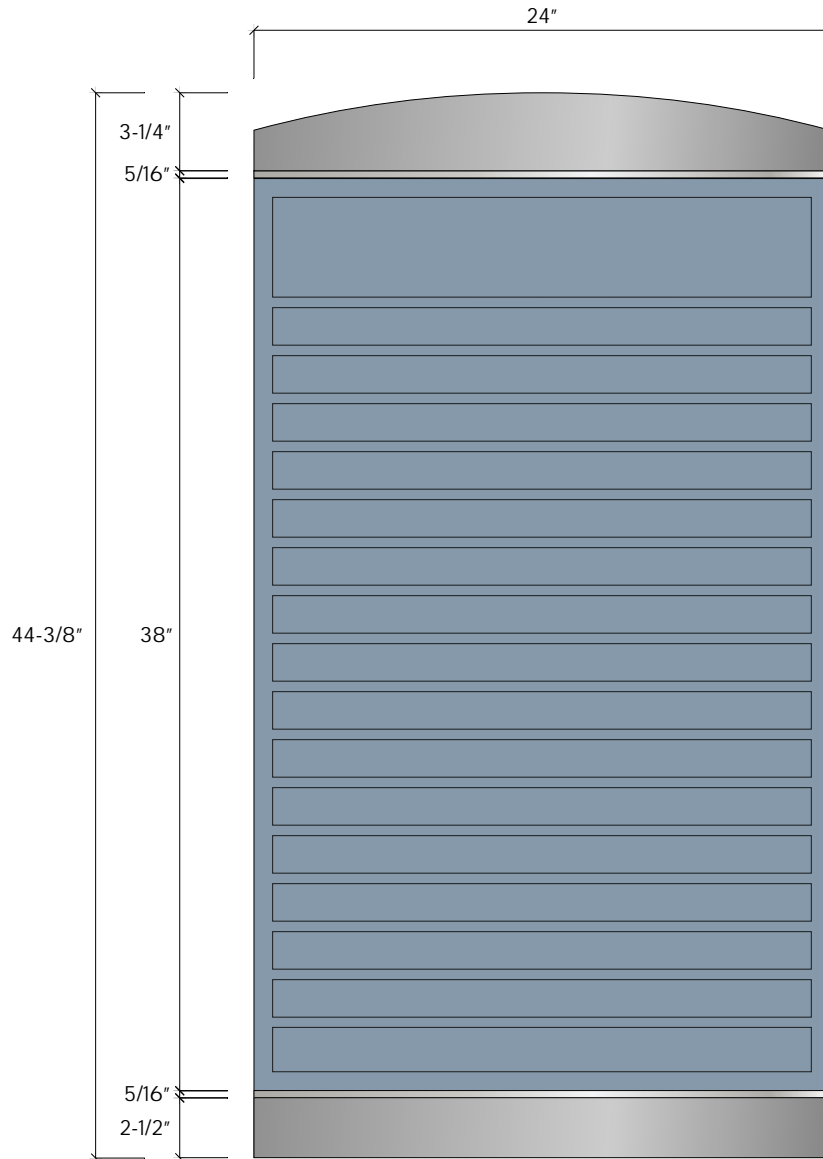
# 16.0



## Interior

This drawing and the ideas expressed remain the confidential property of INNERFACE. This drawing and its ideas are not to be reproduced, copied, or disclosed to any other person or entity without the express written consent of a representative or agent of INNERFACE.

# 16.1



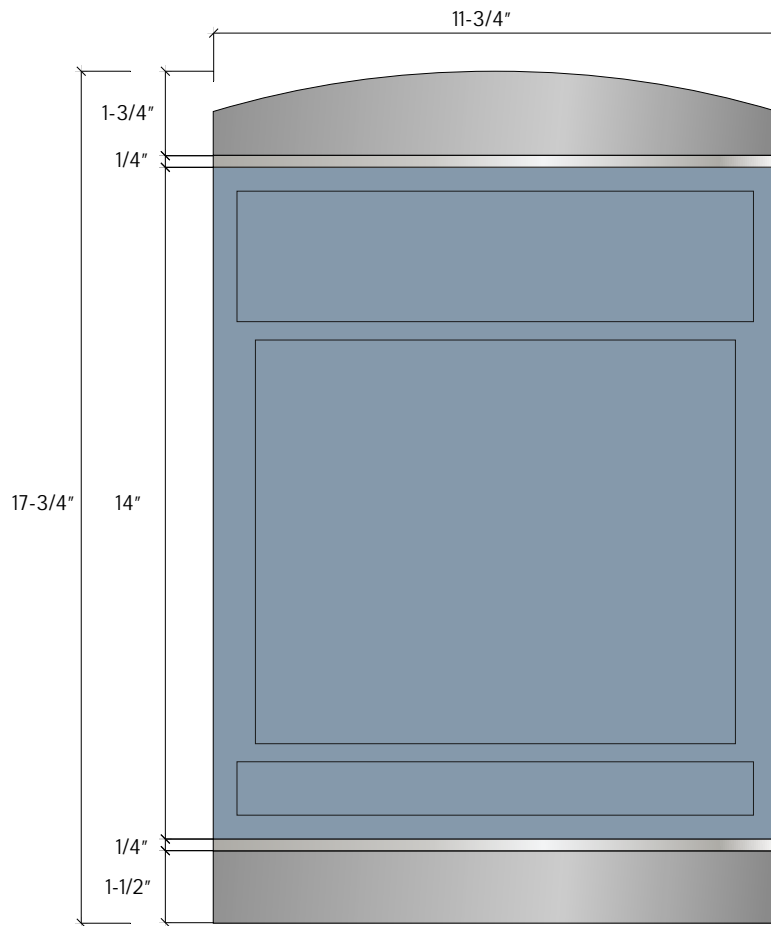
## Interior

This drawing and the ideas expressed remain the confidential property of INNERFACE. This drawing and its ideas are not to be reproduced, copied, or disclosed to any other person or entity without the express written consent of a representative or agent of INNERFACE.





# 29.0

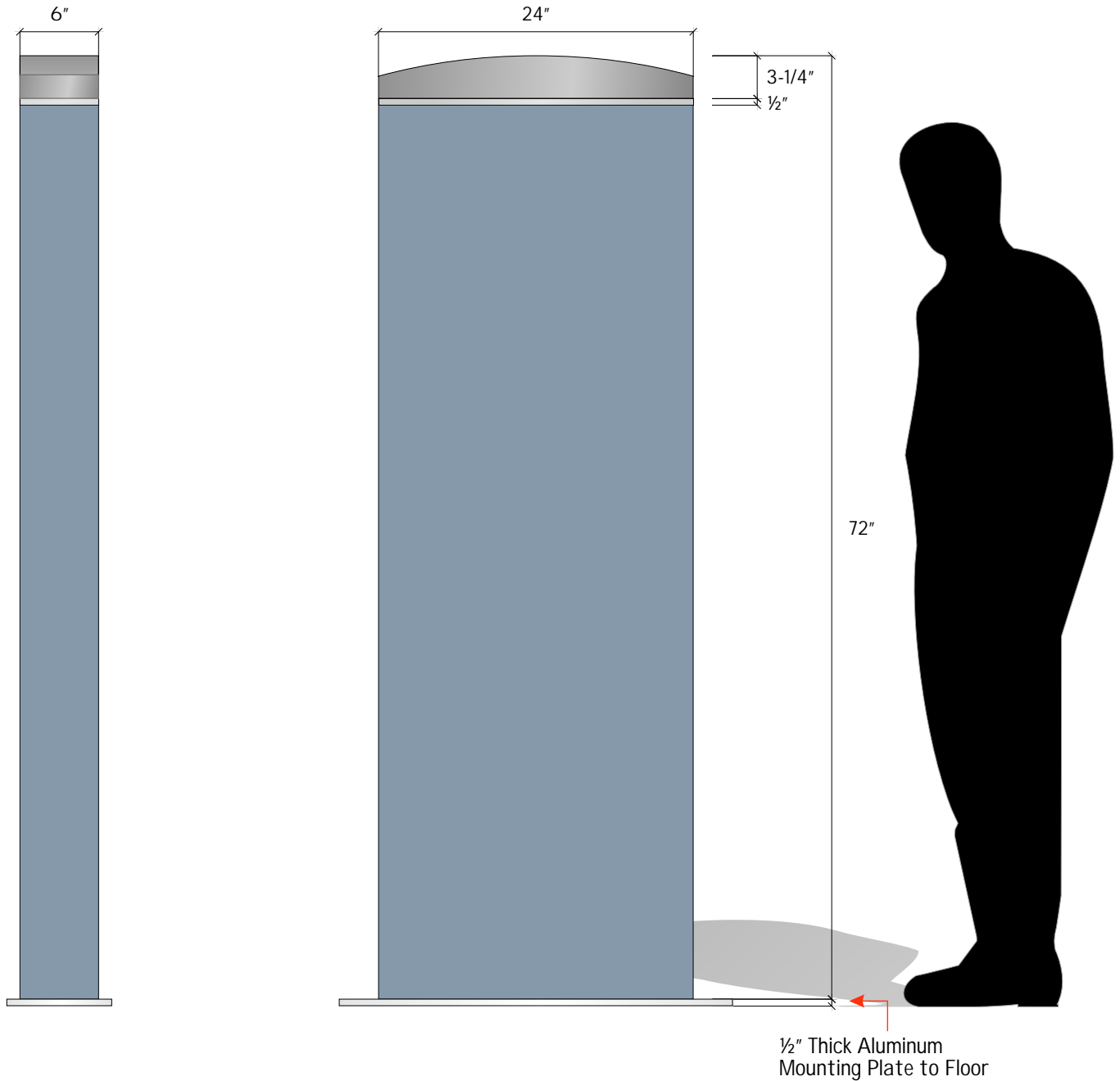


## Interior

This drawing and the ideas expressed remain the confidential property of INNERFACE. This drawing and its ideas are not to be reproduced, copied, or disclosed to any other person or entity without the express written consent of a representative or agent of INNERFACE.

# PARALLEL R FREESTANDING MODULE

FS



**Interior**

This drawing and the ideas expressed remain the confidential property of INNERFACE. This drawing and its ideas are not to be reproduced, copied, or disclosed to any other person or entity without the express written consent of a representative or agent of INNERFACE.

\* SIGN MUST BE DOUBLE SIDED.

# PARALLEL R CEILING MOUNT MODULE

# CM



## Interior

This drawing and the ideas expressed remain the confidential property of INNERFACE. This drawing and its ideas are not to be reproduced, copied, or disclosed to any other person or entity without the express written consent of a representative or agent of INNERFACE.

\* SIGN MUST BE DOUBLE SIDED.