

**INNERFACE
ARCHITECTURAL
SIGNAGE, INC.**

**DIRECTING
PEOPLE
BY DESIGN**

since 1971

WAVE

S E R I E S

SPECIFICATIONS

Updated 3/13

5849 PEACHTREE ROAD
ATLANTA, GEORGIA 30341
T 770 921 5566
T 800 445 4796
F 770 279 1327
INNERFACESIGN.COM

WAVE SERIES

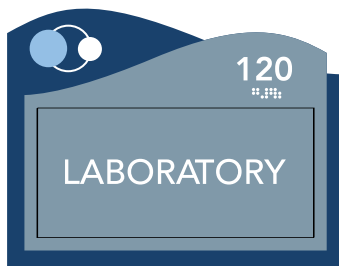
INNERFACE

ARCHITECTURAL
SIGNAGE, INC.

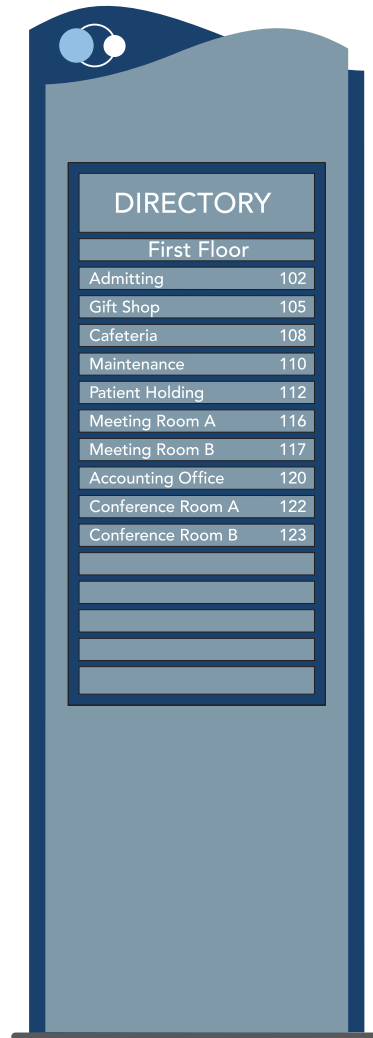
TF 800 445 4796
INNERFACESIGN.COM



6.0



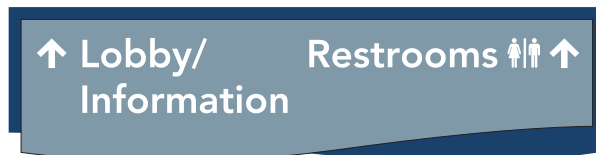
5.5



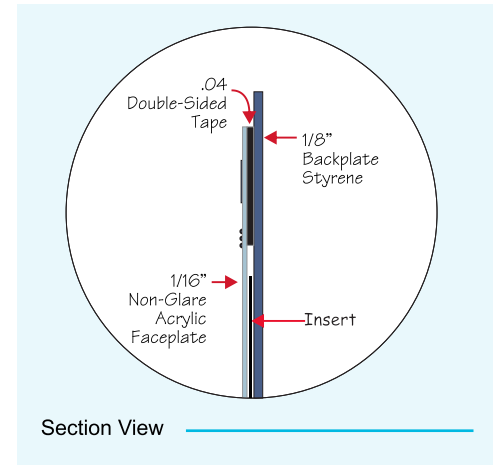
Stanchion



Ceiling Mount Side A



Ceiling Mount Side B



Section View

Our Signature WAVE Series Features Two Separate Panels To Simulate An Organic Design

Featuring multiple curved accents, our Wave series of signs puts a twist on our familiar signature system. By combining complementary or contrasting colors, this modular system can enhance the appearance of any interior environment.

The wave system offers multiple options for ADA compliant raised characters and Braille which can be located either on one of the top accent pieces or as part of the core frame. The top accent pieces are an excellent location to display a logo or other branding component.



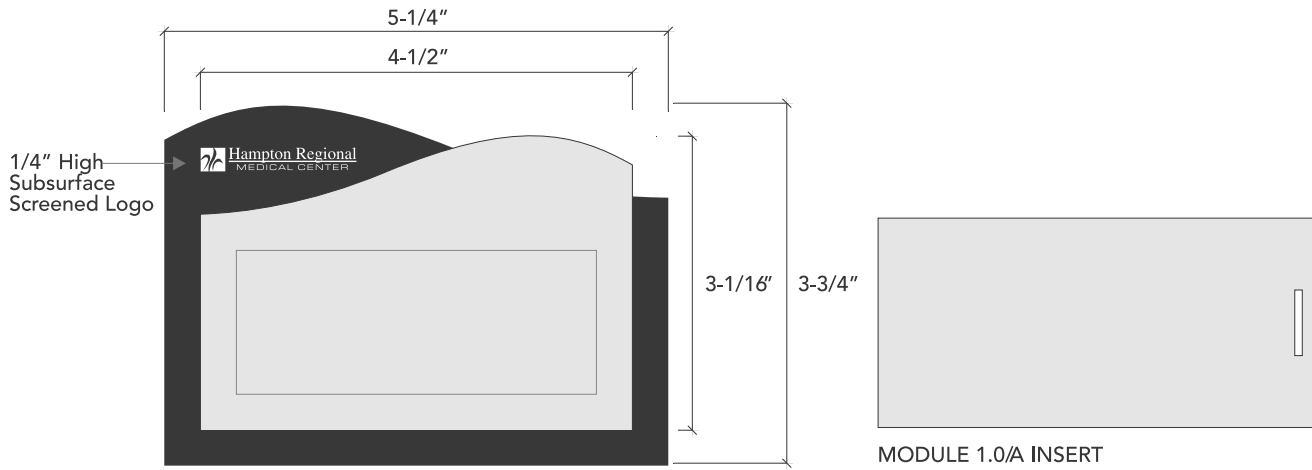
INNERFACE
ARCHITECTURAL
SIGNAGE, INC.

DIRECTING
PEOPLE
BY DESIGN

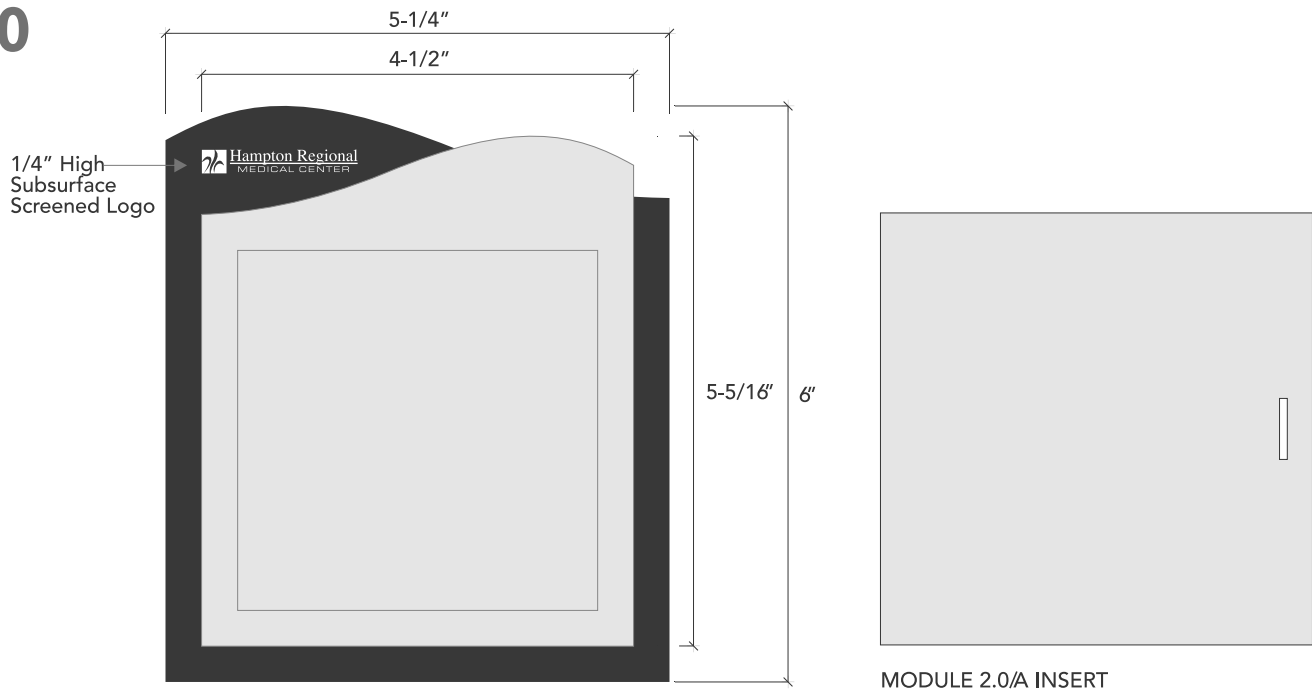
since 1971

*Shown above are only 4 out of the 50+ available module sizes

1.0



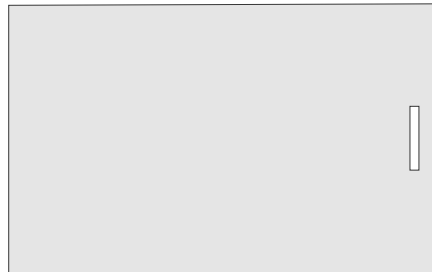
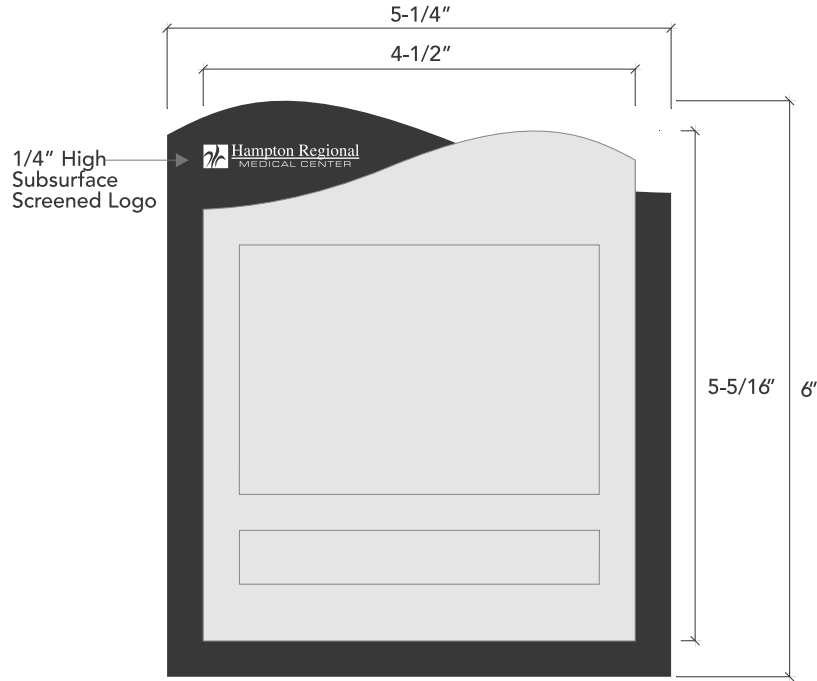
2.0



Interior

This drawing and the ideas expressed remain the confidential property of INNERFACE. This drawing and its ideas are not to be reproduced, copied, or disclosed to any other person or entity without the express written consent of a representative or agent of INNERFACE.

2.11



MODULE 211/A INSERT

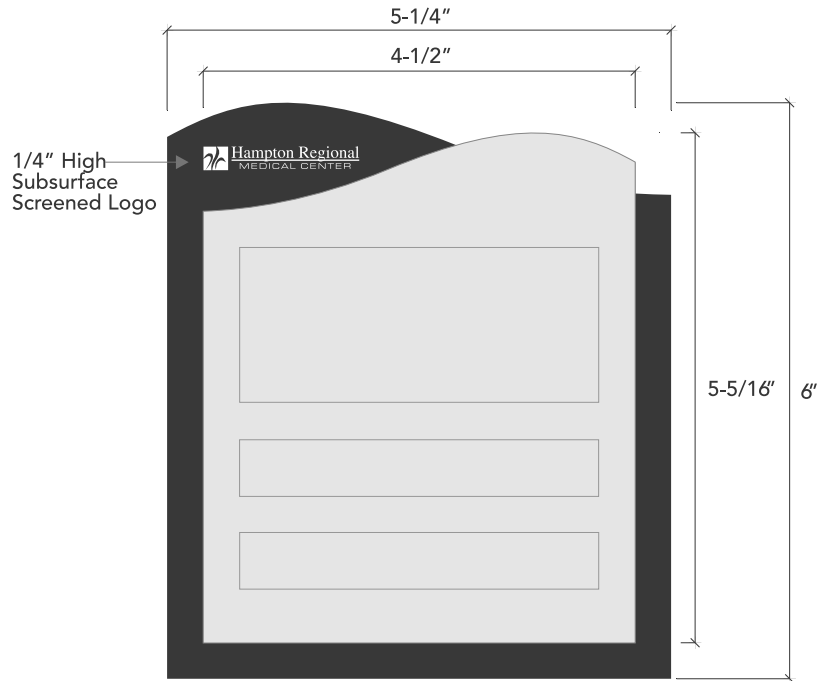


MODULE 211/B STRIP INSERT

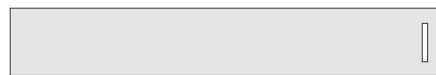
Interior

This drawing and the ideas expressed remain the confidential property of INNERFACE. This drawing and its ideas are not to be reproduced, copied, or disclosed to any other person or entity without the express written consent of a representative or agent of INNERFACE.

2.22



MODULE 2.22/A INSERT

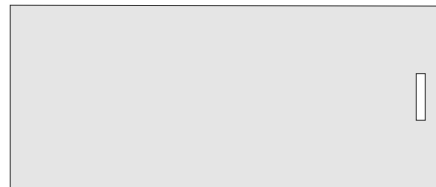
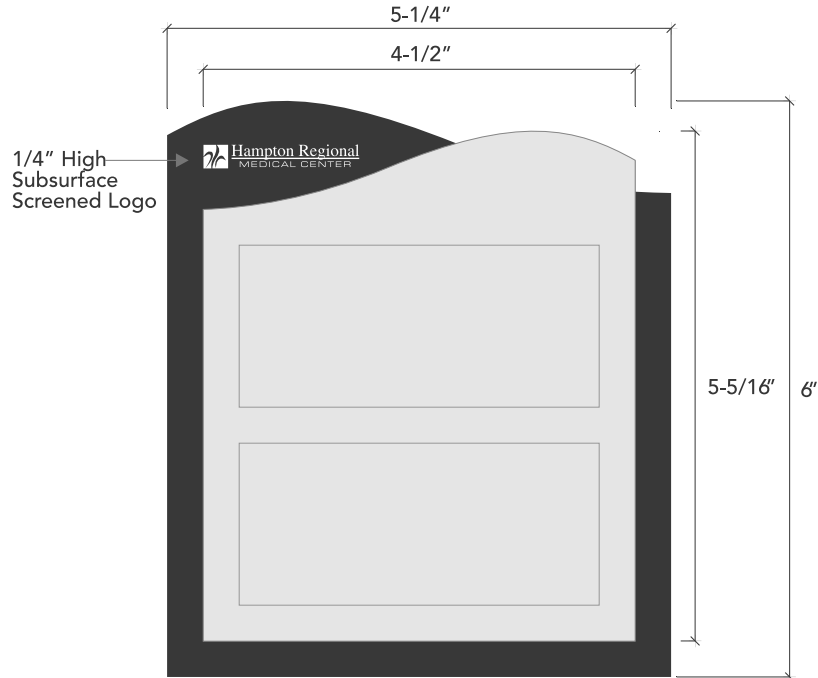


MODULE 2.22 B STRIP INSERT
Qty 2

Interior

This drawing and the ideas expressed remain the confidential property of INNERFACE. This drawing and its ideas are not to be reproduced, copied, or disclosed to any other person or entity without the express written consent of a representative or agent of INNERFACE.

2.6



MODULE 2.6/A INSERT (TOP)

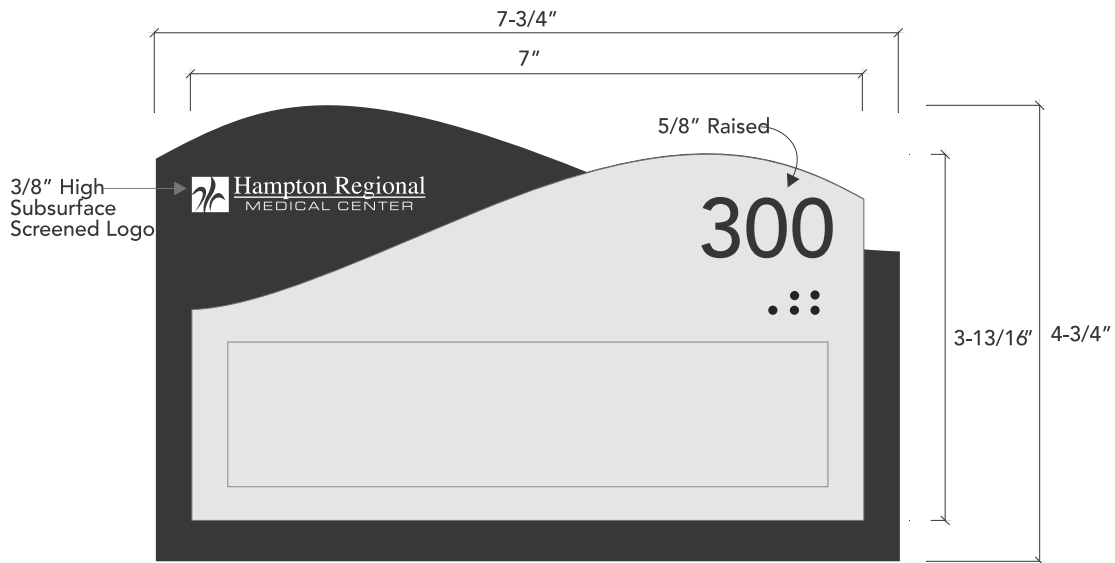


MODULE 2.6/B INSERT (BOTTOM)

Interior

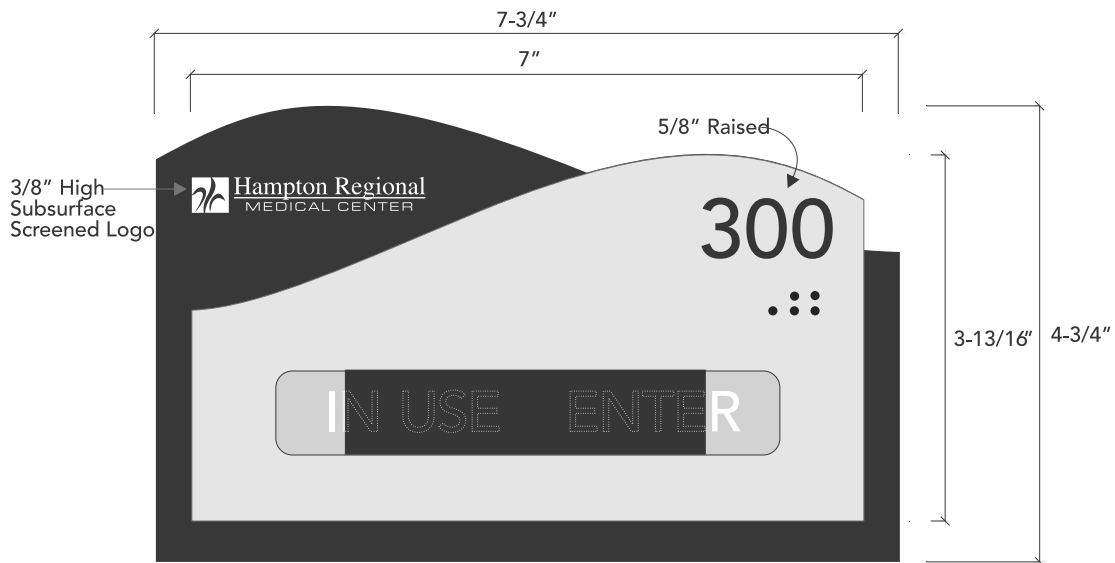
This drawing and the ideas expressed remain the confidential property of INNERFACE. This drawing and its ideas are not to be reproduced, copied, or disclosed to any other person or entity without the express written consent of a representative or agent of INNERFACE.

3.0



MODULE 3.0/A INSERT

3.5

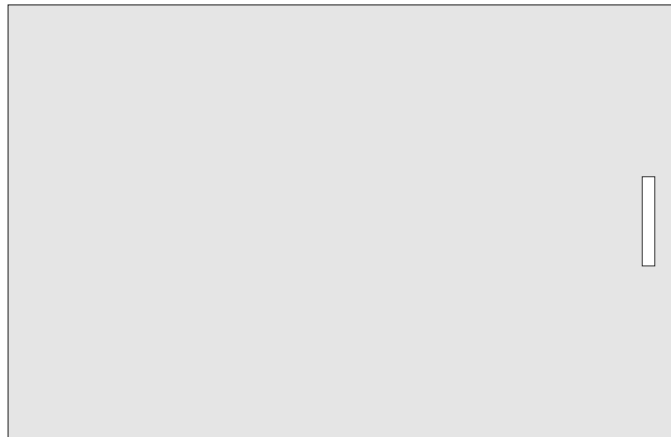
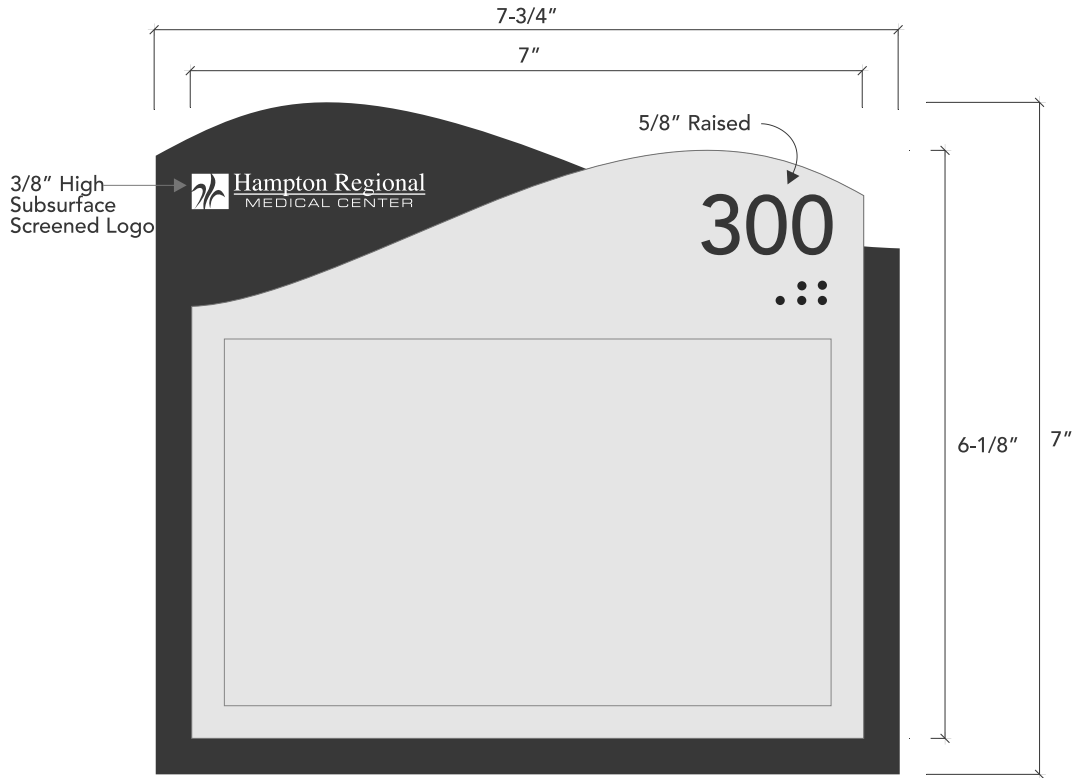


"IN USE/ENTER" SLIDING BAR SHOWN ABOVE

Interior

This drawing and the ideas expressed remain the confidential property of INNERFACE. This drawing and its ideas are not to be reproduced, copied, or disclosed to any other person or entity without the express written consent of a representative or agent of INNERFACE.

3.7

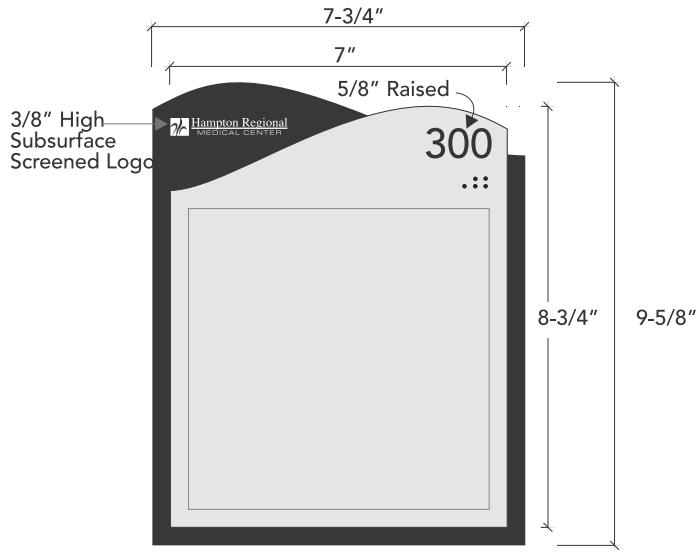


MODULE 3.7/A INSERT

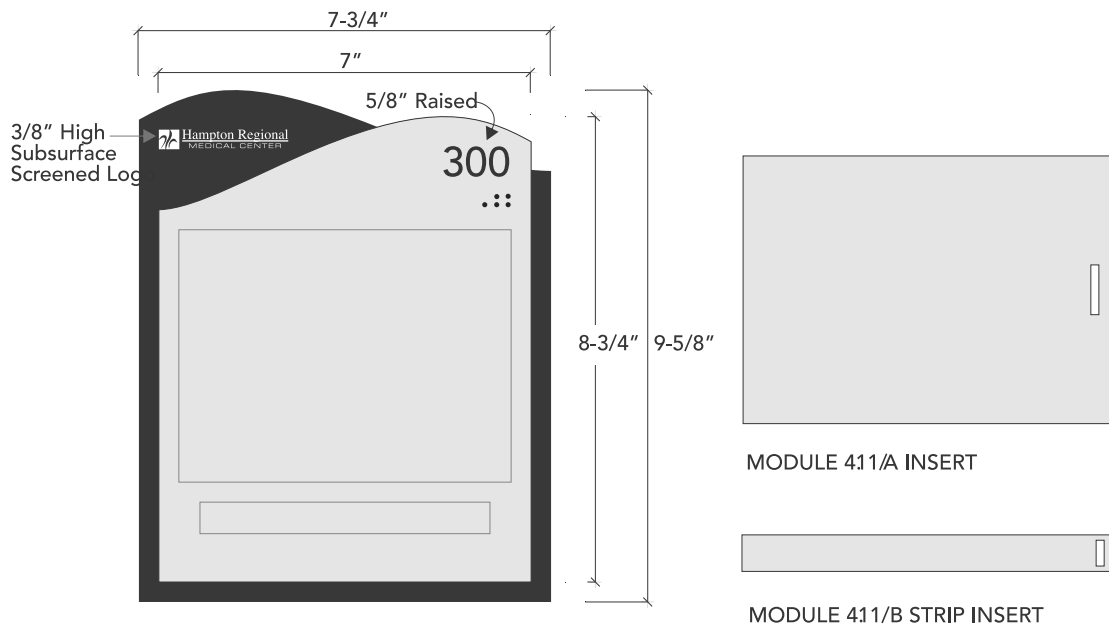
Interior

This drawing and the ideas expressed remain the confidential property of INNERFACE. This drawing and its ideas are not to be reproduced, copied, or disclosed to any other person or entity without the express written consent of a representative or agent of INNERFACE.

4.0



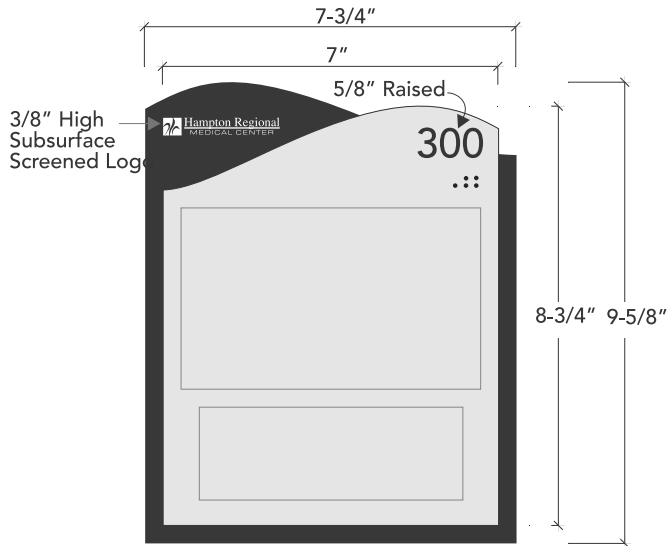
4.11



Interior

This drawing and the ideas expressed remain the confidential property of INNERFACE. This drawing and its ideas are not to be reproduced, copied, or disclosed to any other person or entity without the express written consent of a representative or agent of INNERFACE.

4.11E

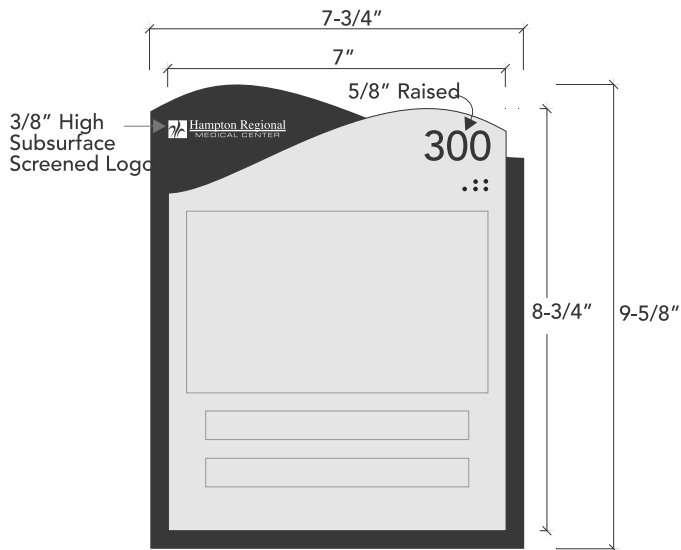


MODULE 411E/A INSERT

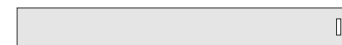


MODULE 411E/B STRIP INSERT

4.22



MODULE 4.22/A INSERT

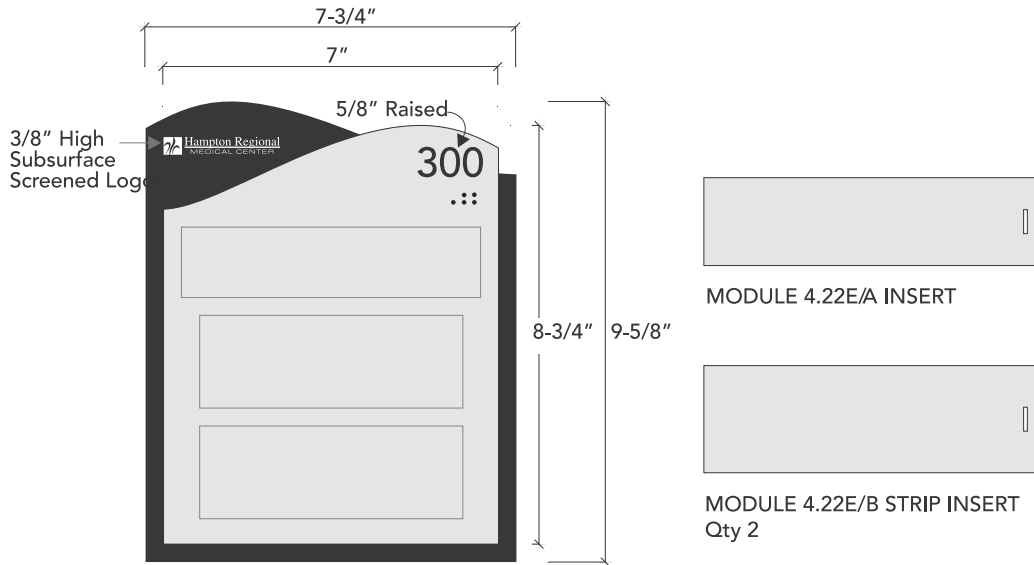


MODULE 4.22/B STRIP INSERT
Qty 2

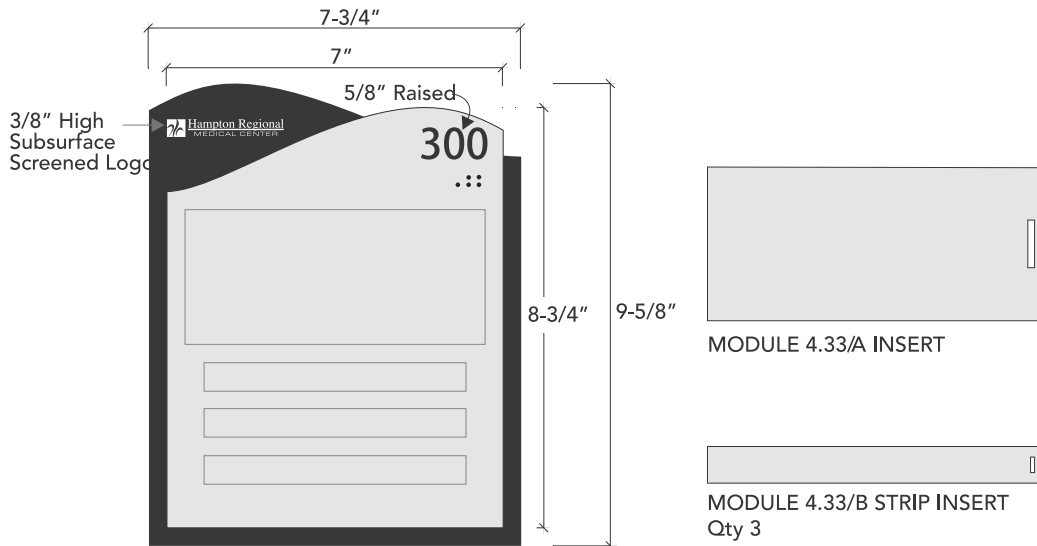
Interior

This drawing and the ideas expressed remain the confidential property of INNERFACE. This drawing and its ideas are not to be reproduced, copied, or disclosed to any other person or entity without the express written consent of a representative or agent of INNERFACE.

4.22E



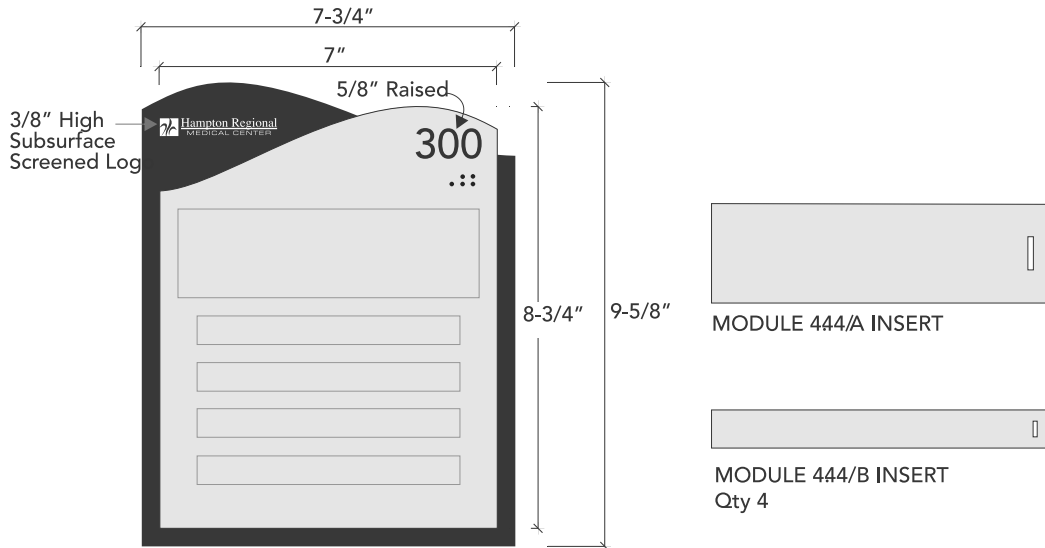
4.33



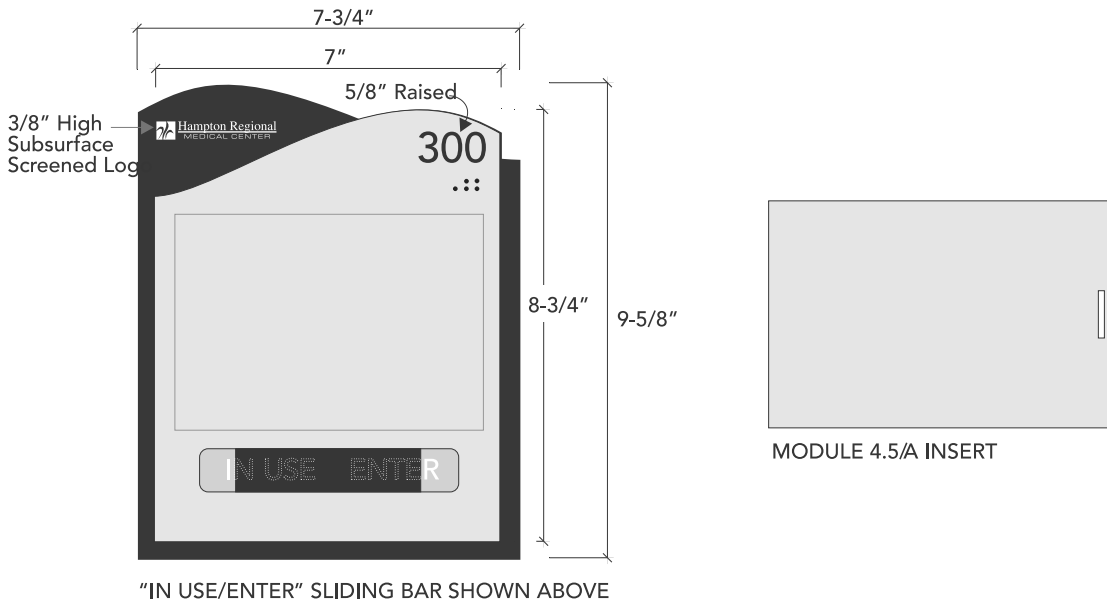
Interior

This drawing and the ideas expressed remain the confidential property of INNERFACE. This drawing and its ideas are not to be reproduced, copied, or disclosed to any other person or entity without the express written consent of a representative or agent of INNERFACE.

4.44



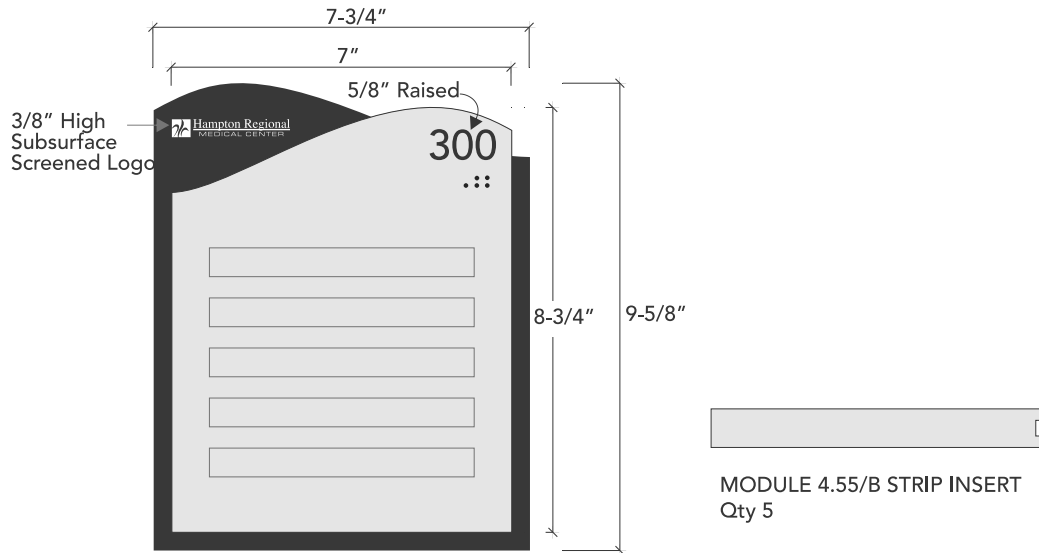
4.5



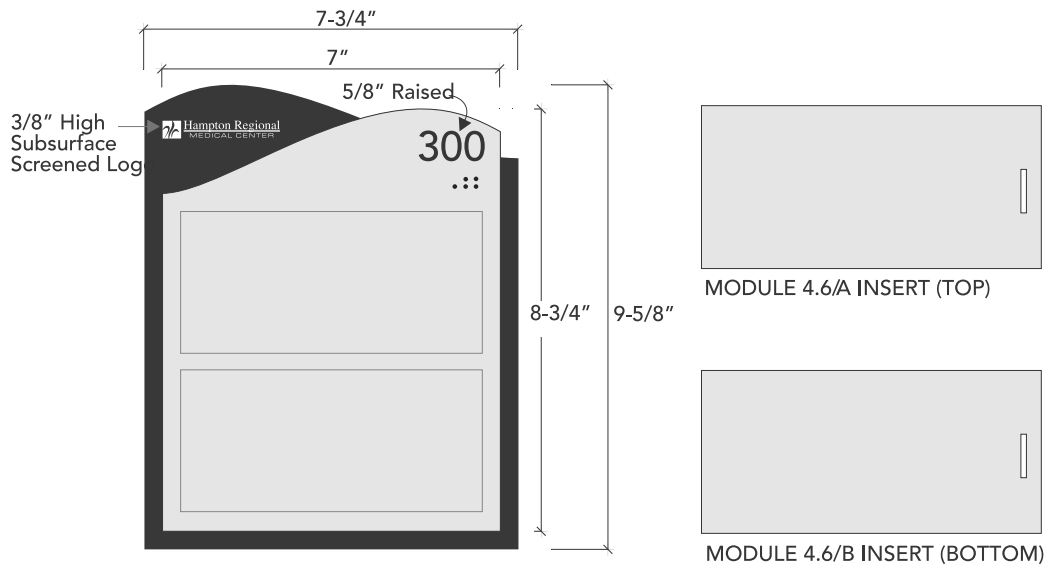
Interior

This drawing and the ideas expressed remain the confidential property of INNERFACE. This drawing and its ideas are not to be reproduced, copied, or disclosed to any other person or entity without the express written consent of a representative or agent of INNERFACE.

4.55



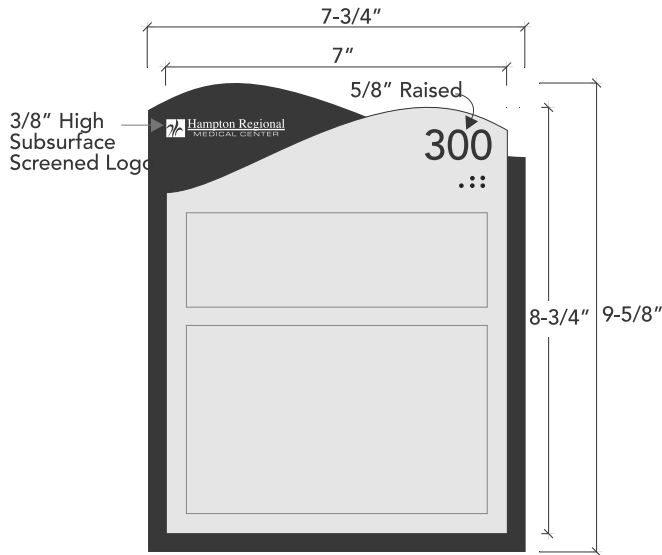
4.6



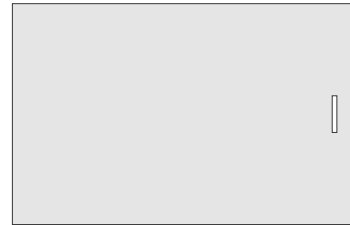
Interior

This drawing and the ideas expressed remain the confidential property of INNERFACE. This drawing and its ideas are not to be reproduced, copied or disclosed to any other person or entity without the express written consent of a representative or agent of INNERFACE.

4.7

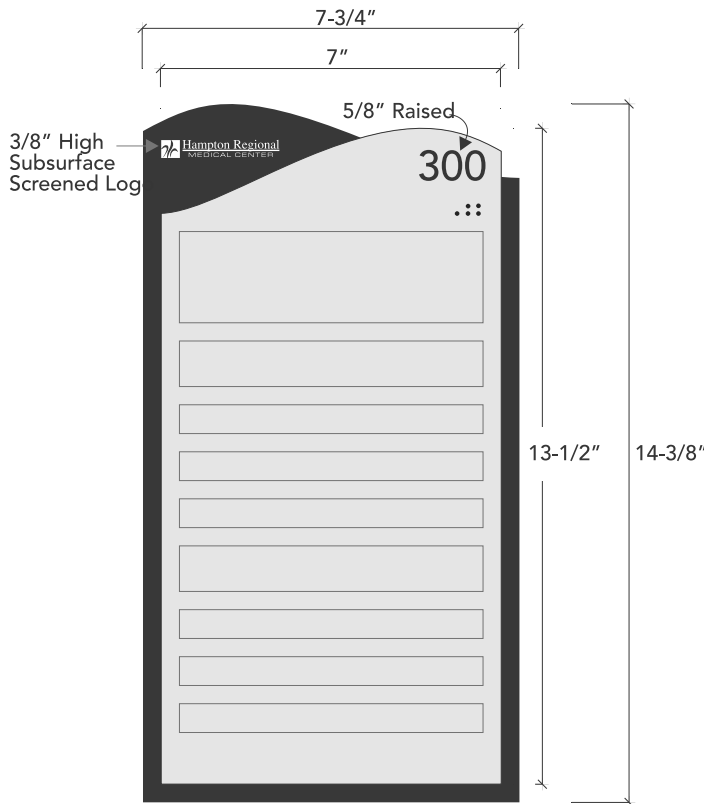


MODULE 4.7/A INSERT (TOP)

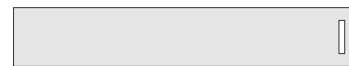


MODULE 4.7/B INSERT (BOTTOM)

4.88



MODULE 4.88/A INSERT



MODULE 4.88/C subheader
Qty 2

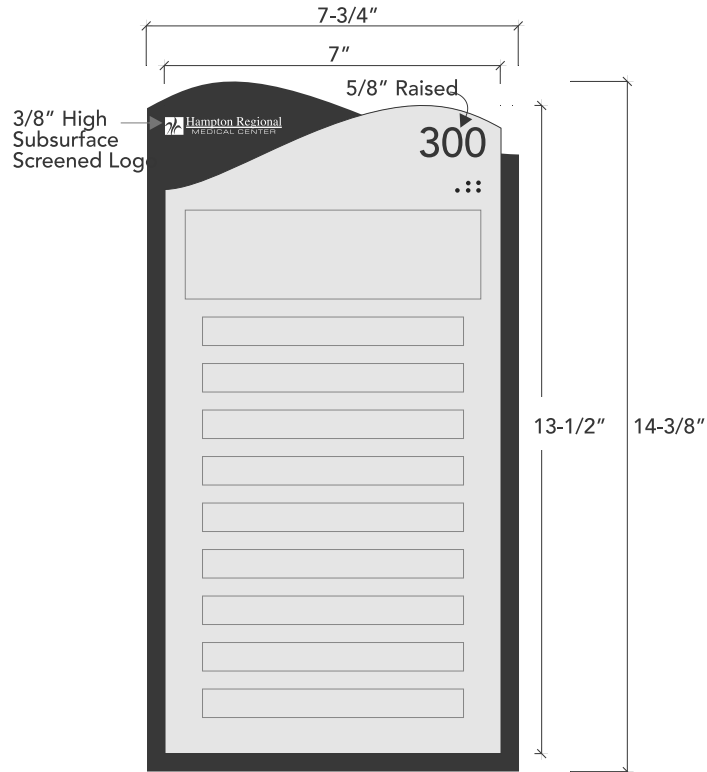


MODULE 4.88/B INSERT
Qty 6

Interior

This drawing and the ideas expressed remain the confidential property of INNERFACE. This drawing and its ideas are not to be reproduced, copied, or disclosed to any other person or entity without the express written consent of a representative or agent of INNERFACE.

4.99



MODULE 499/A HEADER

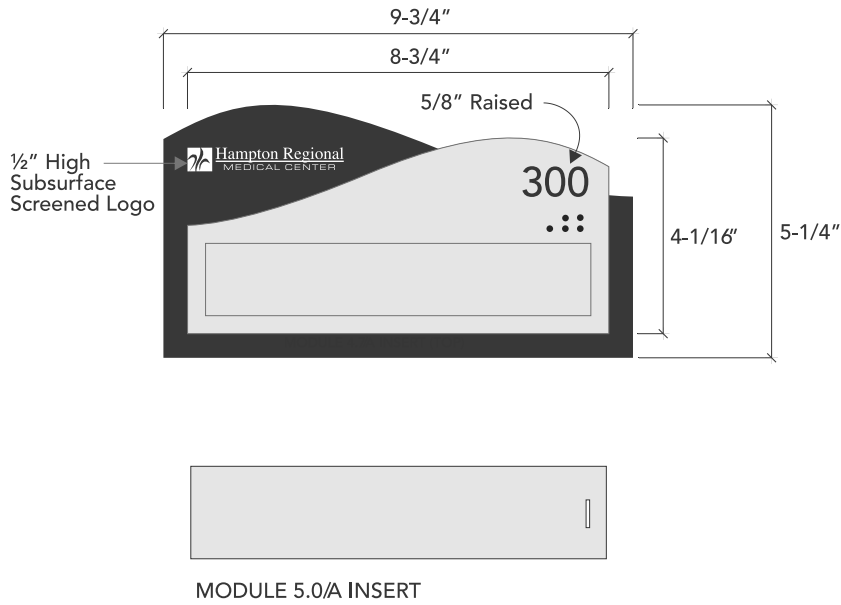


MODULE 499/B INSERT
Qty 9

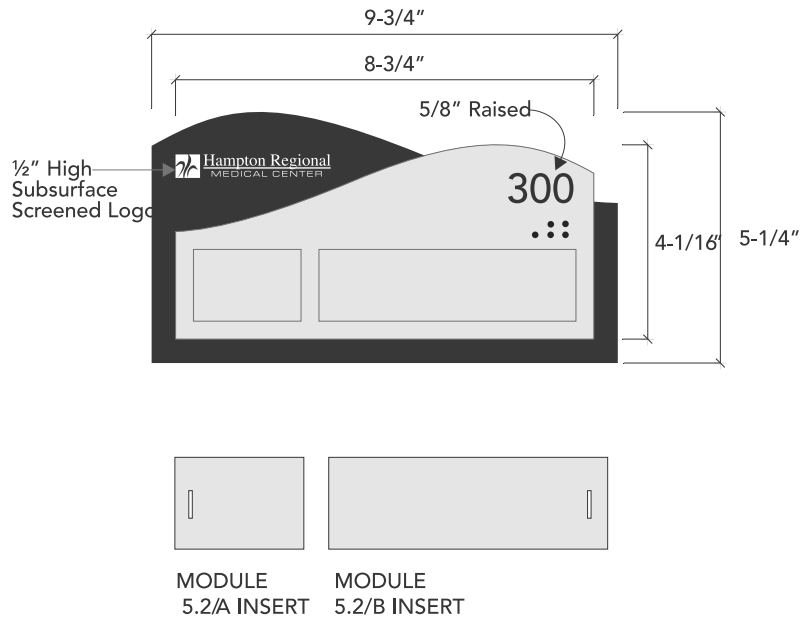
Interior

This drawing and the ideas expressed remain the confidential property of INNERFACE. This drawing and its ideas are not to be reproduced, copied, or disclosed to any other person or entity without the express written consent of a representative or agent of INNERFACE.

5.0



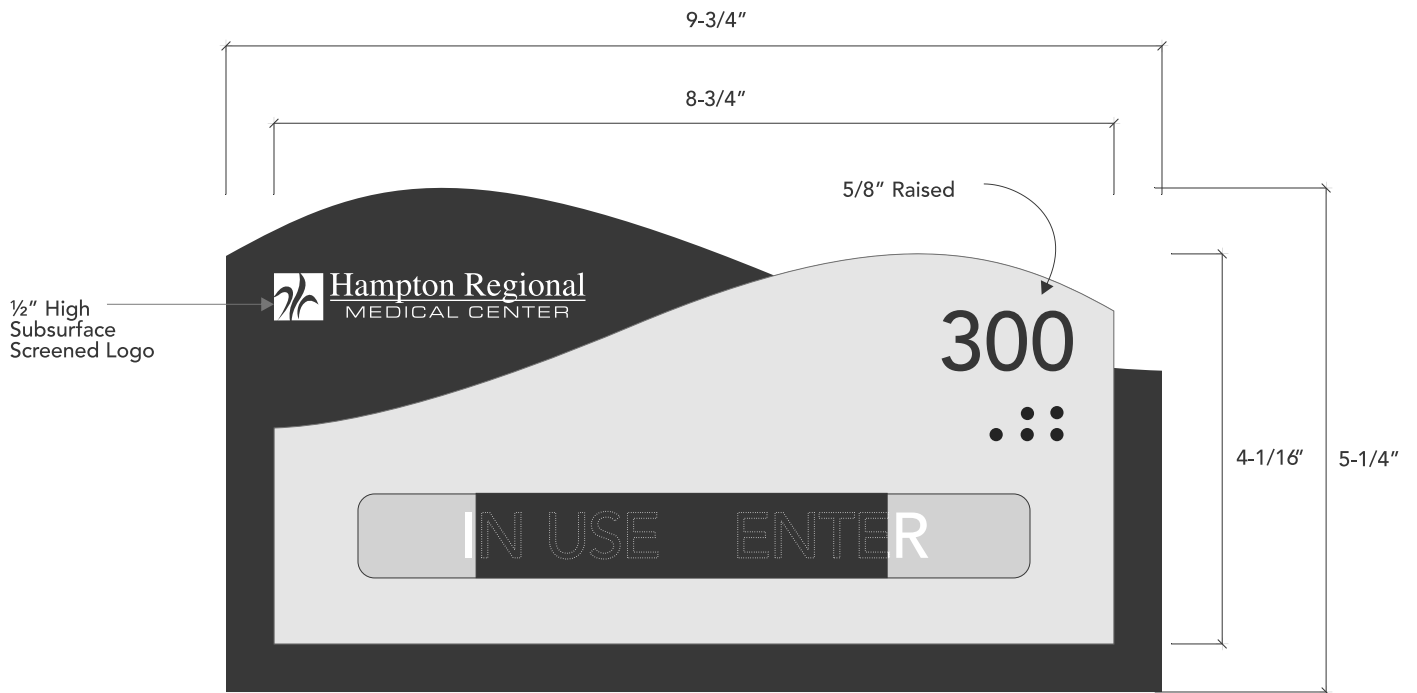
5.2



Interior

This drawing and the ideas expressed remain the confidential property of INNERFACE. This drawing and its ideas are not to be reproduced, copied, or disclosed to any other person or entity without the express written consent of a representative or agent of INNERFACE.

5.3

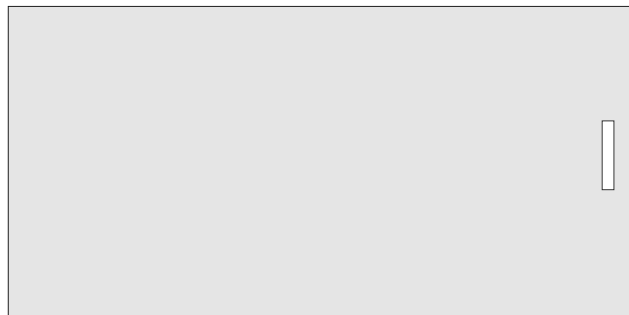
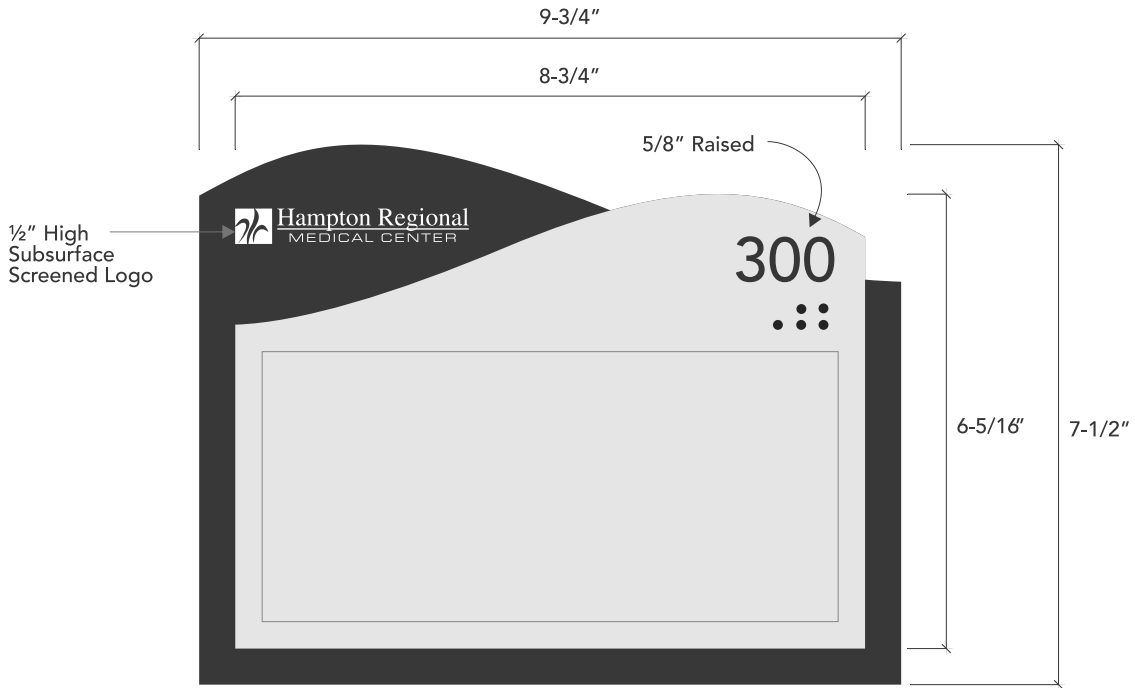


"IN USE/ENTER" SLIDING BAR SHOWN ABOVE

Interior

This drawing and the ideas expressed remain the confidential property of INNERFACE. This drawing and its ideas are not to be reproduced, copied, or disclosed to any other person or entity without the express written consent of a representative or agent of INNERFACE.

5.5

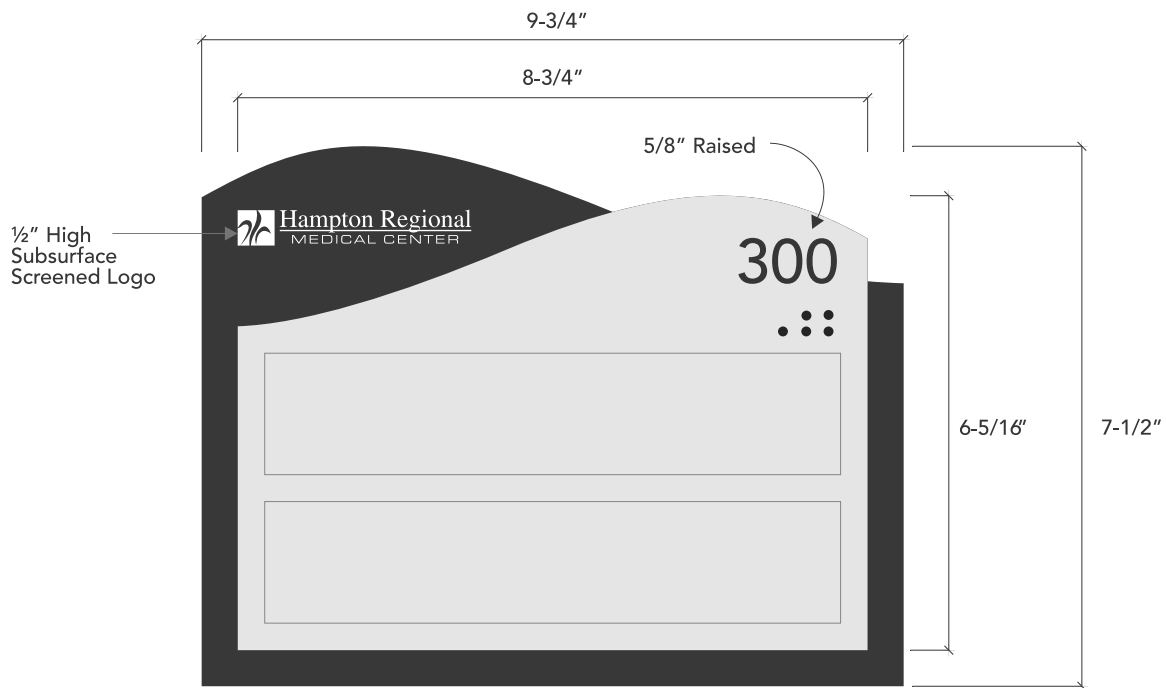


MODULE 5.5/A INSERT

Interior

This drawing and the ideas expressed remain the confidential property of INNERFACE. This drawing and its ideas are not to be reproduced, copied, or disclosed to any other person or entity without the express written consent of a representative or agent of INNERFACE.

5.6



MODULE 5.6/A INSERT (TOP)

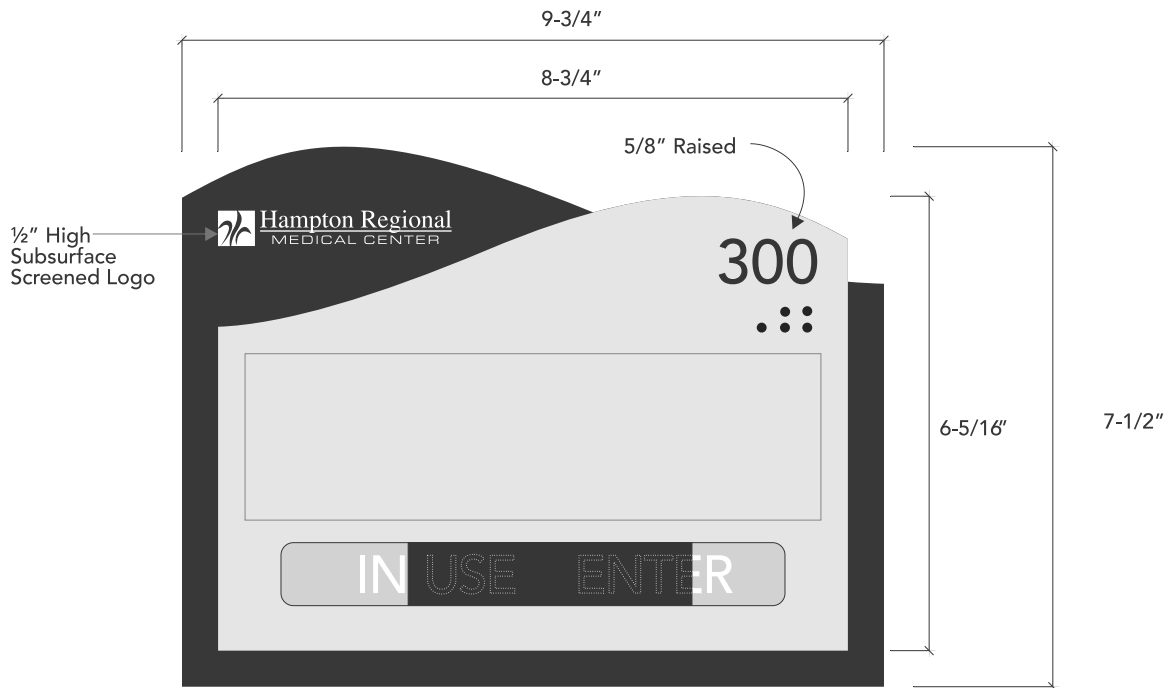


MODULE 5.6/B INSERT (TOP)

Interior

This drawing and the ideas expressed remain the confidential property of INNERFACE. This drawing and its ideas are not to be reproduced, copied, or disclosed to any other person or entity without the express written consent of a representative or agent of INNERFACE.

5.7

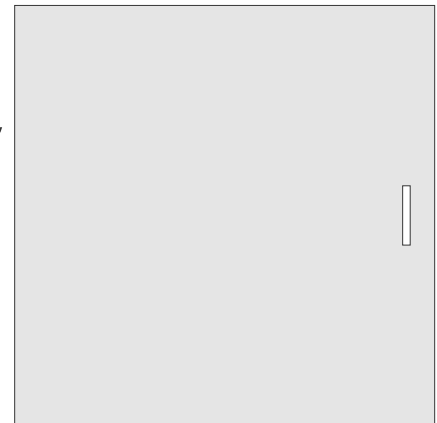
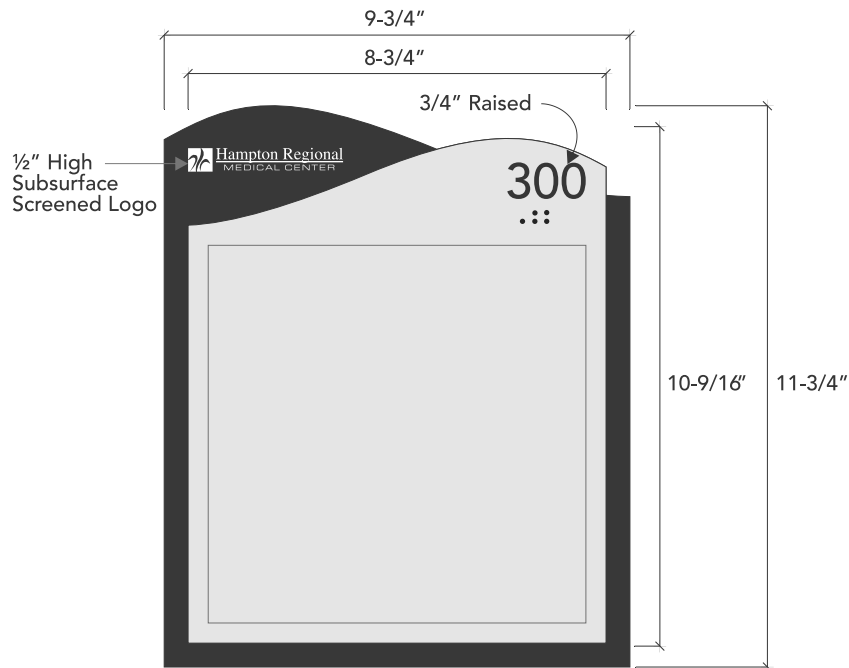


"IN USE/ENTER" SLIDING BAR SHOWN ABOVE

Interior

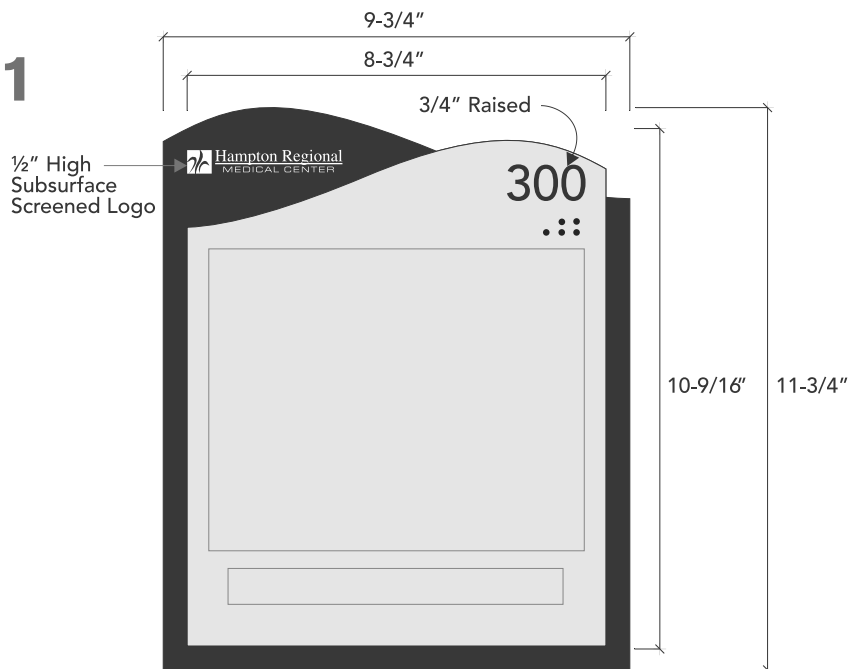
This drawing and the ideas expressed remain the confidential property of INNERFACE. This drawing and its ideas are not to be reproduced, copied, or disclosed to any other person or entity without the express written consent of a representative or agent of INNERFACE.

6.0



MODULE 6.0/A INSERT

6.11



MODULE 6.11/A INSERT

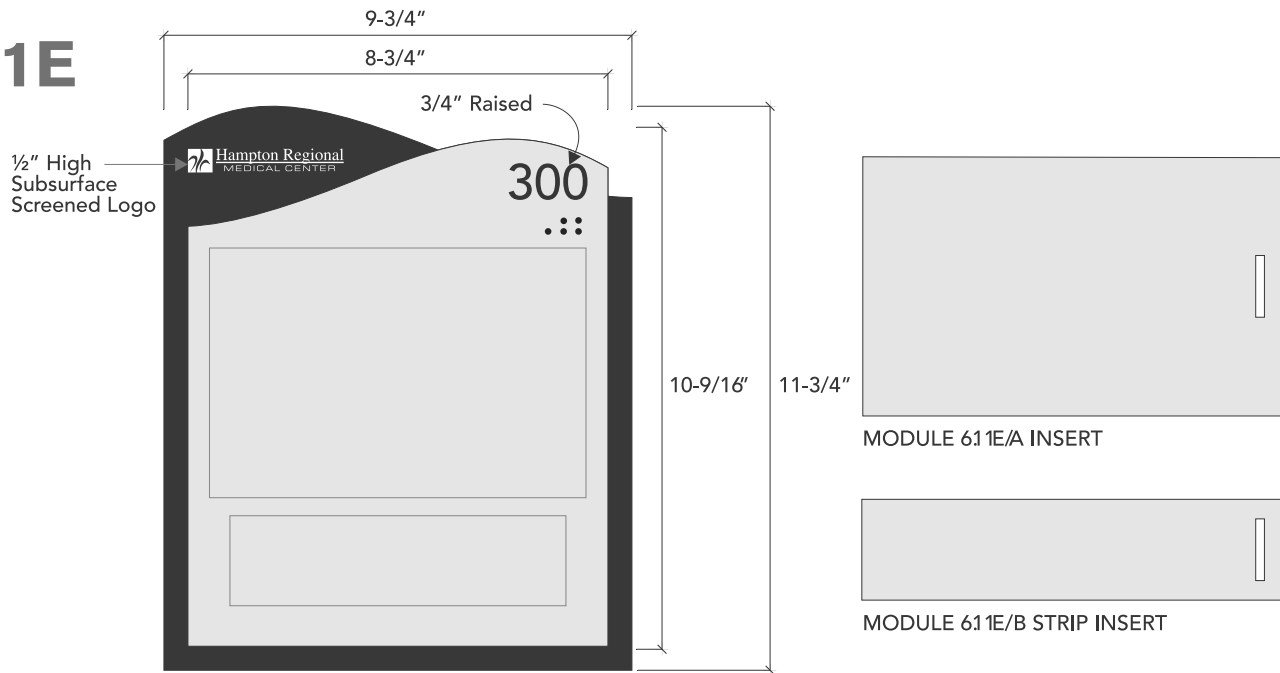


MODULE 6.11/B STRIP INSERT

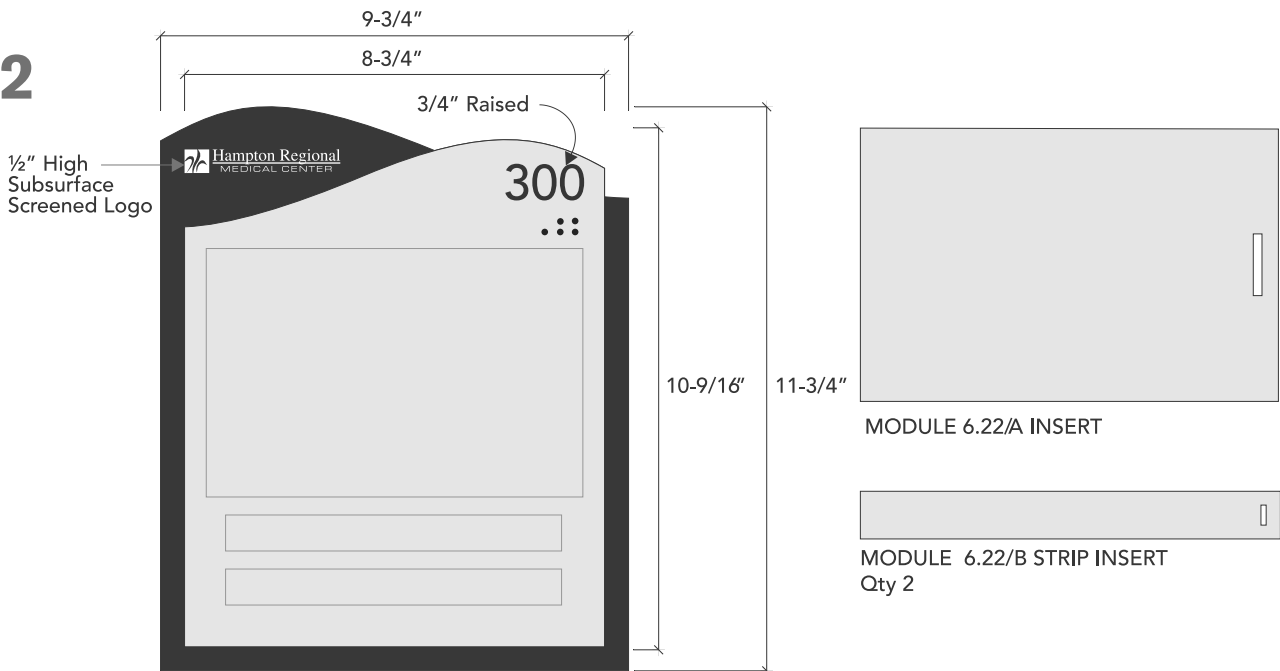
Interior

This drawing and the ideas expressed remain the confidential property of INNERFACE. This drawing and its ideas are not to be reproduced, copied, or disclosed to any other person or entity without the express written consent of a representative or agent of INNERFACE.

6.11E



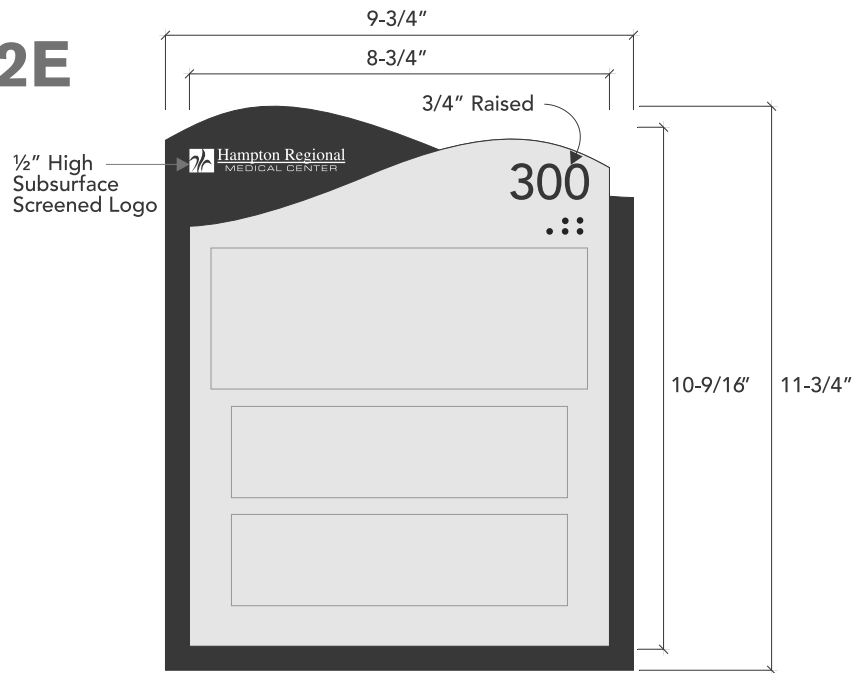
6.22



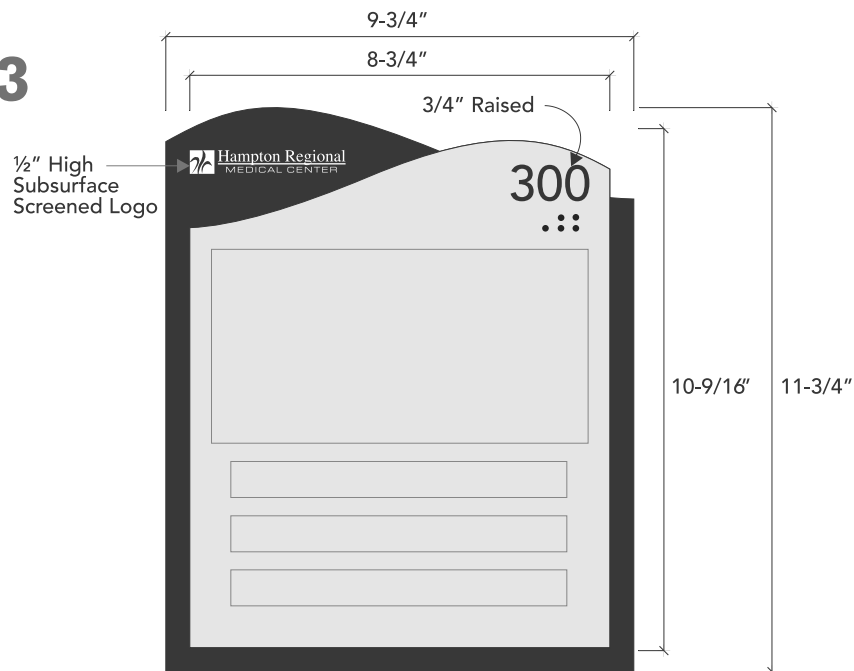
Interior

This drawing and the ideas expressed remain the confidential property of INNERFACE. This drawing and its ideas are not to be reproduced, copied, or disclosed to any other person or entity without the express written consent of a representative or agent of INNERFACE.

6.22E



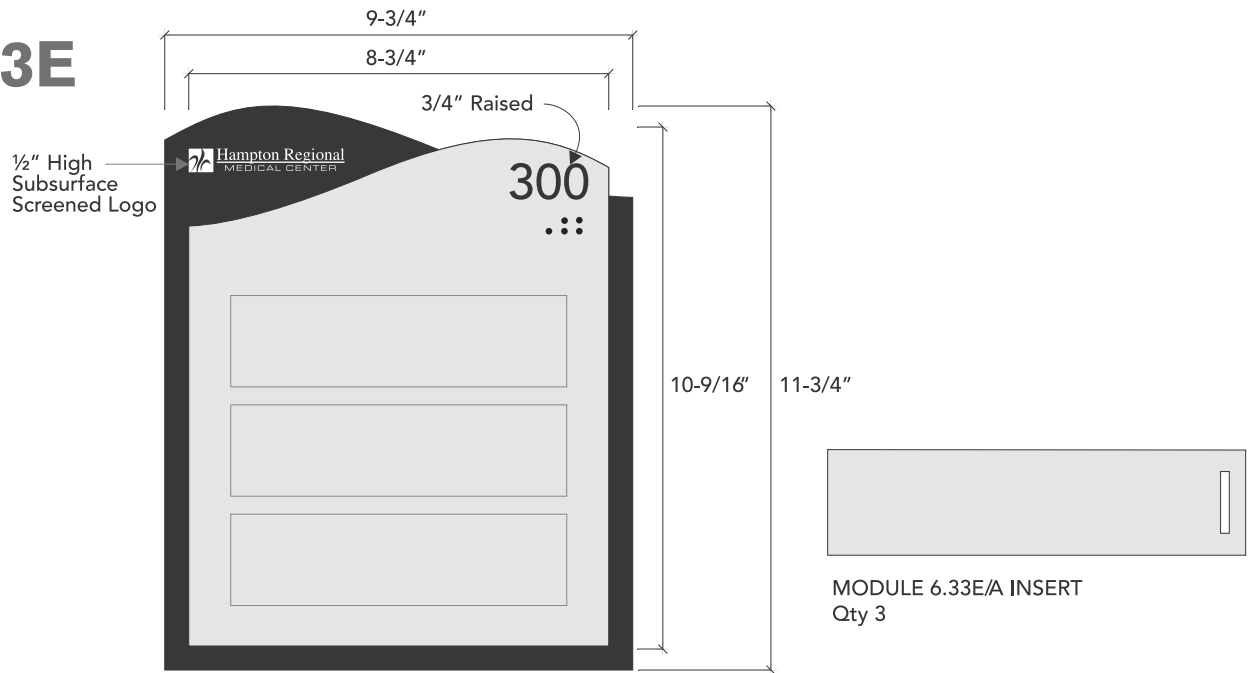
6.33



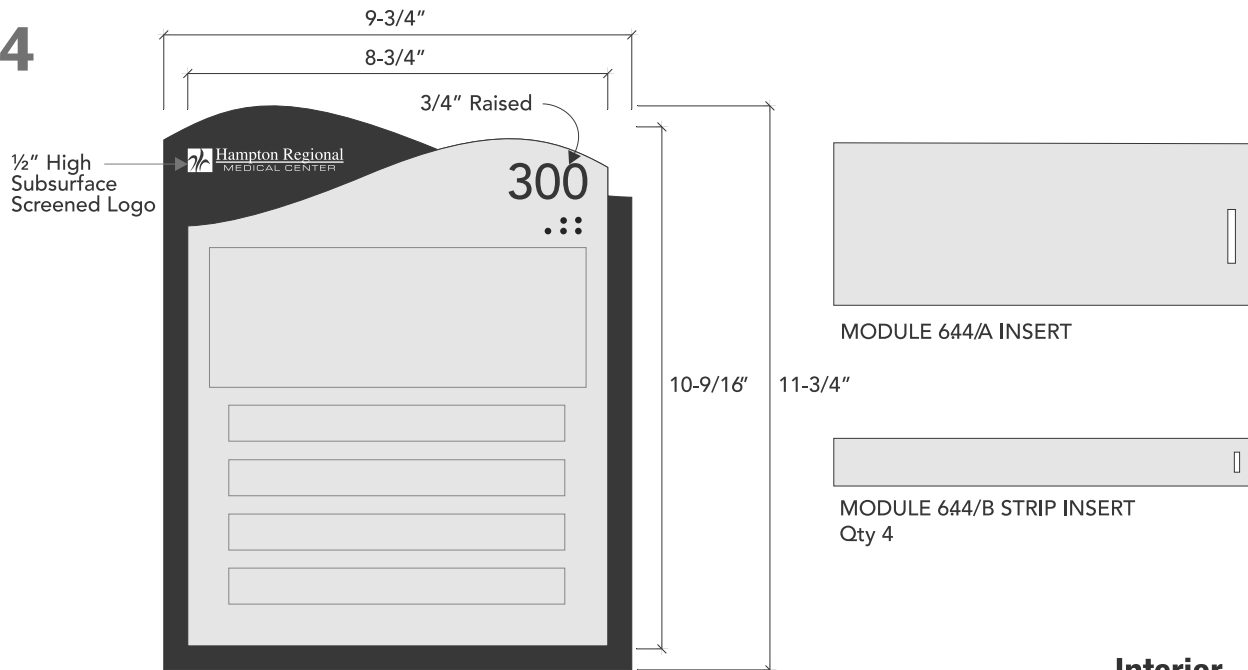
Interior

This drawing and the ideas expressed remain the confidential property of INNERFACE. This drawing and its ideas are not to be reproduced, copied, disclosed to any other person or entity without the express written consent of a representative or agent of INNERFACE.

6.33E



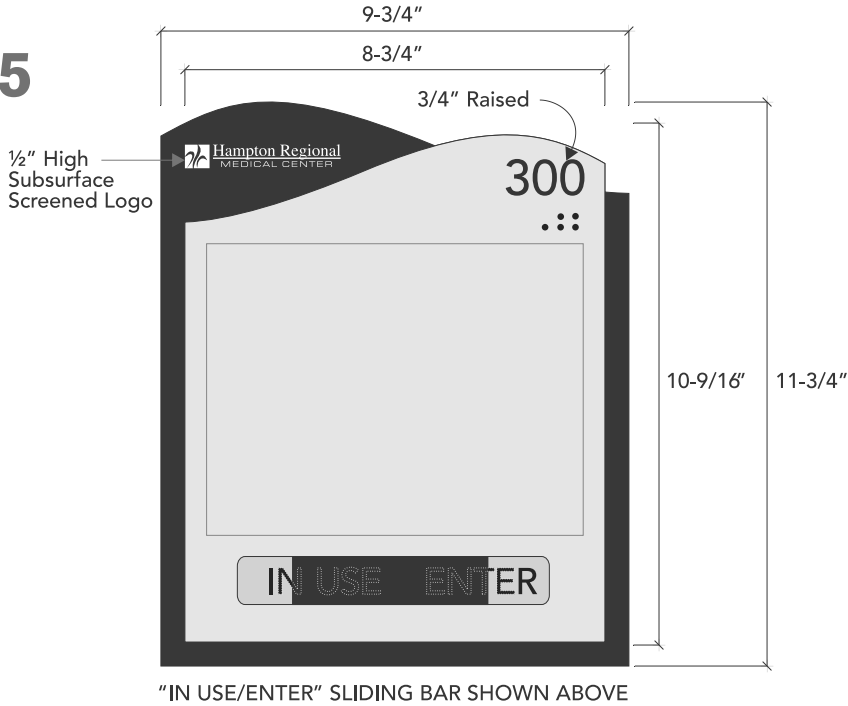
6.44



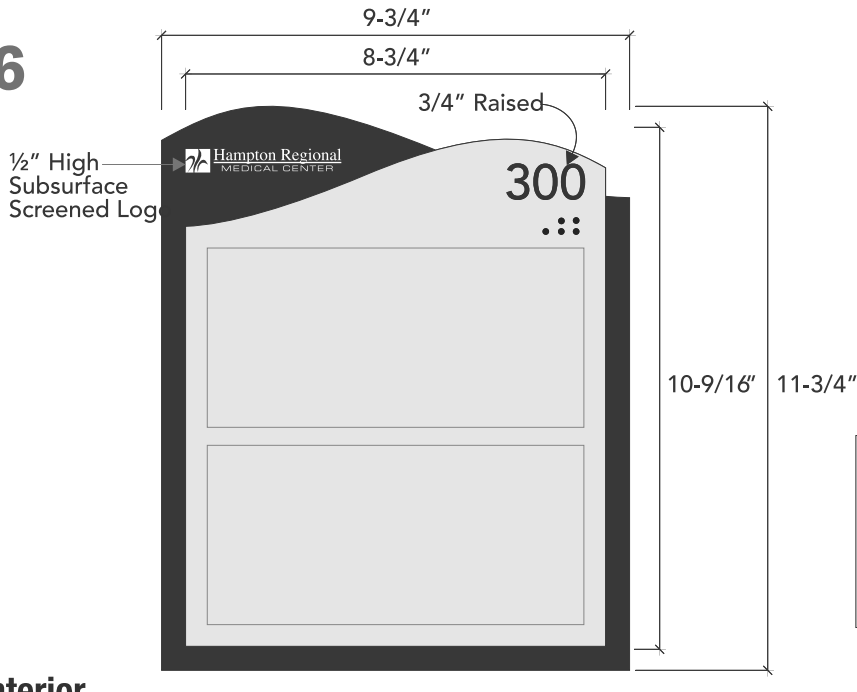
Interior

This drawing and the ideas expressed remain the confidential property of INNERFACE. This drawing and its ideas are not to be reproduced, copied, or disclosed to any other person or entity without the express written consent of a representative or agent of INNERFACE.

6.5



6.6

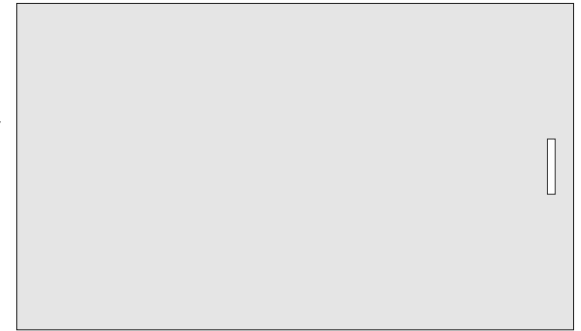
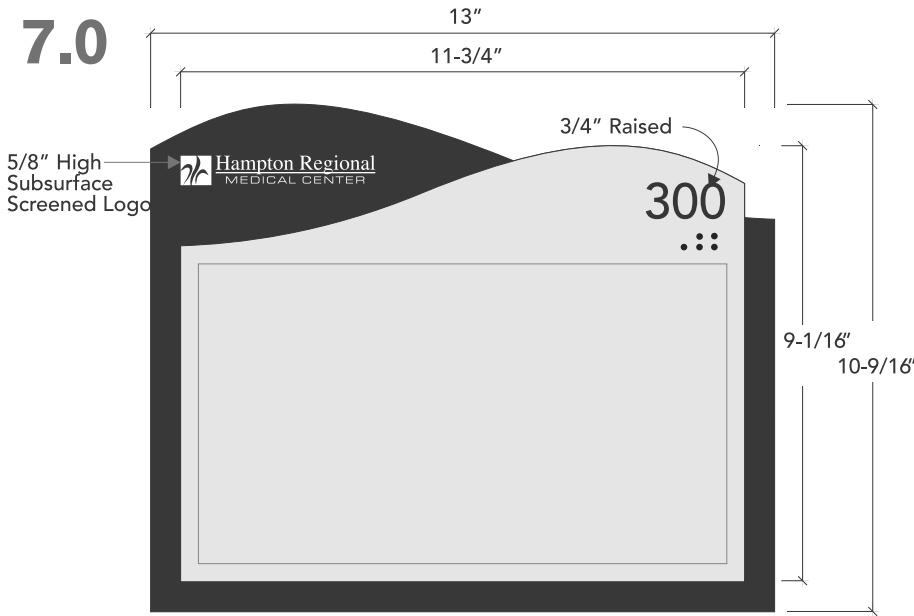


Interior

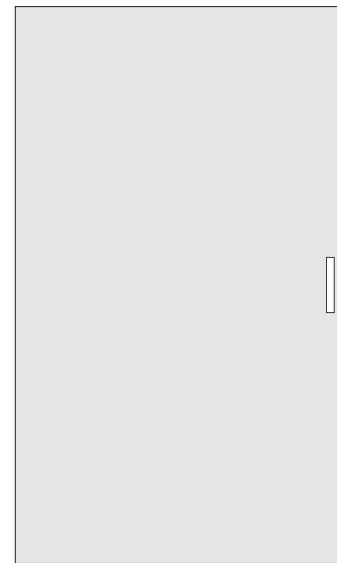
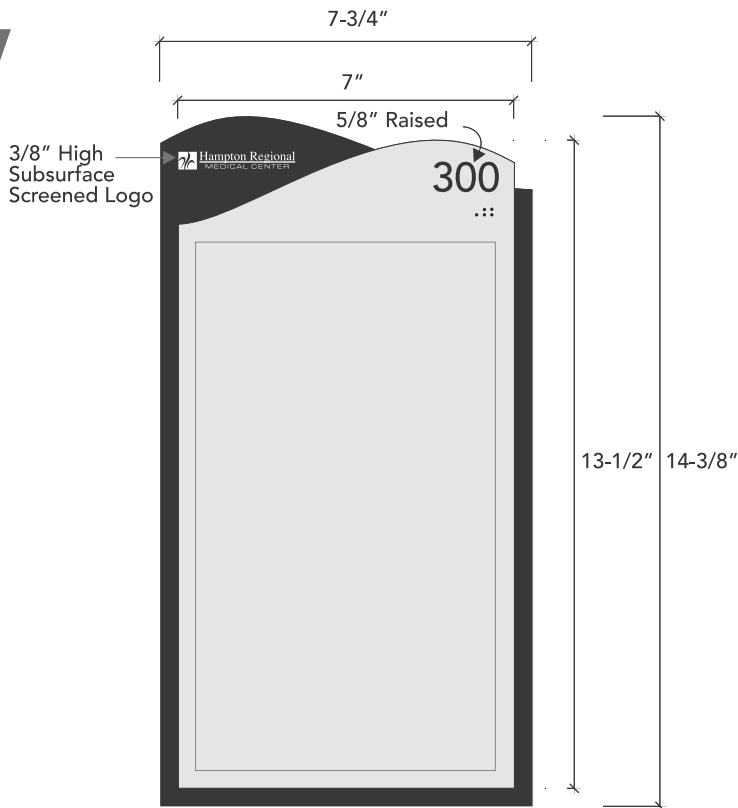
This drawing and the ideas expressed remain the confidential property of INNERFACE. This drawing and its ideas are not to be reproduced, copied, or disclosed to any other person or entity without the express written consent of a representative or agent of INNERFACE.

WAVE SERIES

7.0



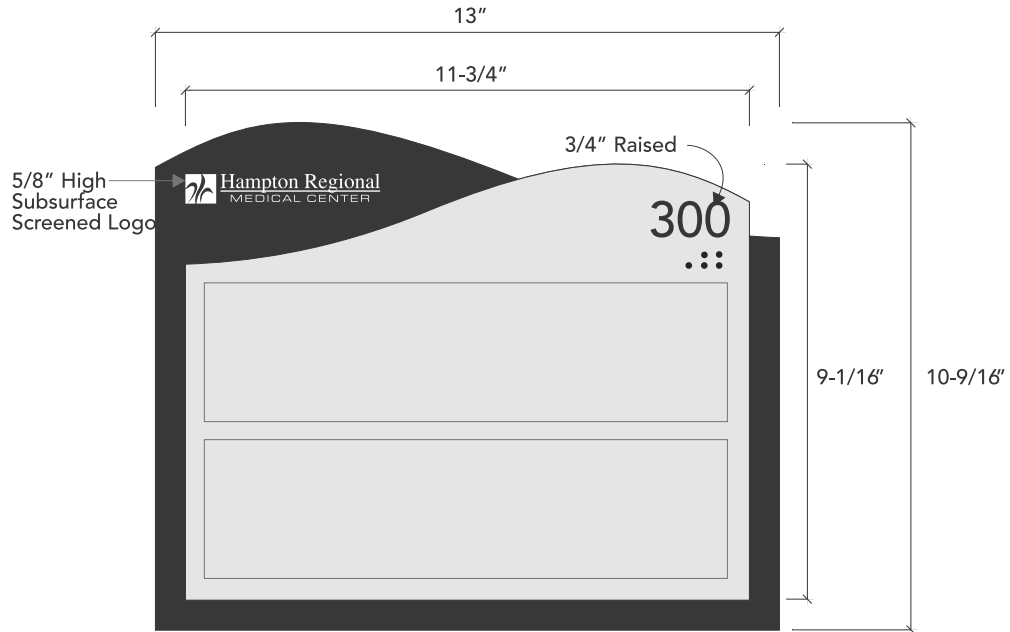
7.0V



Interior

This drawing and the ideas expressed remain the confidential property of INNERFACE. This drawing and its ideas are not to be reproduced, copied, or disclosed to any other person or entity without the express written consent of a representative or agent of INNERFACE.

7.1



MODULE 7/A INSERT (TOP)

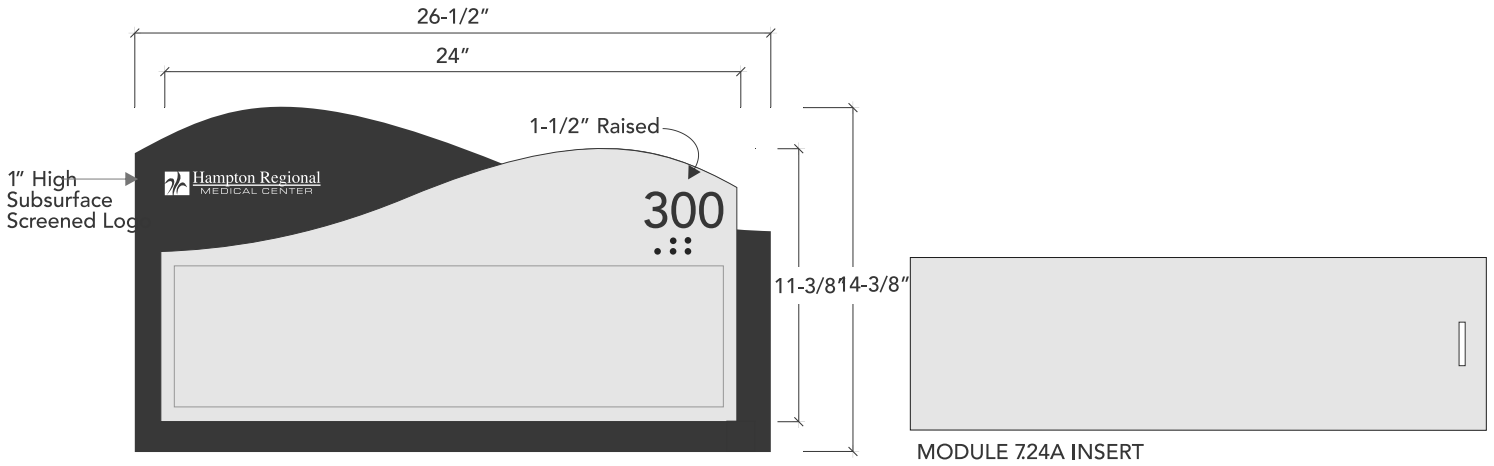


MODULE 7/B INSERT (BOTTOM)

Interior

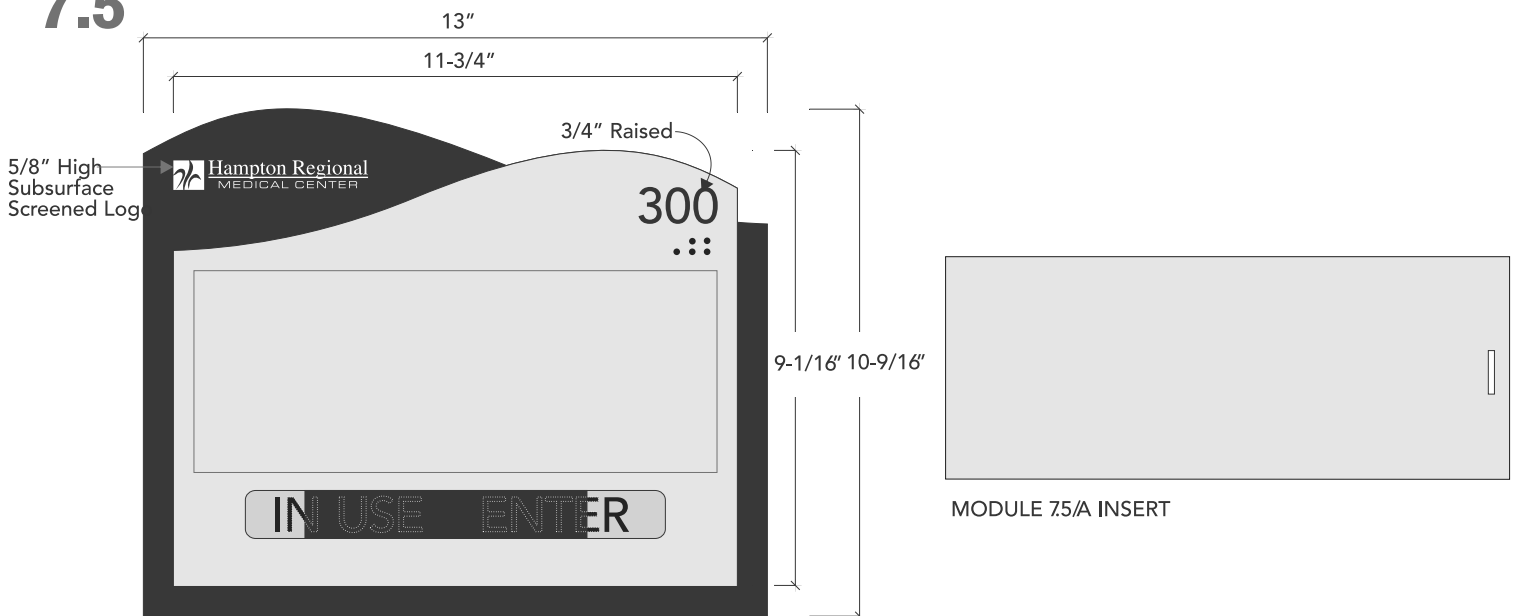
This drawing and the ideas expressed remain the confidential property of INNERFACE. This drawing and its ideas are not to be reproduced, copied, or disclosed to any other person or entity without the express written consent of a representative or agent of INNERFACE.

7.24



SCALE = 1:8

7.5

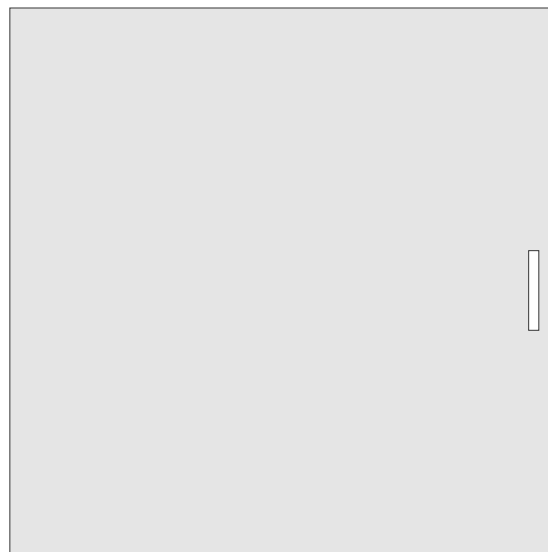
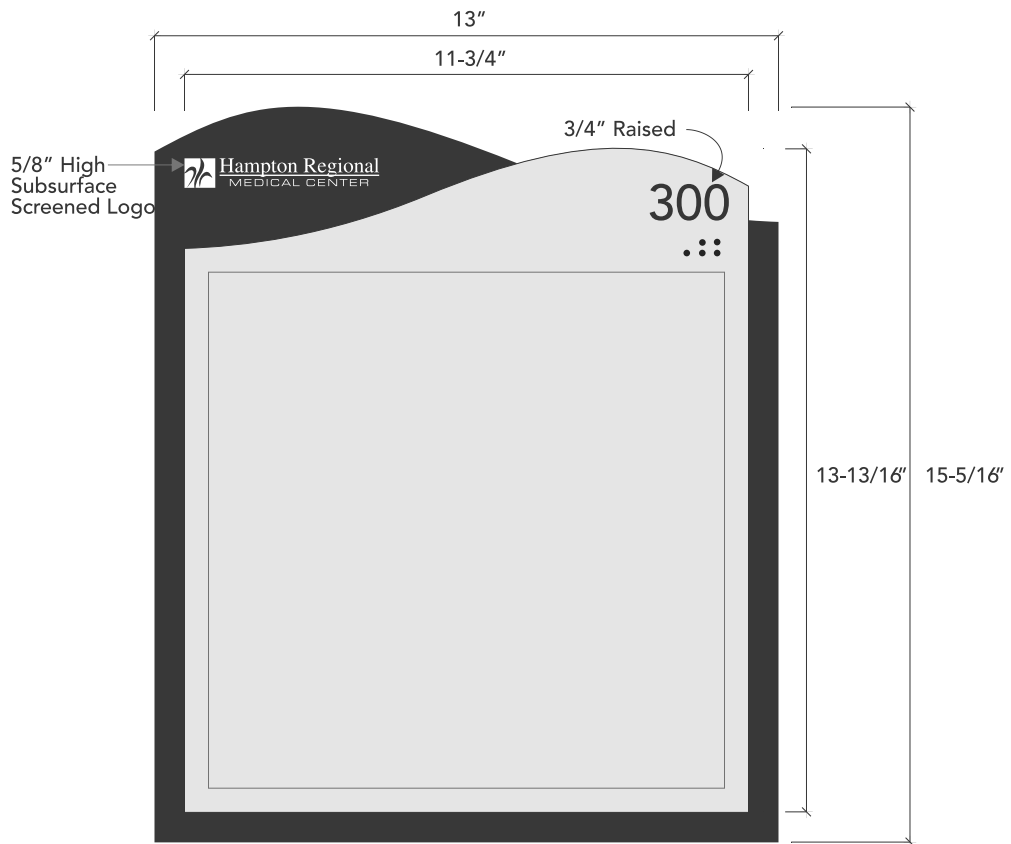


"IN USE/ENTER" SLIDING BAR SHOWN ABOVE

Interior

This drawing and the ideas expressed remain the confidential property of INNERFACE. This drawing and its ideas are not to be reproduced, copied, or disclosed to any other person or entity without the express written consent of a representative or agent of INNERFACE.

8.0

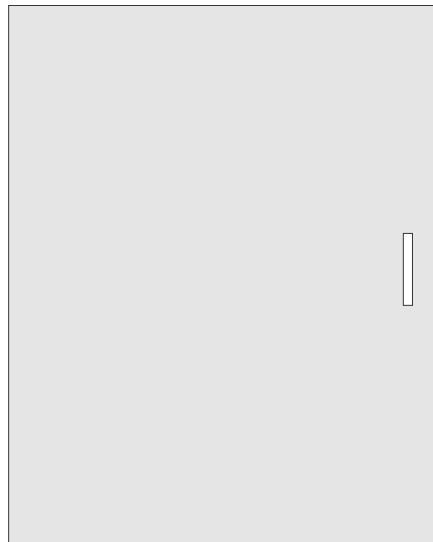
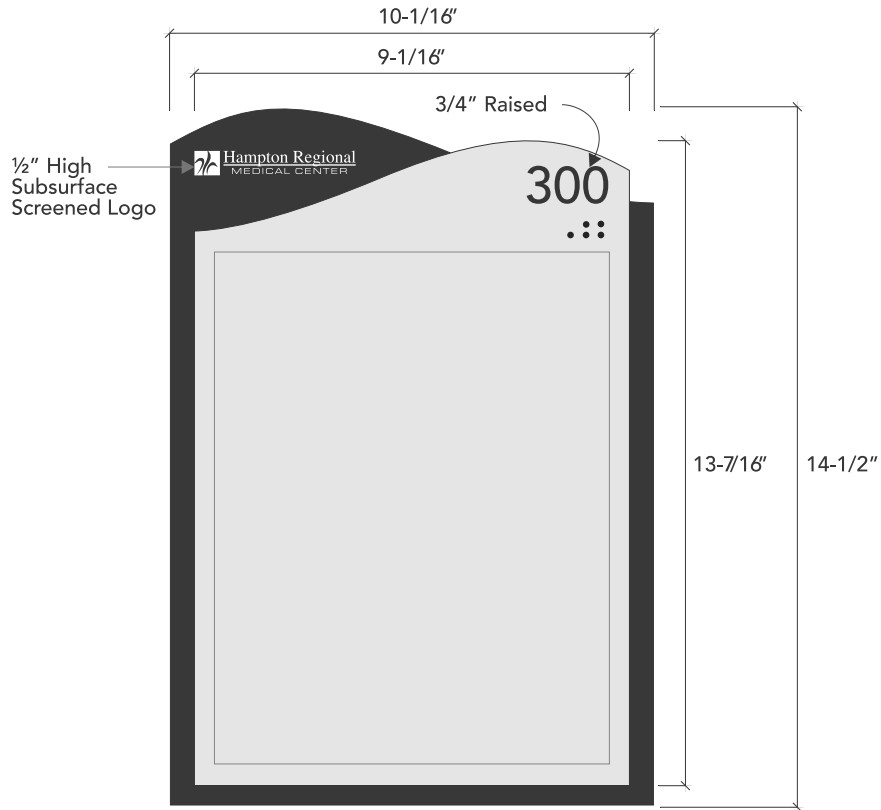


MODULE 8.0/A INSERT

Interior

This drawing and the ideas expressed remain the confidential property of INNERFACE. This drawing and its ideas are not to be reproduced, copied, or disclosed to any other person or entity without the express written consent of a representative or agent of INNERFACE.

8.11

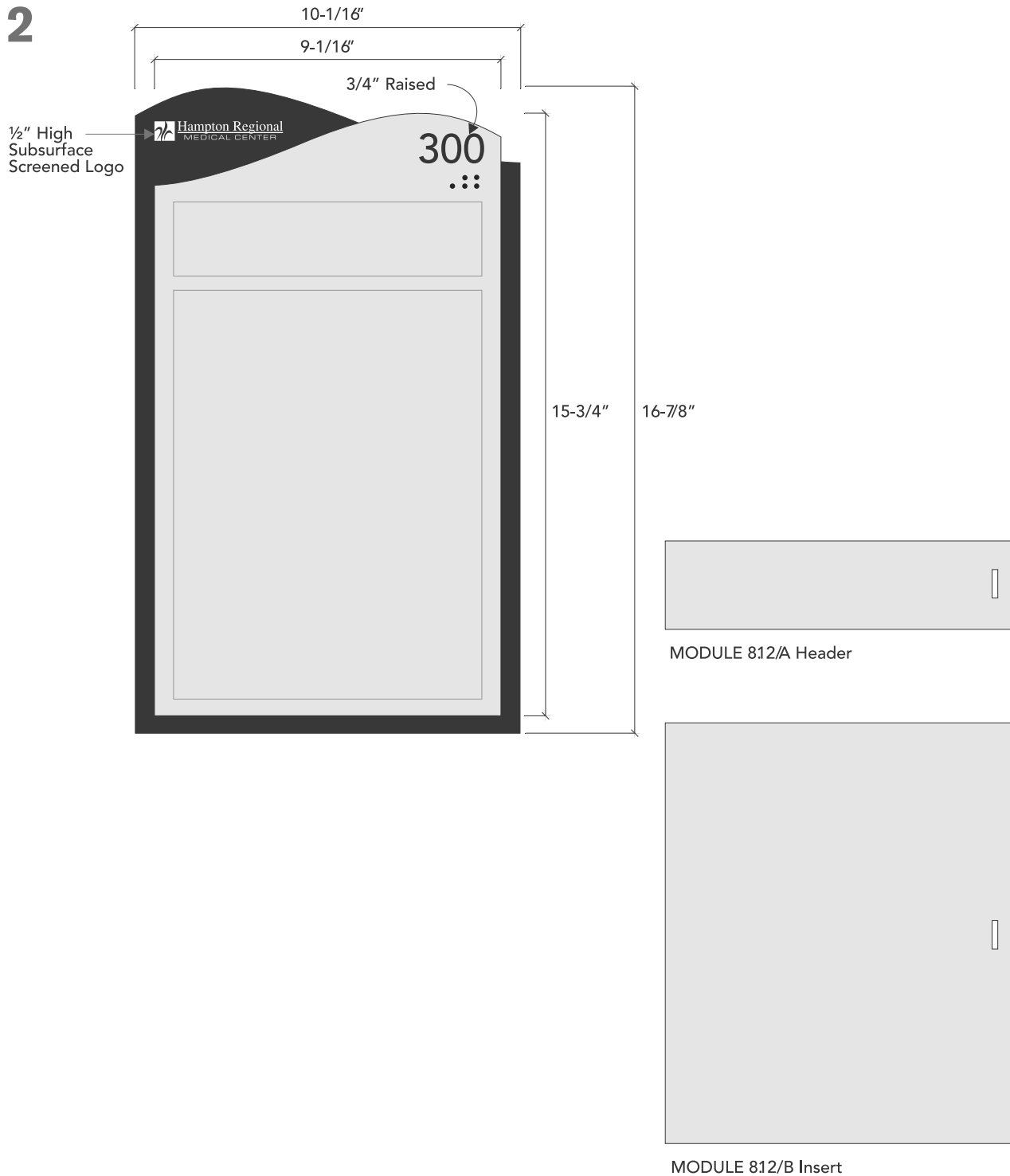


MODULE 811/A INSERT

Interior

This drawing and the ideas expressed remain the confidential property of INNERFACE. This drawing and its ideas are not to be reproduced, copied, or disclosed to any other person or entity without the express written consent of a representative or agent of INNERFACE.

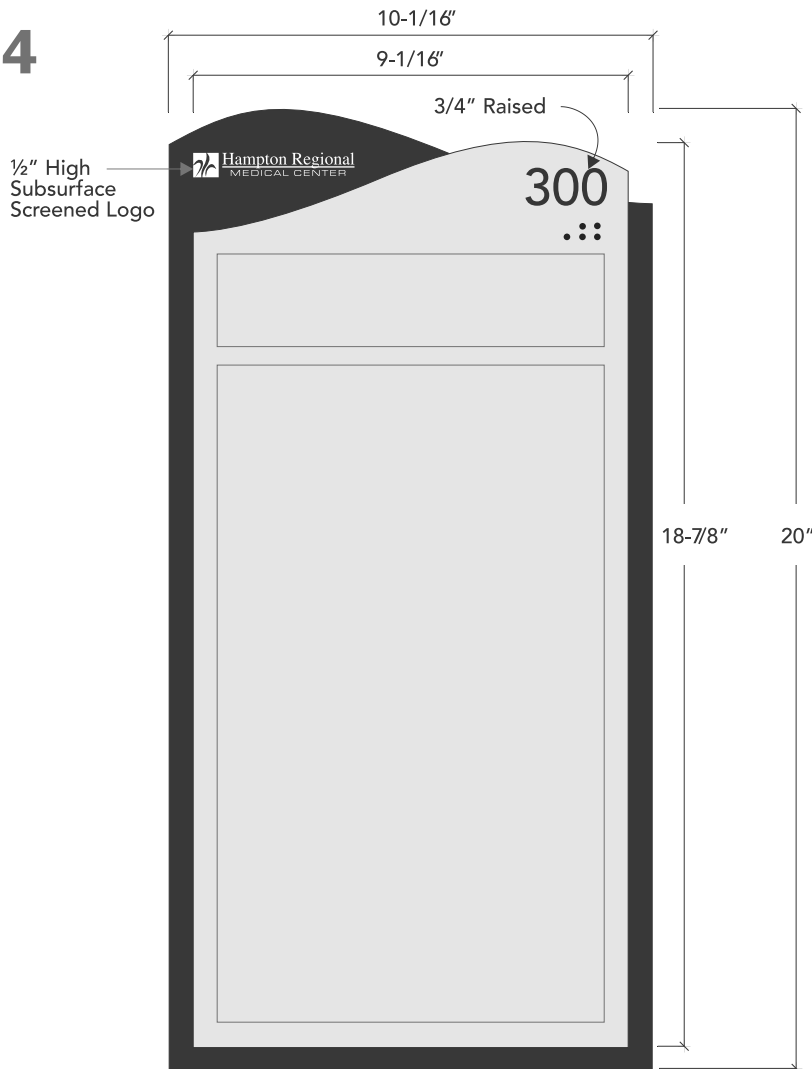
8.12



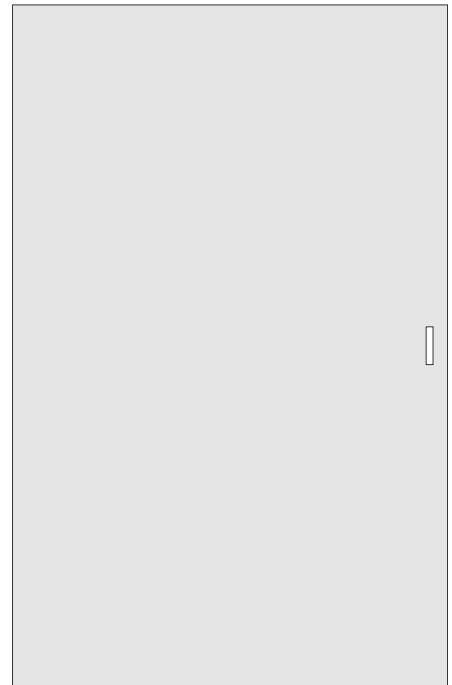
Interior

This drawing and the ideas expressed remain the confidential property of INNERFACE. This drawing and its ideas are not to be reproduced, copied, or disclosed to any other person or entity without the express written consent of a representative or agent of INNERFACE.

8.14



MODULE 814/A Header

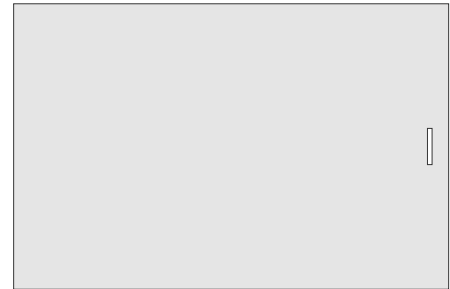
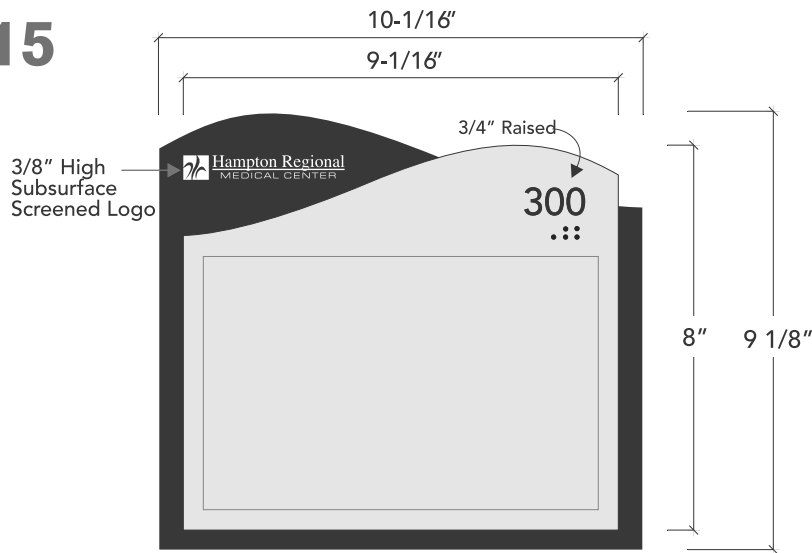


MODULE 814/B Insert

Interior

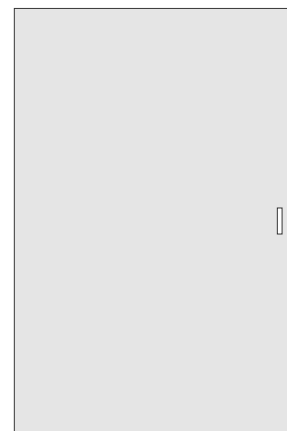
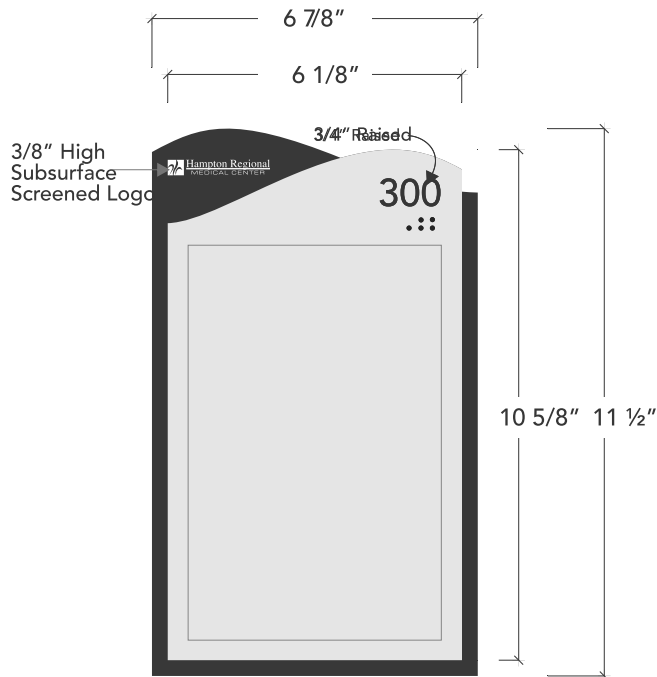
This drawing and the ideas expressed remain the confidential property of INNERFACE. This drawing and its ideas are not to be reproduced, copied, or disclosed to any other person or entity without the express written consent of a representative or agent of INNERFACE.

8.15



MODULE 815/A INSERT

8.15V

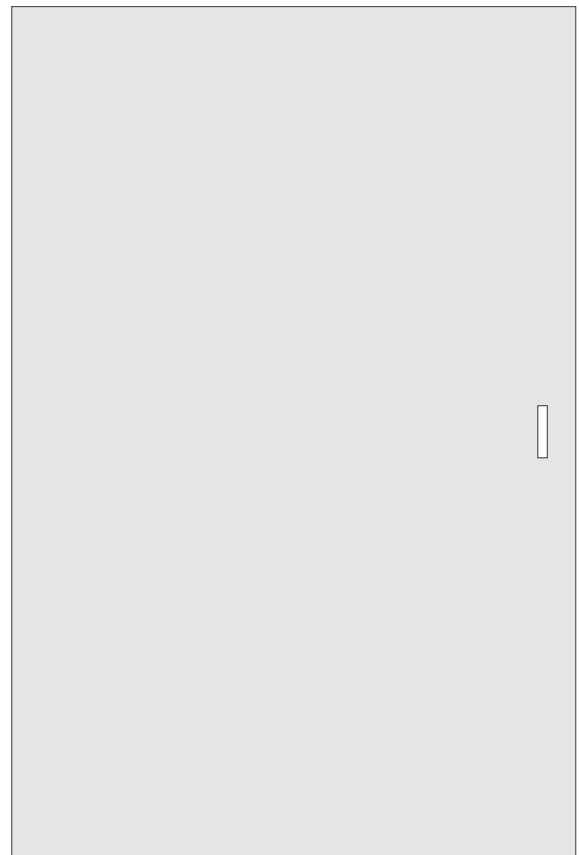
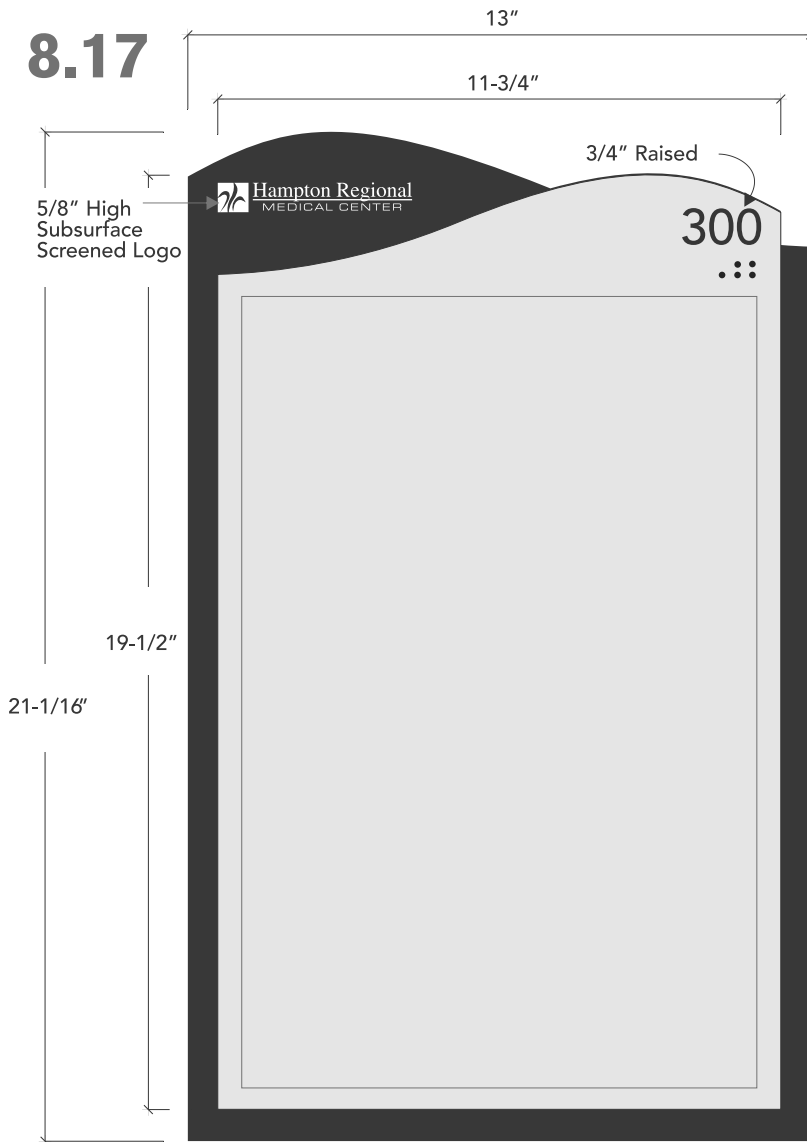


MODULE 815V/A Insert

Interior

This drawing and the ideas expressed remain the confidential property of INNERFACE. This drawing and its ideas are not to be reproduced, copied, or disclosed to any other person or entity without the express written consent of a representative or agent of INNERFACE.

WAVE SERIES

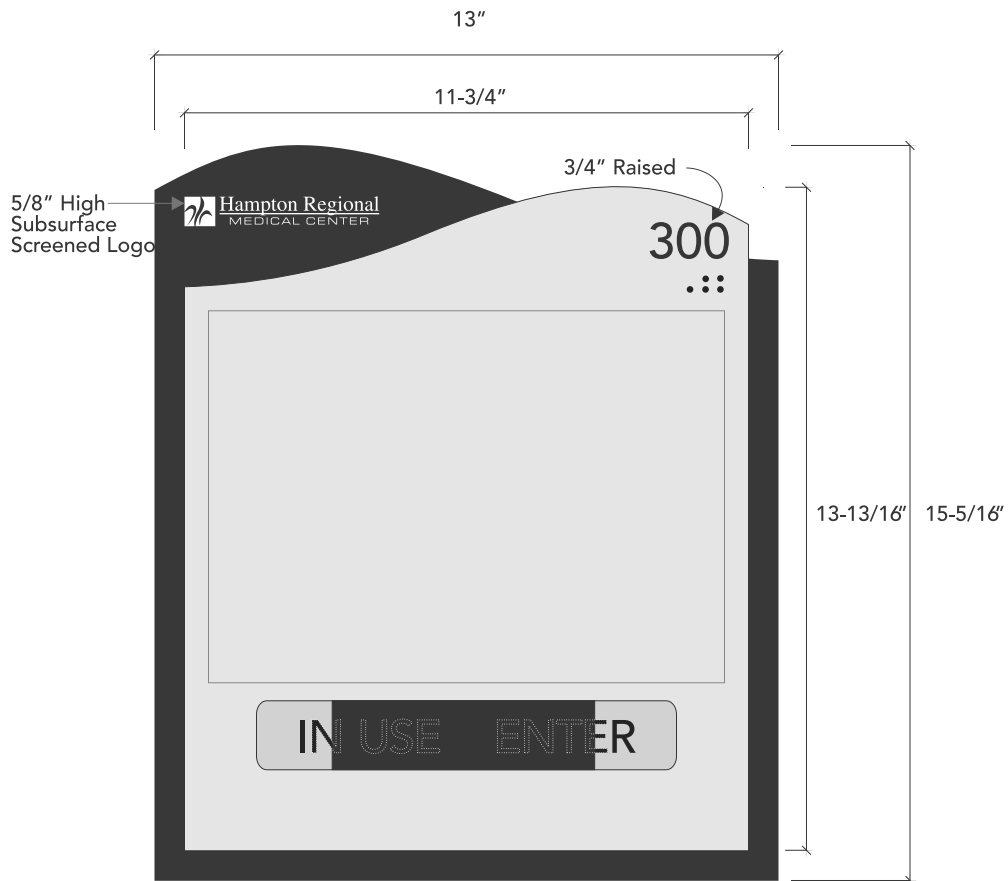


MODULE 817/A Insert

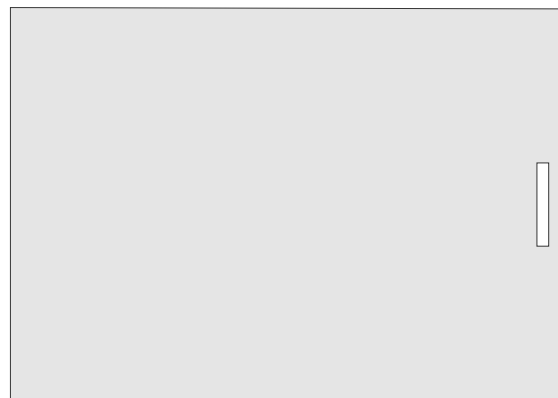
Interior

This drawing and the ideas expressed remain the confidential property of INNERFACE. This drawing and its ideas are not to be reproduced, copied, or disclosed to any other person or entity without the express written consent of a representative or agent of INNERFACE.

8.5



"IN USE/ENTER" SLIDING BAR SHOWN ABOVE

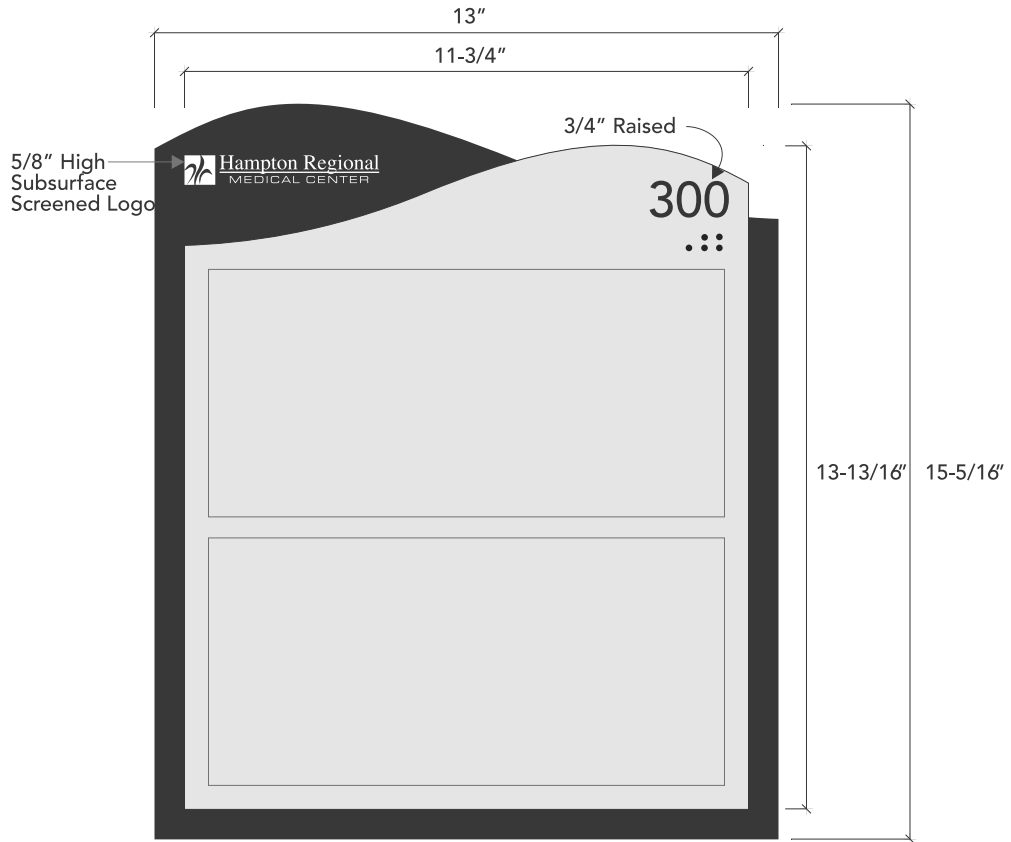


MODULE 8.5/A INSERT

Interior

This drawing and the ideas expressed remain the confidential property of INNERFACE. This drawing and its ideas are not to be reproduced, copied, or disclosed to any other person or entity without the express written consent of a representative or agent of INNERFACE.

8.6

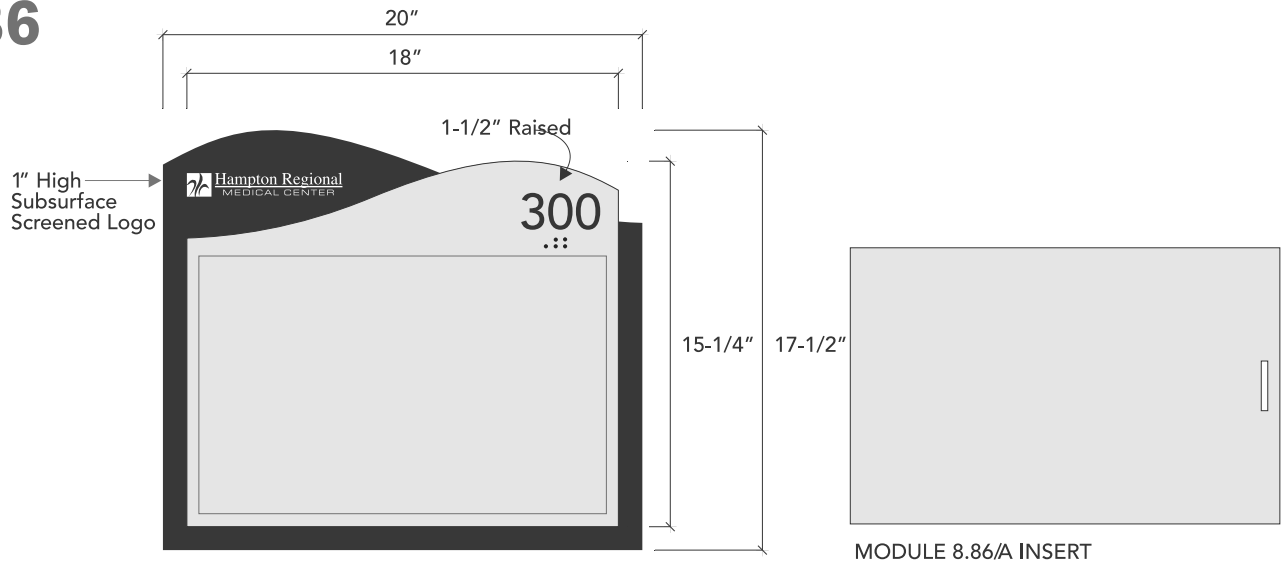


MODULE 8.6/A INSERT
Qty 2

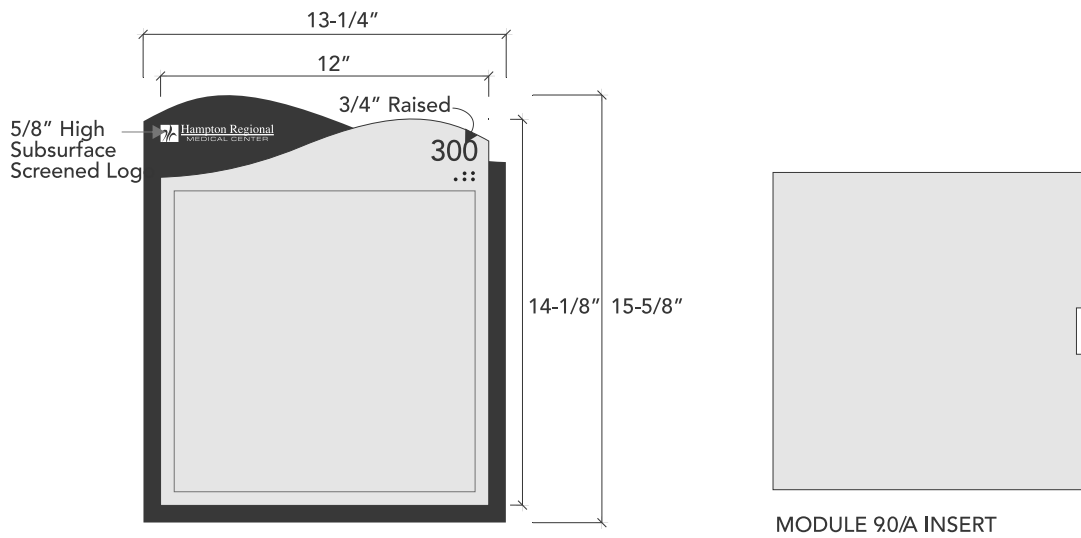
Interior

This drawing and the ideas expressed remain the confidential property of INNERFACE. This drawing and its ideas are not to be reproduced, copied, or disclosed to any other person or entity without the express written consent of a representative or agent of INNERFACE.

8.86



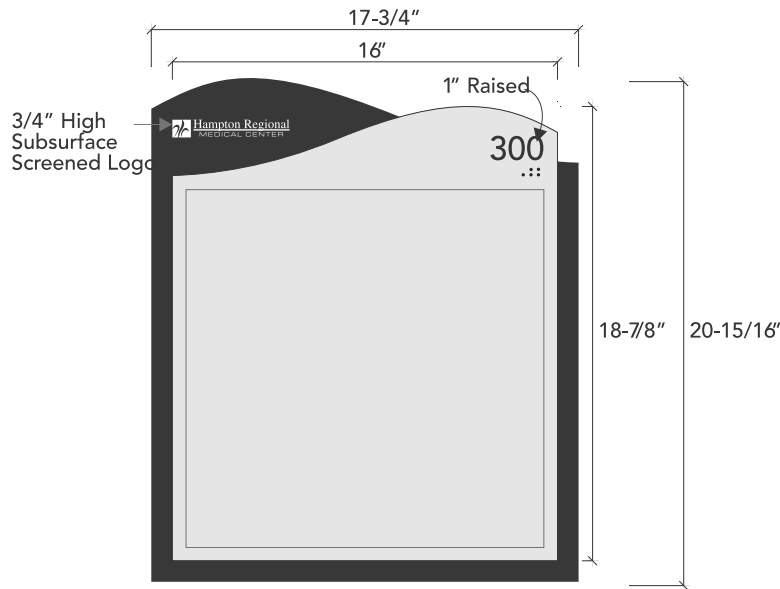
8.99



Interior

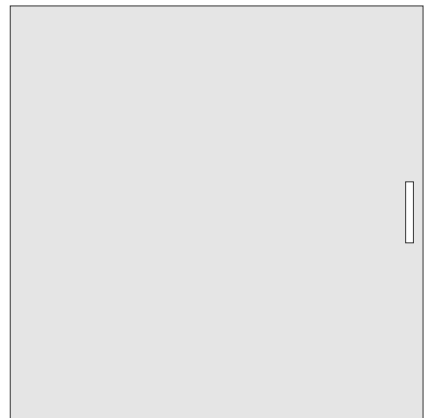
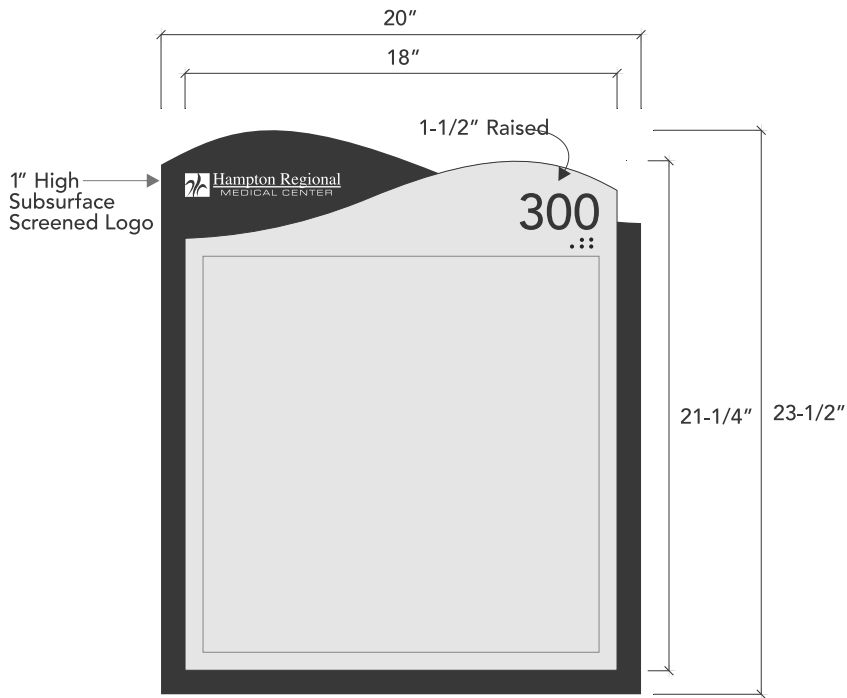
This drawing and the ideas expressed remain the confidential property of INNERFACE. This drawing and its ideas are not to be reproduced, copied, or disclosed to any other person or entity without the express written consent of a representative or agent of INNERFACE.

9.0



MODULE 9.0/A INSERT

9.1

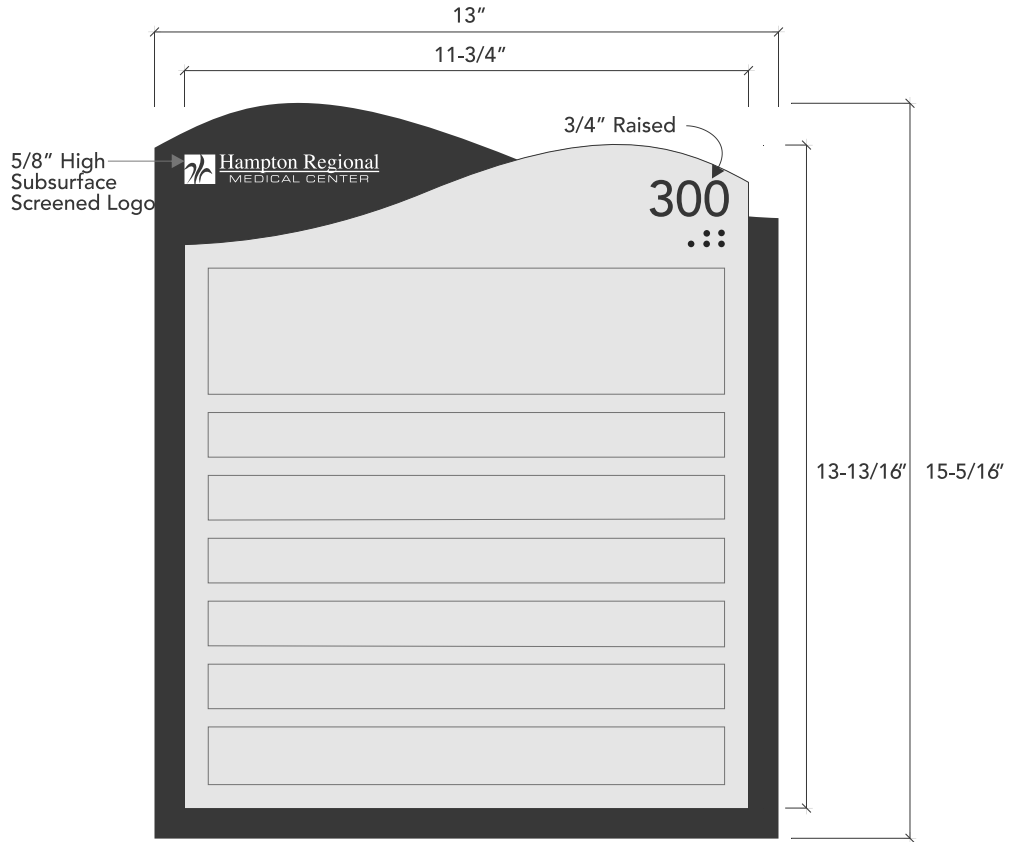


MODULE 9.1/A INSERT

Interior

This drawing and the ideas expressed remain the confidential property of INTERFACE. This drawing and its ideas are not to be reproduced, copied, or disclosed to any other person or entity without the express written consent of a representative or agent of INTERFACE.

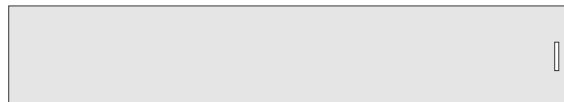
10.0



MODULE 10.0/A HEADER INSERT



MODULE 10.0/B STRIP INSERT
Qty 5

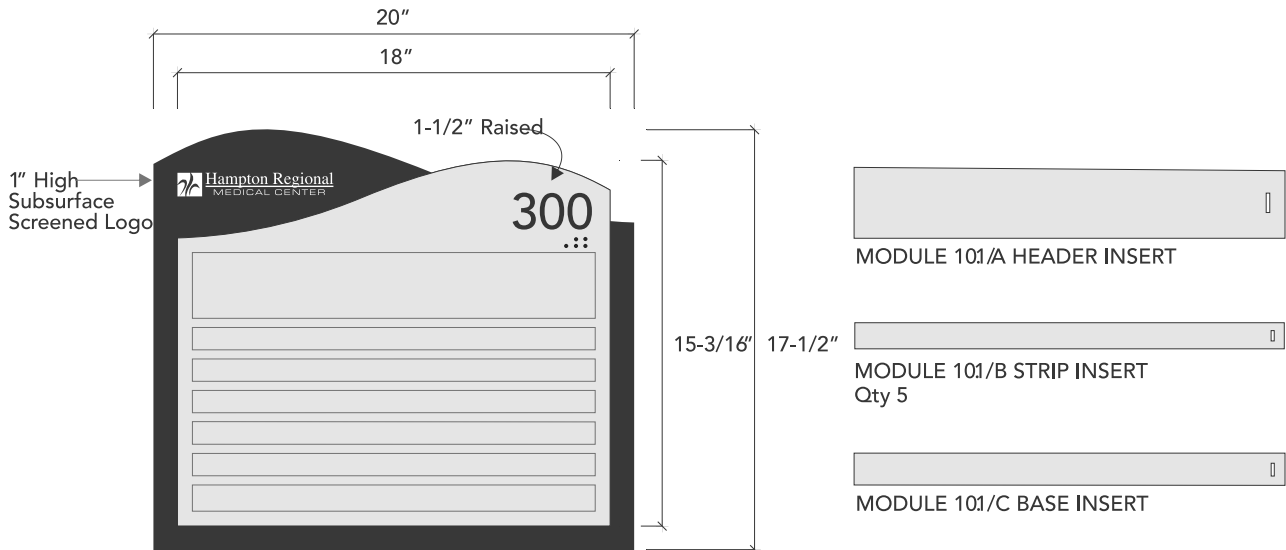


MODULE 10.0/C BASE INSERT

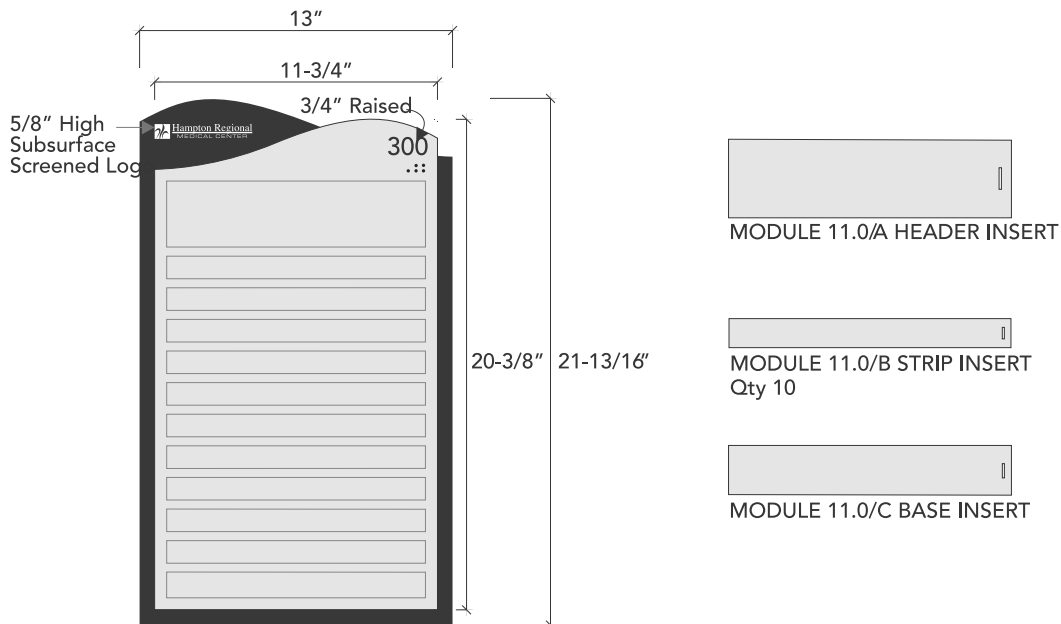
Interior

This drawing and the ideas expressed remain the confidential property of INNERFACE. This drawing and its ideas are not to be reproduced, copied, or disclosed to any other person or entity without the express written consent of a representative or agent of INNERFACE.

10.1



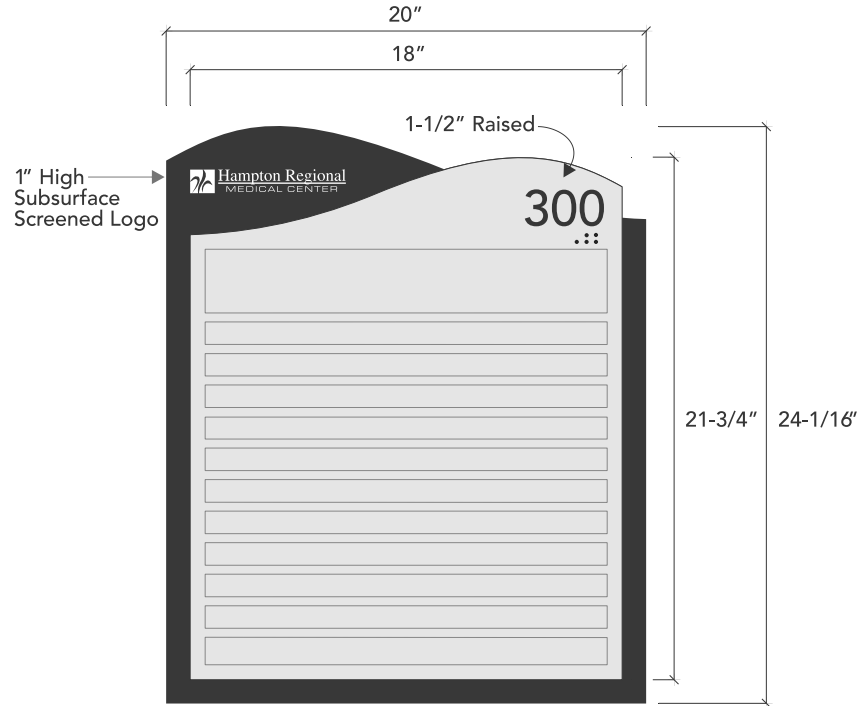
11.0



Interior

This drawing and the ideas expressed remain the confidential property of INNERFACE. This drawing and its ideas are not to be reproduced, copied, or disclosed to any other person or entity without the express written consent of a representative or agent of INNERFACE.

11.1



MODULE 111/A HEADER INSERT



MODULE 111/B STRIP INSERT
Qty 10

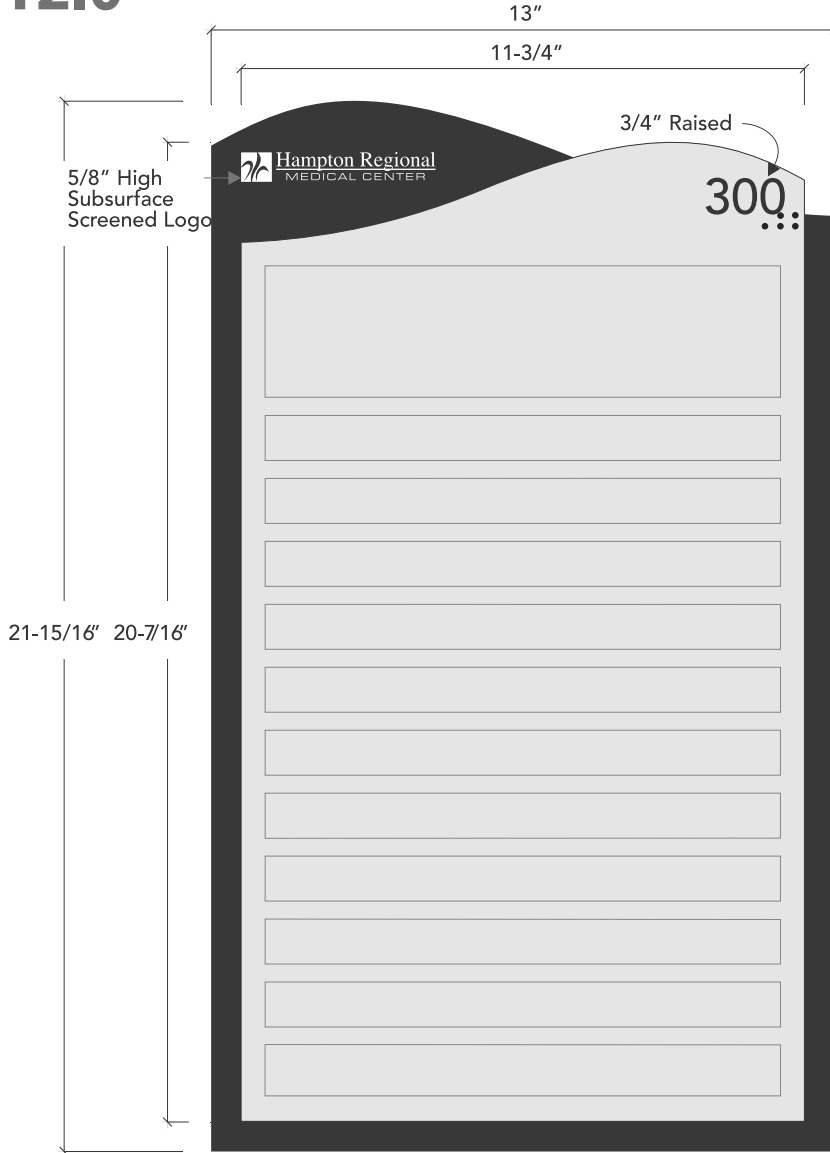


MODULE 111/C BASE INSERT

Interior

This drawing and the ideas expressed remain the confidential property of INNERFACE. This drawing and its ideas are not to be reproduced, copied, or disclosed to any other person or entity without the express written consent of a representative or agent of INNERFACE.

12.0



MODULE 12.0/A HEADER INSERT



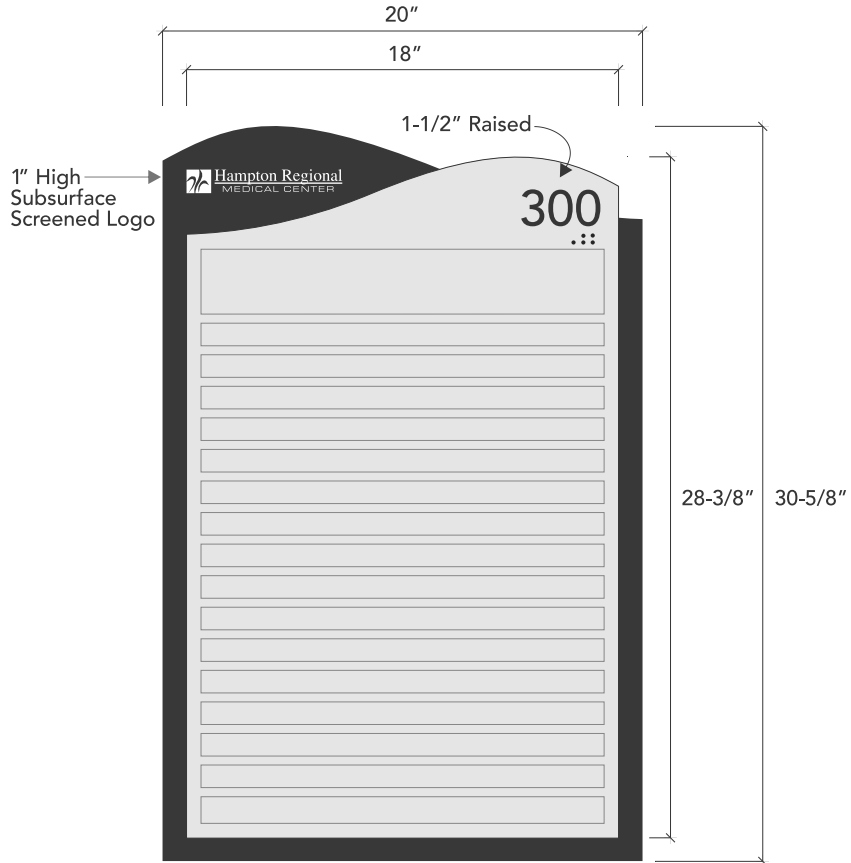
MODULE 12.0/B STRIP INSERT
Qty 15



MODULE 12.0/C BASE INSERT

Interior
This drawing and the ideas expressed remain the confidential property of INNERFACE. This drawing and its ideas are not to be reproduced, copied, or disclosed to any other person or entity without the express written consent of a representative or agent of INNERFACE.

12.1



MODULE 121/A HEADER INSERT



MODULE 121/B STRIP INSERT
Qty 15

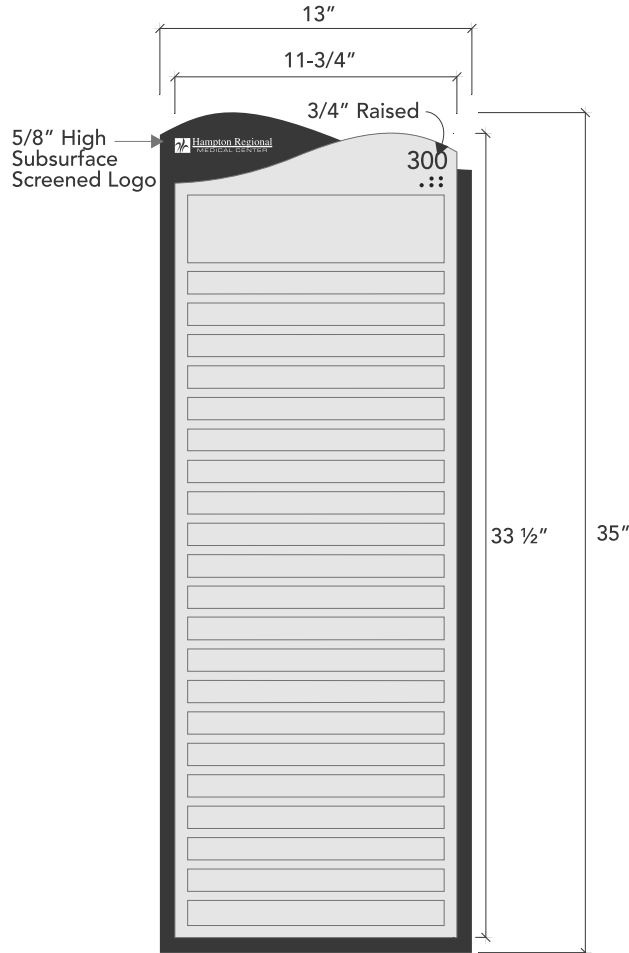


MODULE 121/C BASE INSERT

Interior

This drawing and the ideas expressed remain the confidential property of INNERFACE. This drawing and its ideas are not to be reproduced, copied, or disclosed to any other person or entity without the express written consent of a representative or agent of INNERFACE.

13.0



MODULE 13.0/A HEADER INSERT



MODULE 13.0/B STRIP INSERT
Qty 20

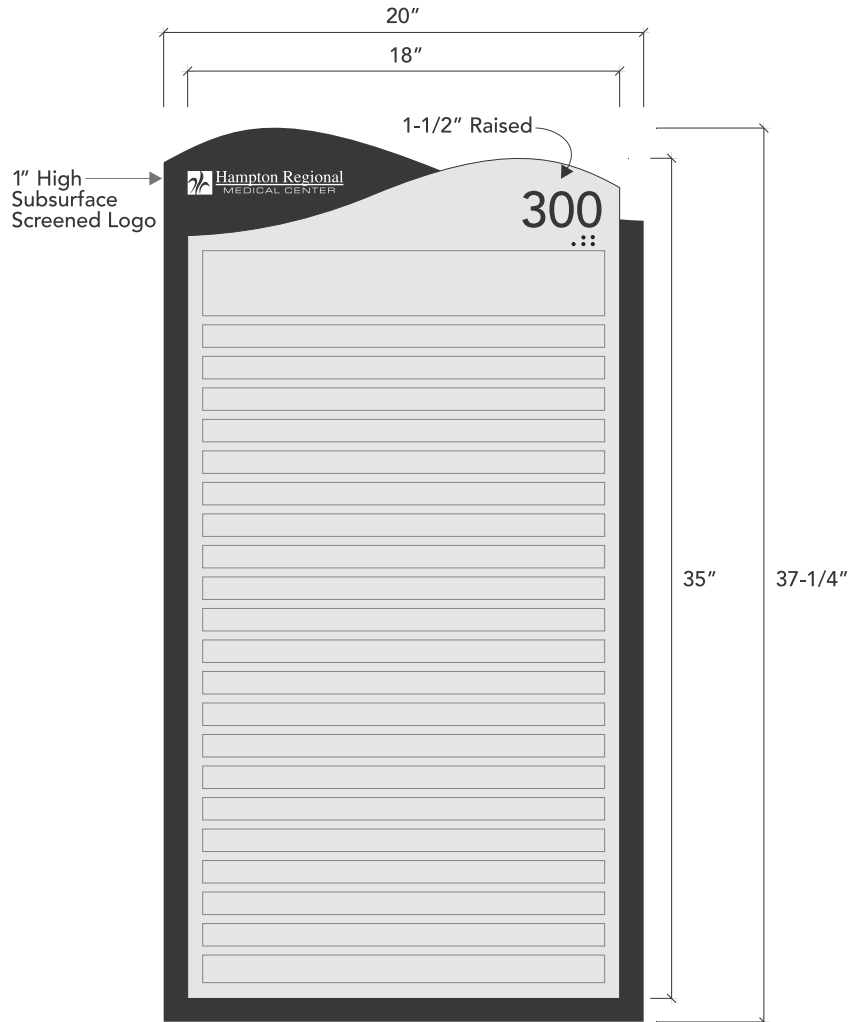


MODULE 13.0/C BASE INSERT

Interior

This drawing and the ideas expressed remain the confidential property of INNERFACE. This drawing and its ideas are not to be reproduced, copied, or disclosed to any other person or entity without the express written consent of a representative or agent of INNERFACE.

13.1



MODULE 131/A HEADER INSERT



MODULE 131/B STRIP INSERT
Qty 20

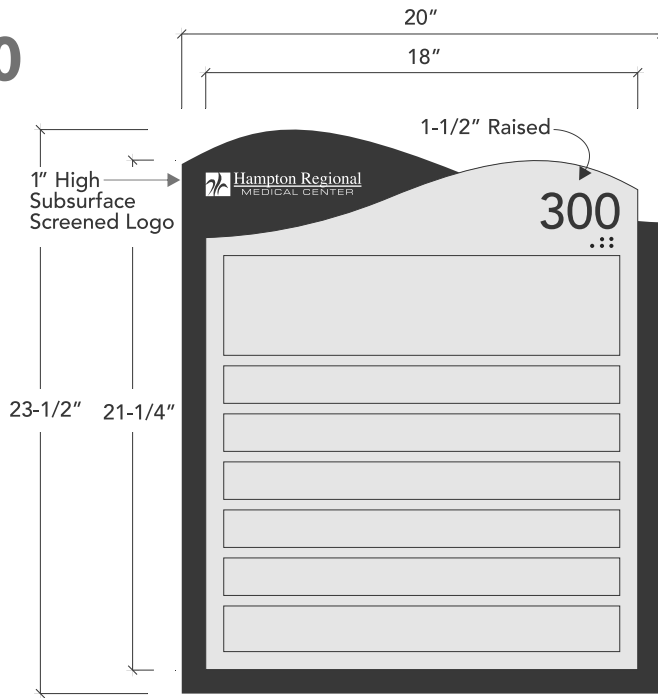


MODULE 131/C BASE INSERT

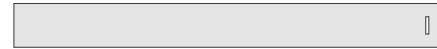
Interior

This drawing and the ideas expressed remain the confidential property of INNERFACE. This drawing and its ideas are not to be reproduced, copied, or disclosed to any other person or entity without the express written consent of a representative or agent of INNERFACE.

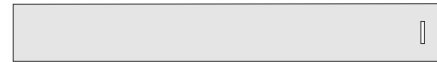
14.0



MODULE 14.0/A HEADER INSERT

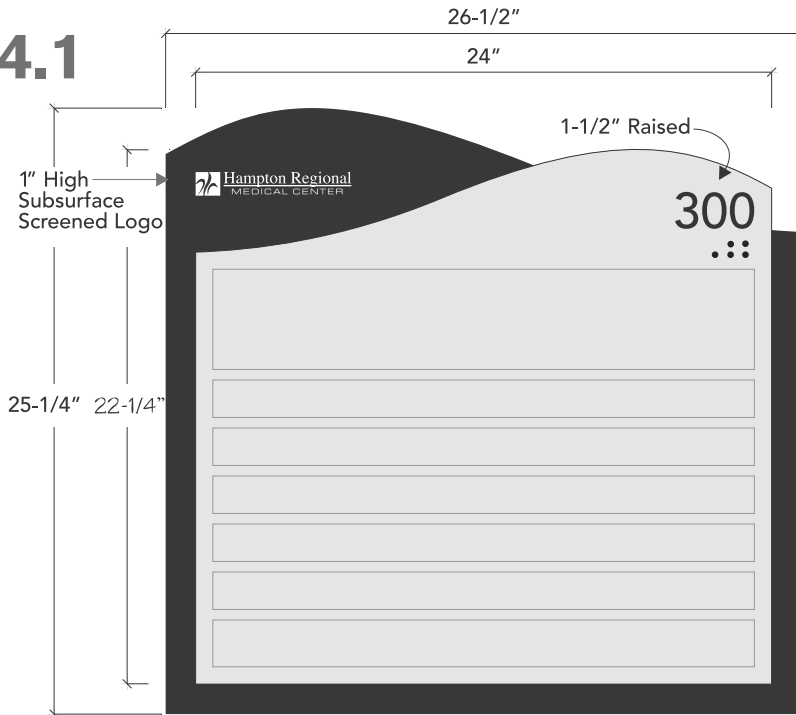


MODULE 14.0/B STRIP INSERT
Qty 5

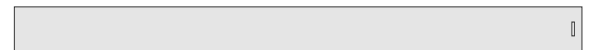


MODULE 14.0/C BASE INSERT

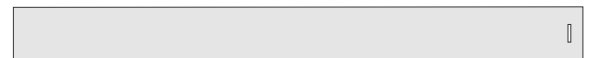
14.1



MODULE 141/A HEADER INSERT



MODULE 141/B STRIP INSERT
Qty 5

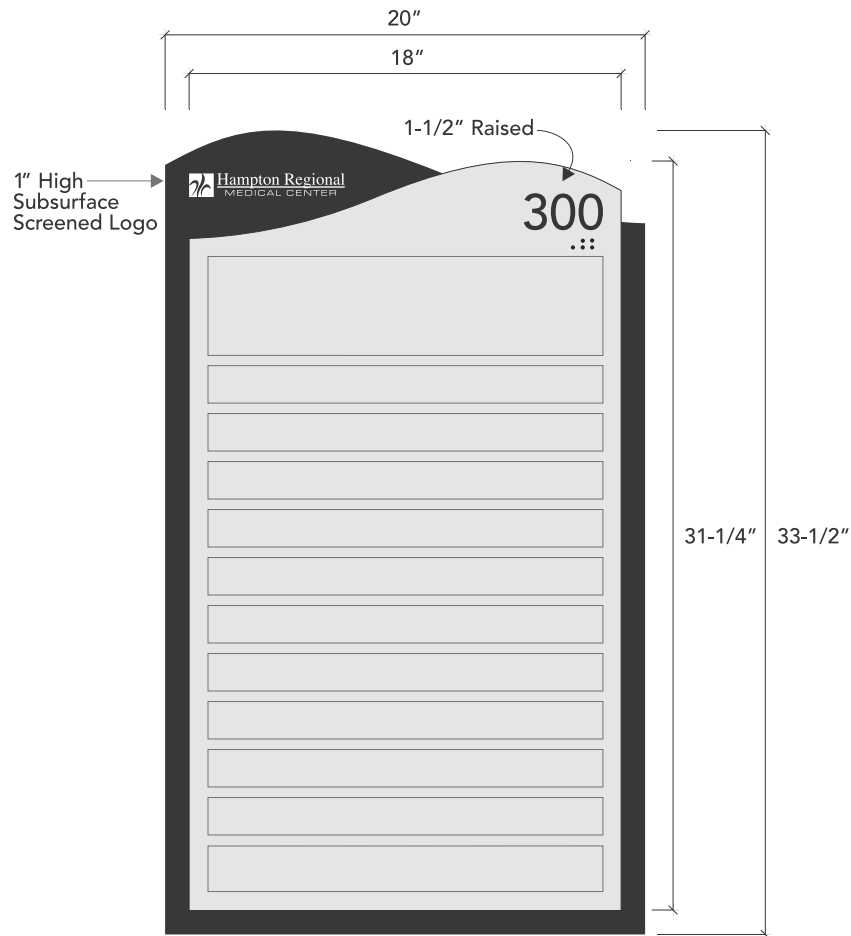


MODULE 141/C BASE INSERT

Interior

This drawing and the ideas expressed remain the confidential property of INNERFACE. This drawing and its ideas are not to be reproduced, copied, or disclosed to any other person or entity without the express written consent of a representative or agent of INNERFACE.

15.0



MODULE 15.0/A HEADER INSERT



MODULE 15.0/B STRIP INSERT
Qty 10

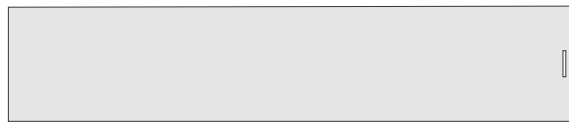
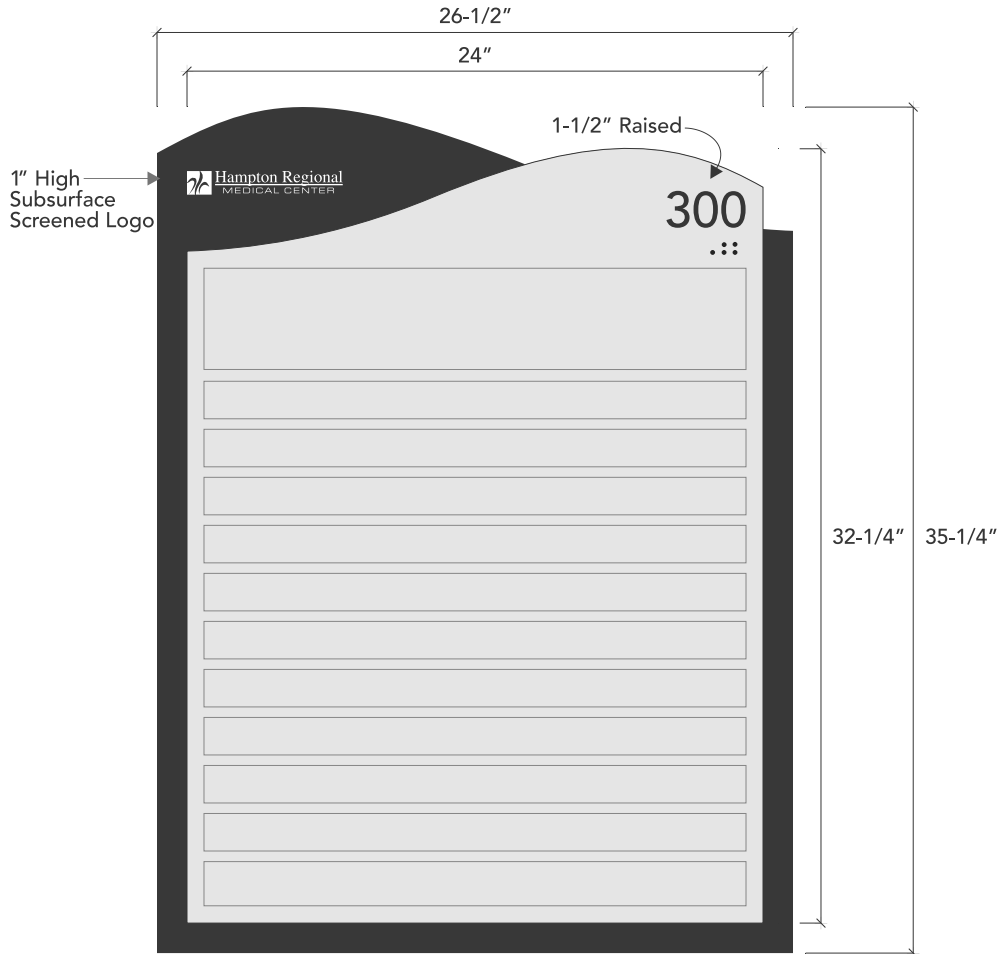


MODULE 15.0/C BASE INSERT

Interior

This drawing and the ideas expressed remain the confidential property of INNERFACE. This drawing and its ideas are not to be reproduced, copied, or disclosed to any other person or entity without the express written consent of a representative or agent of INNERFACE.

15.1



MODULE 151/A HEADER INSERT



MODULE 151/B STRIP INSERT
Qty 10

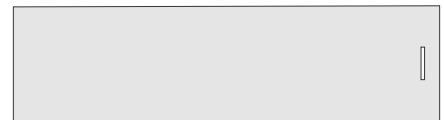
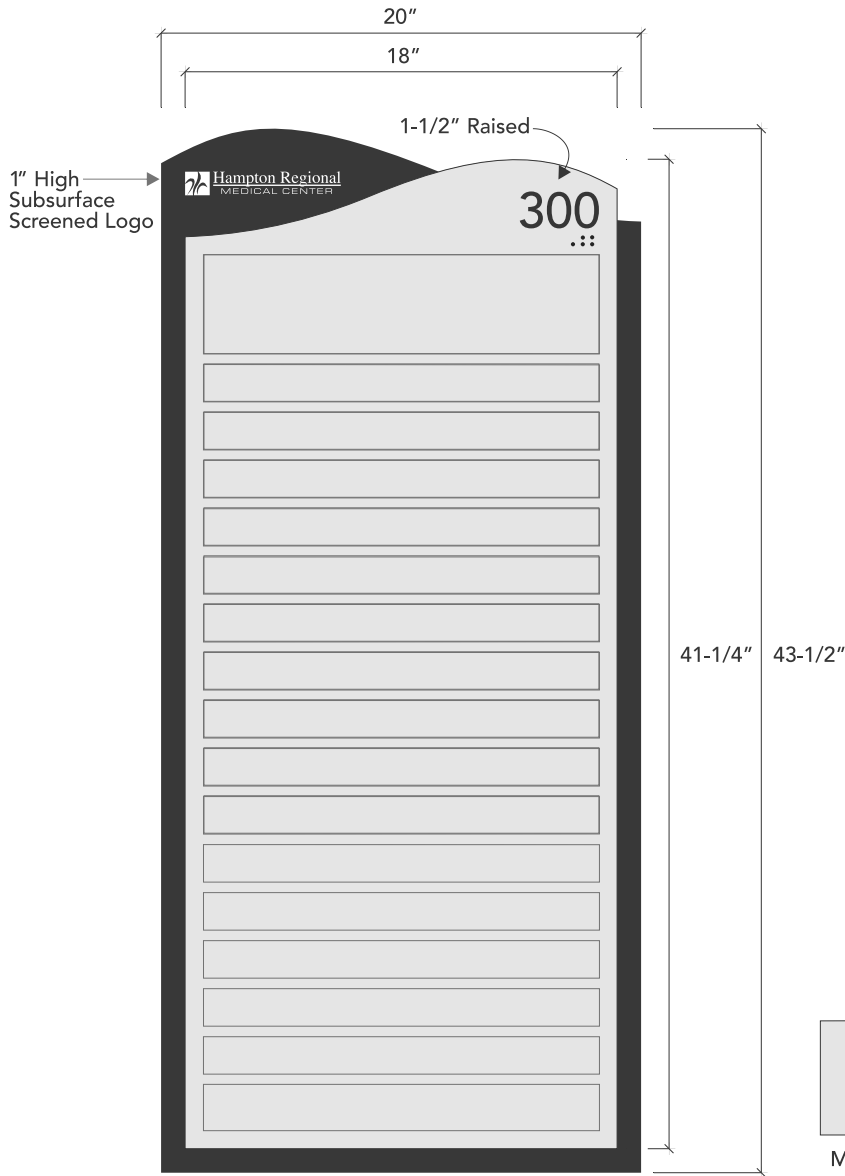


MODULE 151/C BASE INSERT

Interior

This drawing and the ideas expressed remain the confidential property of INNERFACE. This drawing and its ideas are not to be reproduced, copied or disclosed to any other person or entity without the express written consent of a representative or agent of INNERFACE.

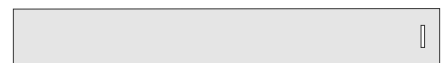
16.0



MODULE 16.0/A HEADER INSERT



MODULE 16.0/B STRIP IN
Qty 15

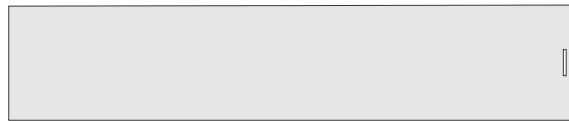
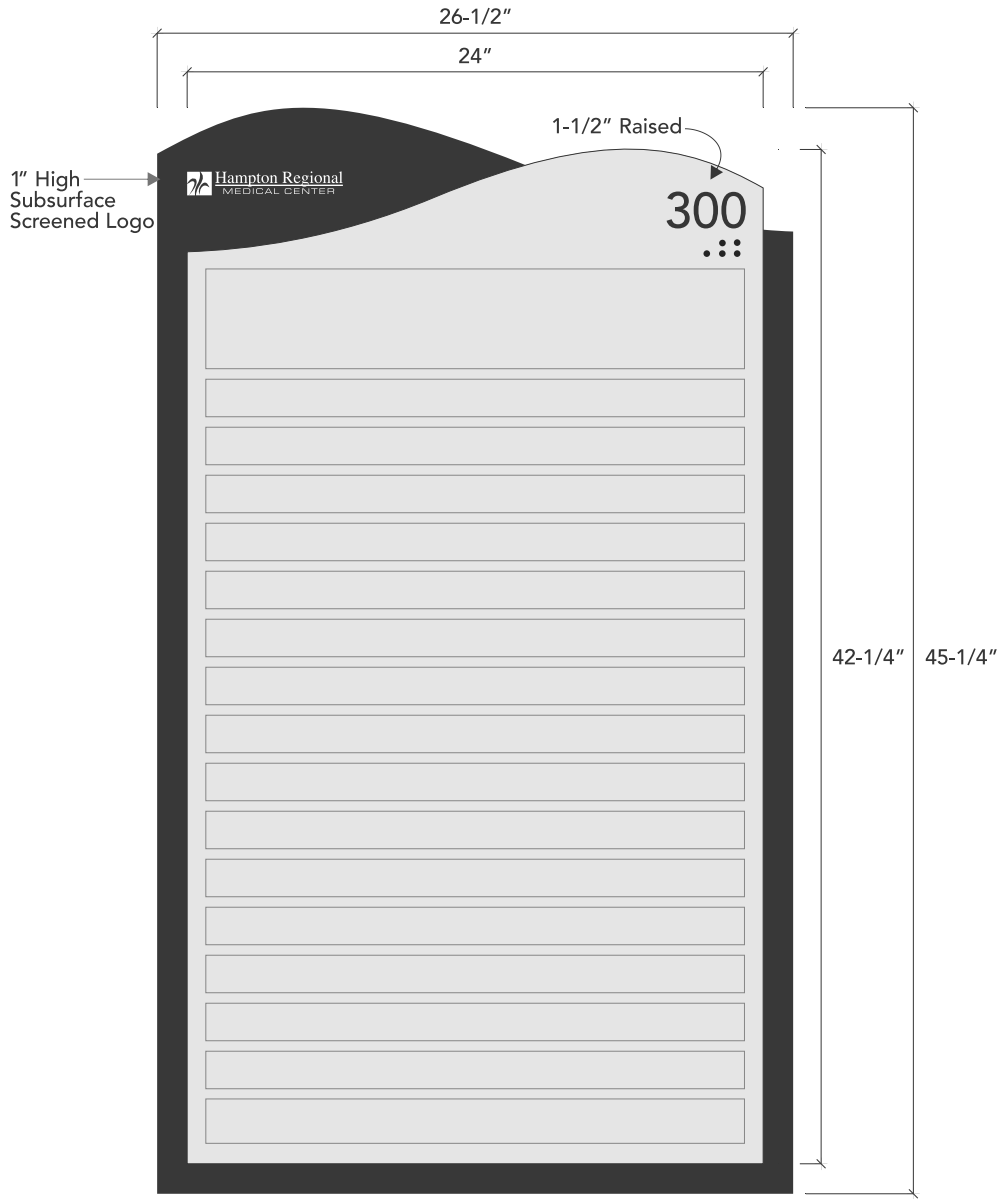


MODULE 16.0/C BASE INSERT

Interior

This drawing and the ideas expressed remain the confidential property of INNERFACE. This drawing and its ideas are not to be reproduced, copied, or disclosed to any other person or entity without the express written consent of a representative or agent of INNERFACE.

16.1



MODULE 161/A HEADER INSERT



MODULE 161/B STRIP INSERT
Qty 15

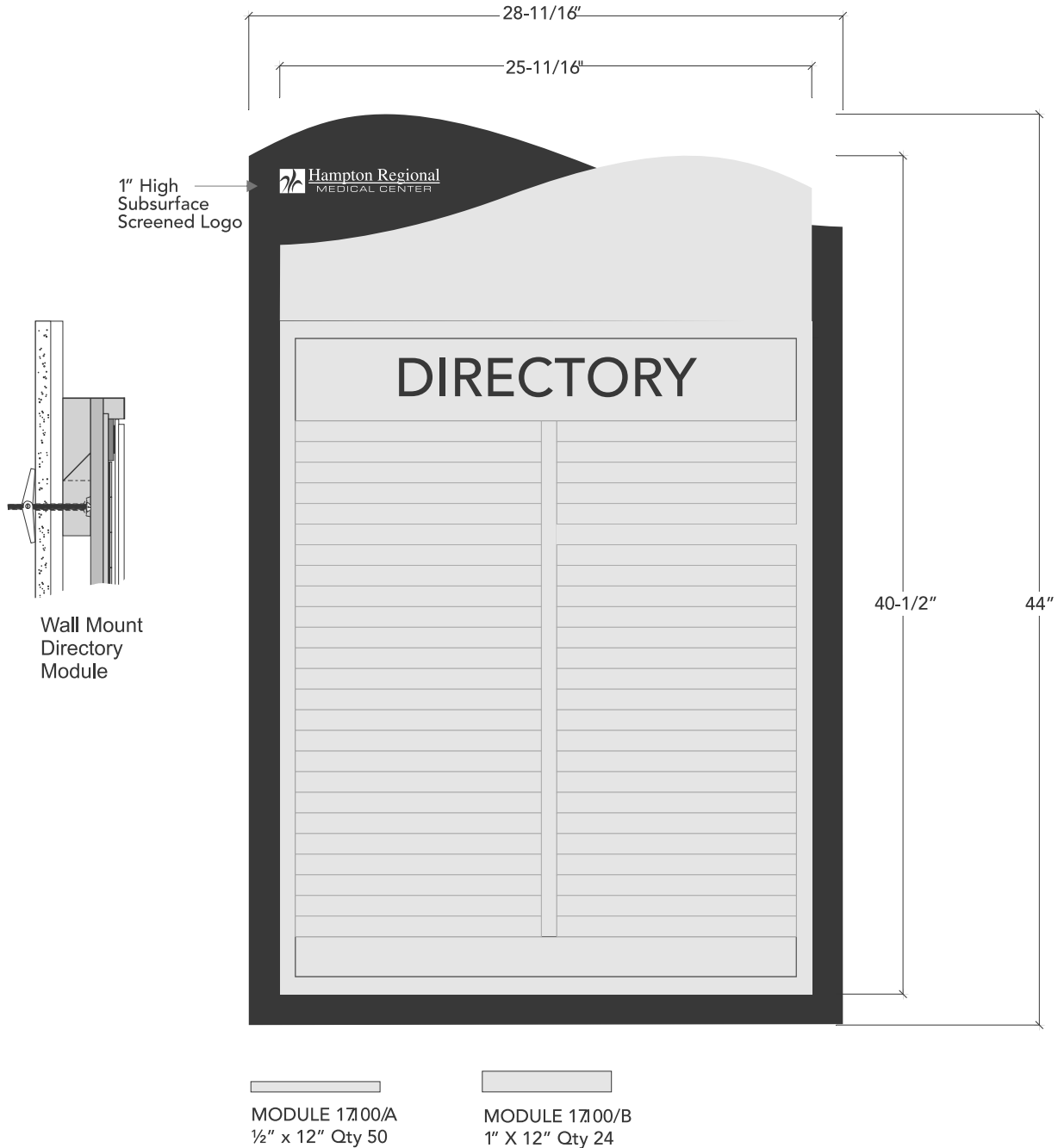


MODULE 161/C BASE INSERT

Interior

This drawing and the ideas expressed remain the confidential property of INNERFACE. This drawing and its ideas are not to be reproduced, copied, or disclosed to any other person or entity without the express written consent of a representative or agent of INNERFACE.

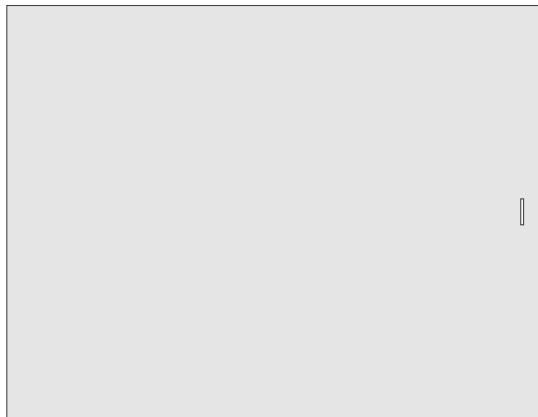
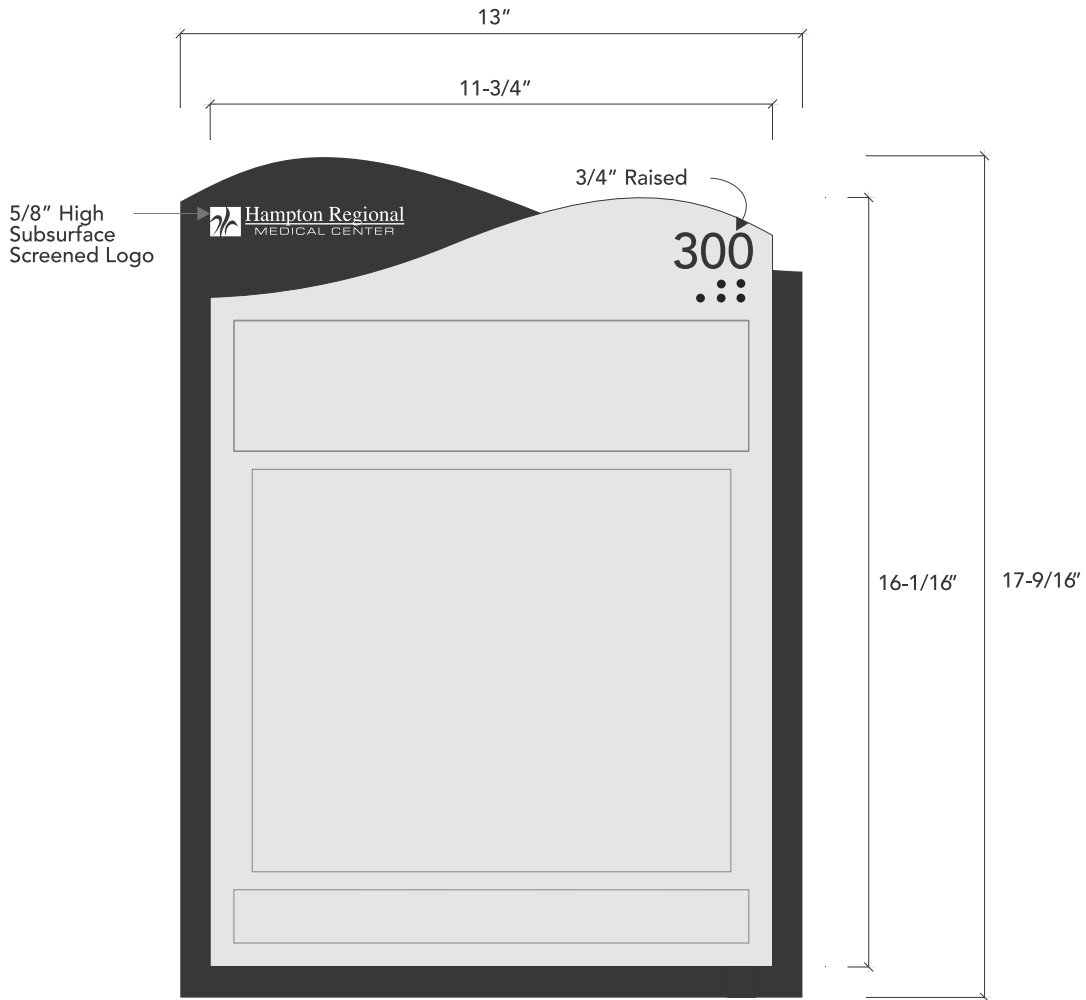
17.100



Interior

This drawing and the ideas expressed remain the confidential property of INNERFACE. This drawing and its ideas are not to be reproduced, copied, or disclosed to any other person or entity without the express written consent of a representative or agent of INNERFACE.

29.0



MODULE 29.0 FIRE EVACUATION PLAN/
ANNOUNCEMENT/EVENTS/MENU



MODULE 29.0/A HEADER INSERT

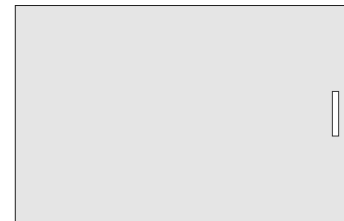
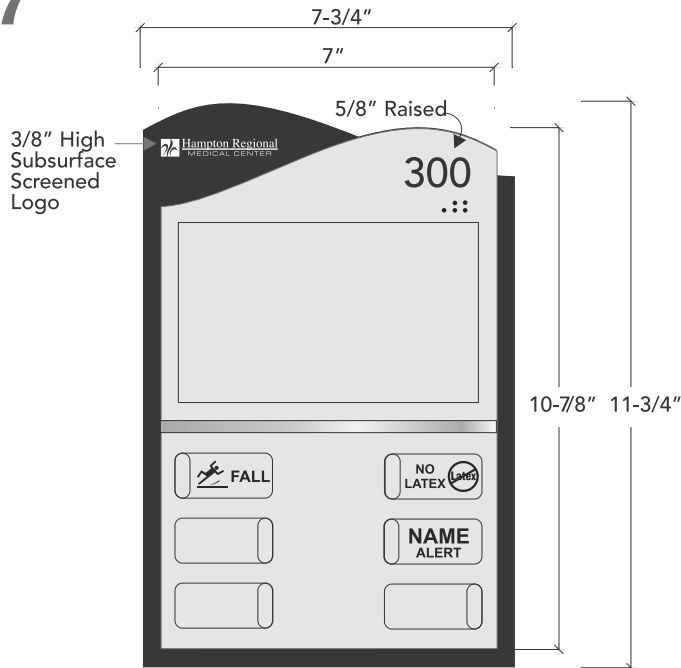


MODULE 29.0/C BASE INSERT

Interior

This drawing and the ideas expressed remain the confidential property of INNERFACE. This drawing and its ideas are not to be reproduced, copied, or disclosed to any other person or entity without the express written consent of a representative or agent of INNERFACE.

P6 - 3.7

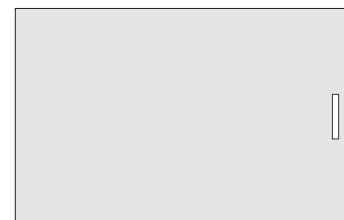
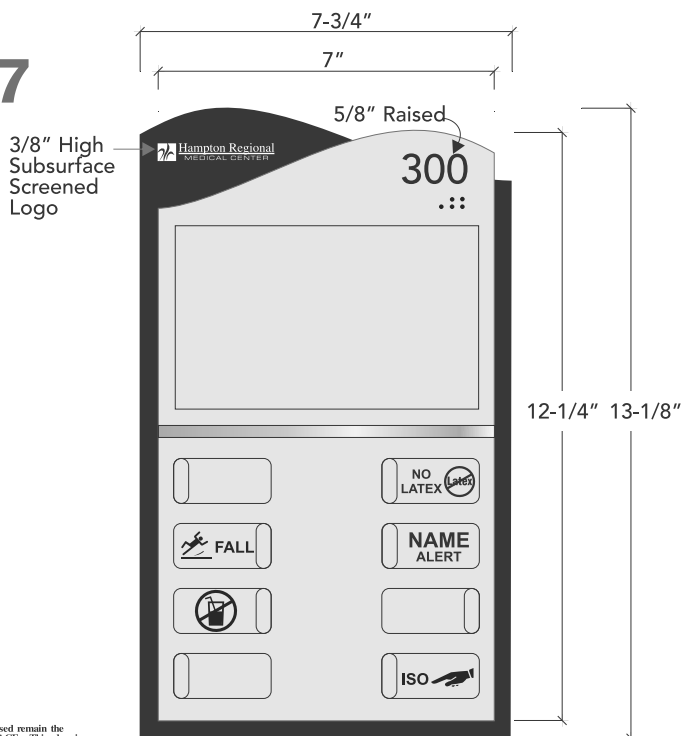


MODULE 3.7/A INSERT

6 Changeable Printed
Precaution Symbol/
Copy Inserts

6 Sliders to cover
Patient Alert Tabs

P8 - 3.7



MODULE 3.7/A INSERT

8 Changeable Printed
Precaution Symbol/
Copy Inserts

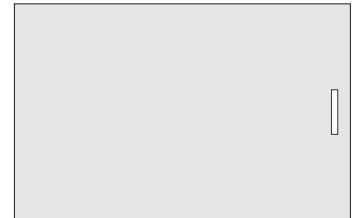
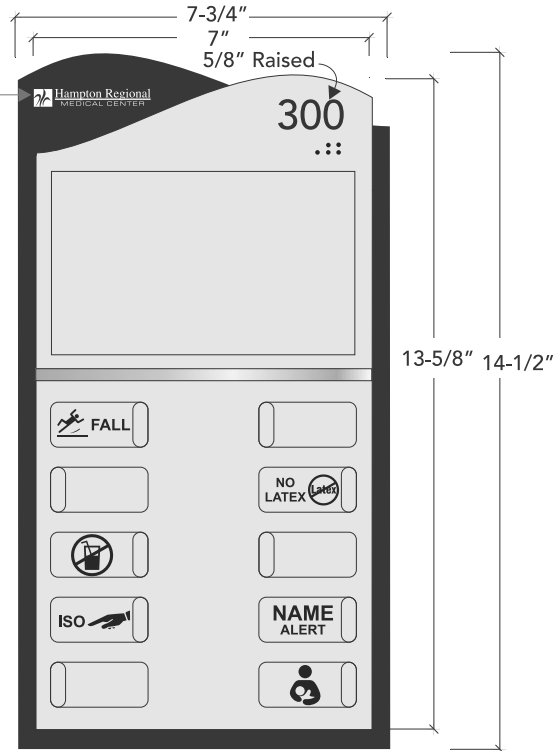
8 Sliders to cover
Patient Alert Tabs

Interior

This drawing and the ideas expressed remain the confidential property of INNERFACE. This drawing and its ideas are not to be reproduced, copied, or disclosed to any other person or entity without the express written consent of a representative or agent of INNERFACE.

P10 - 3.7

3/8" High
Subsurface
Screened
Logo



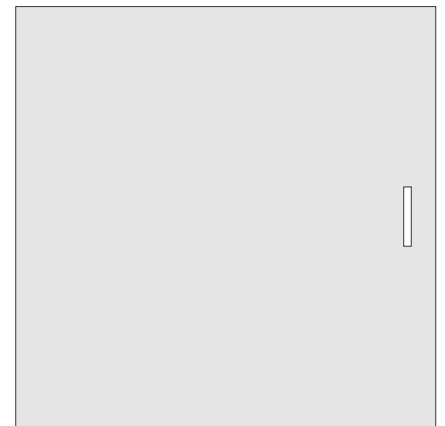
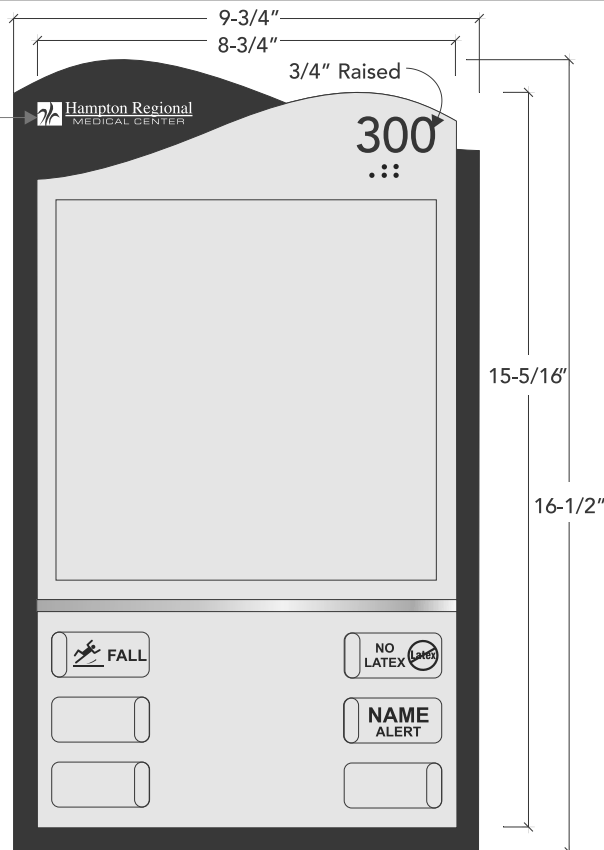
MODULE 3.7/A INSERT

10 Changeable Printed
Precaution Symbol/
Copy Inserts

10 Sliders to cover
Patient Alert Tabs

P6 - 6.0

1/2" High
Subsurface
Screened
Logo



MODULE 6.0/A INSERT

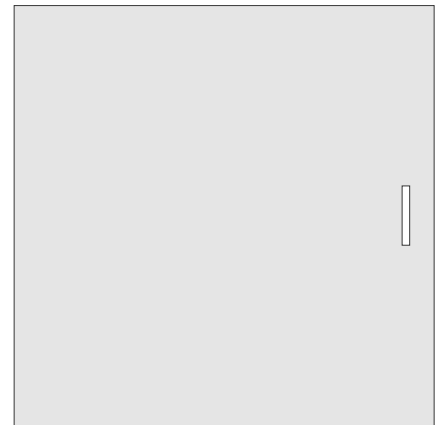
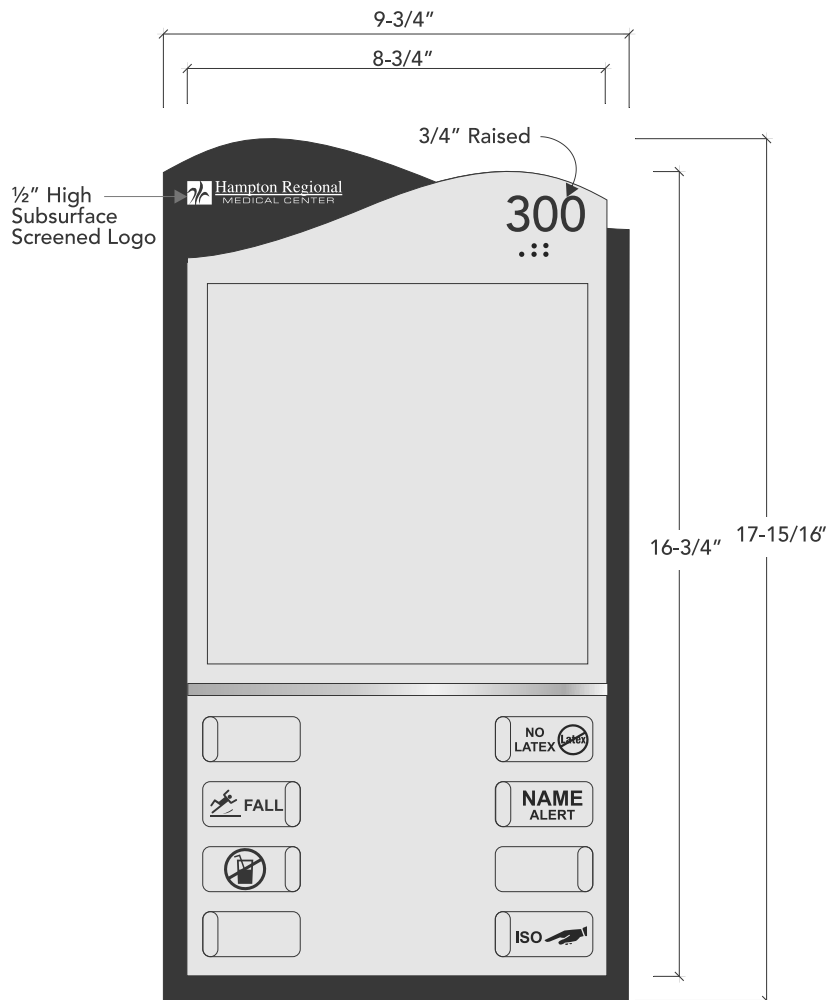
6 Changeable Printed Precaution Symbol/
Copy Inserts

6 Sliders to cover
Patient Alert Tabs

Interior

This drawing and the ideas expressed remain the confidential property of INNERFACE. This drawing and its ideas are not to be reproduced, copied, or disclosed to any other person or entity without the express written consent of a representative or agent of INNERFACE.

P8 - 6.0



MODULE 6.0/A INSERT

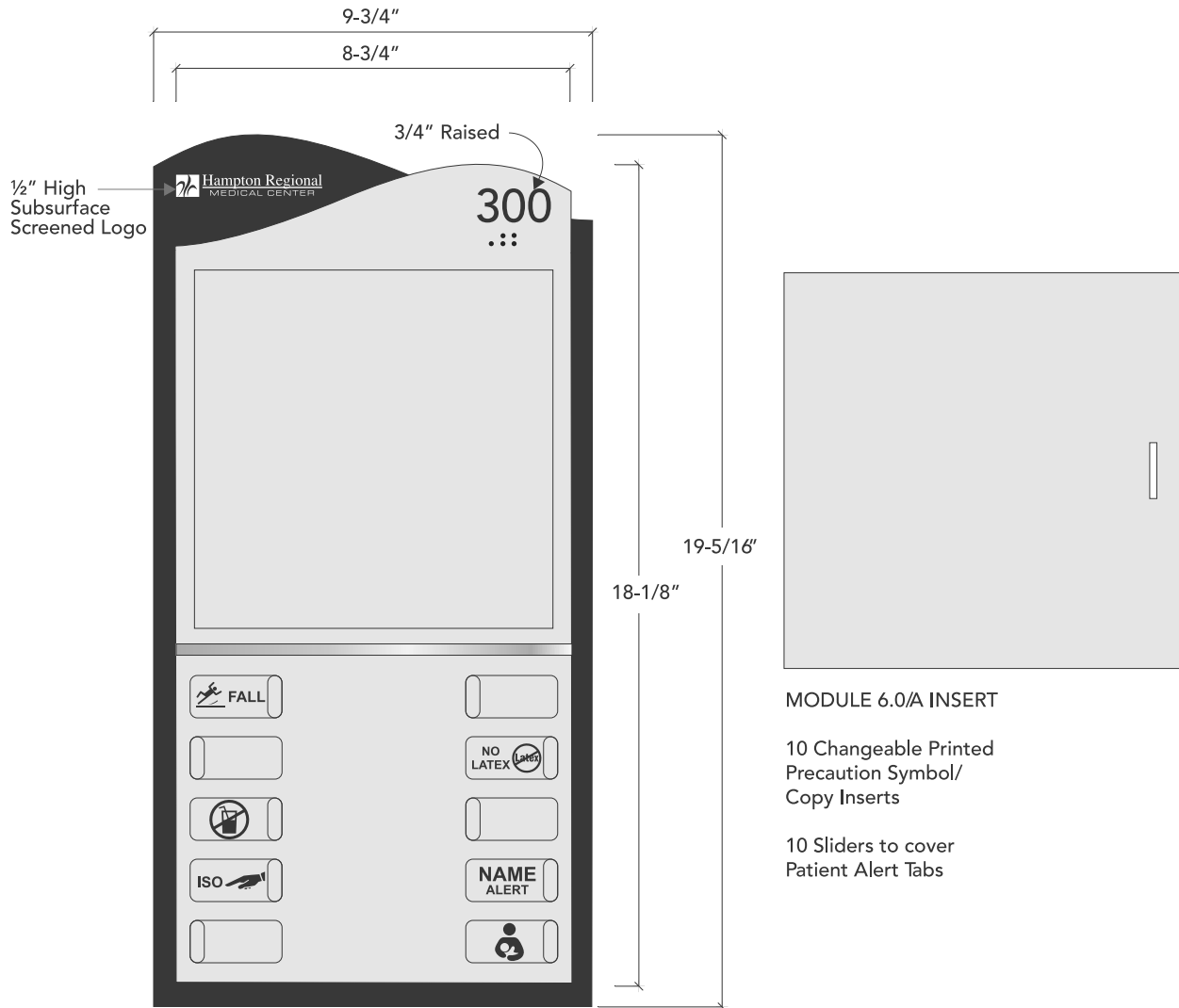
8 Changeable Printed
Precaution Symbol/
Copy Inserts

8 Sliders to cover
Patient Alert Tabs

Interior

This drawing and the ideas expressed remain the confidential property of INNERFACE. This drawing and its ideas are not to be reproduced, copied, or disclosed to any other person or entity without the express written consent of a representative or agent of INNERFACE.

P10 - 6.0

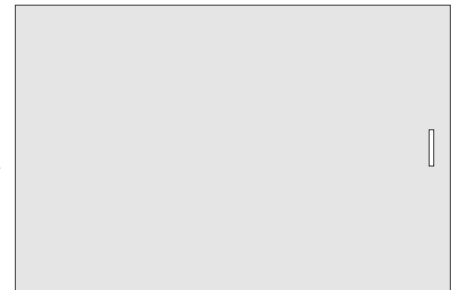
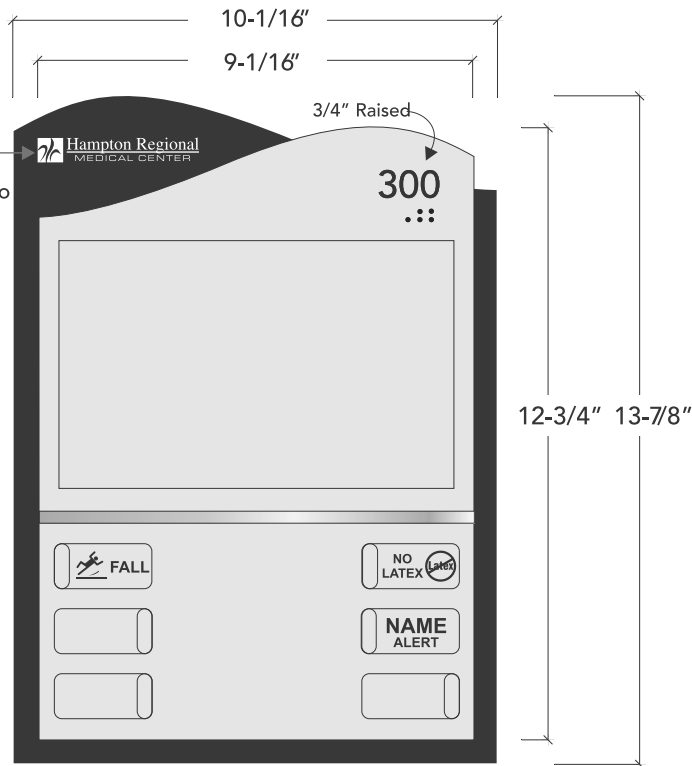


Interior

This drawing and the ideas expressed remain the confidential property of INNERFACE. This drawing and its ideas are not to be reproduced, copied, or disclosed to any other person or entity without the express written consent of a representative or agent of INNERFACE.

P6 - 8.15

3/8" High
Subsurface
Screened Logo



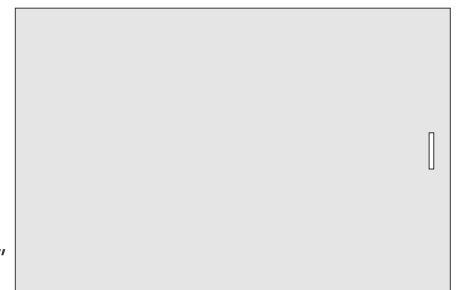
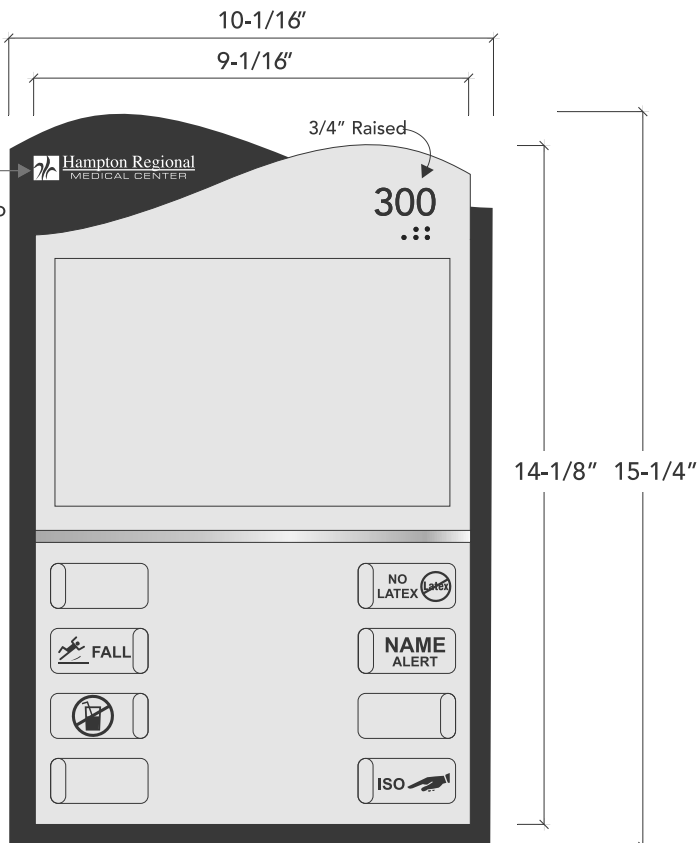
MODULE 815/A Insert

6 Changeable Printed
Precaution Symbol/ Copy Inserts

6 Sliders to cover Patient Alert Tabs
to fit 8-1/2" x 5- 1/2" Insert

P8 - 8.15

3/8" High
Subsurface
Screened Logo



MODULE 815/A Insert

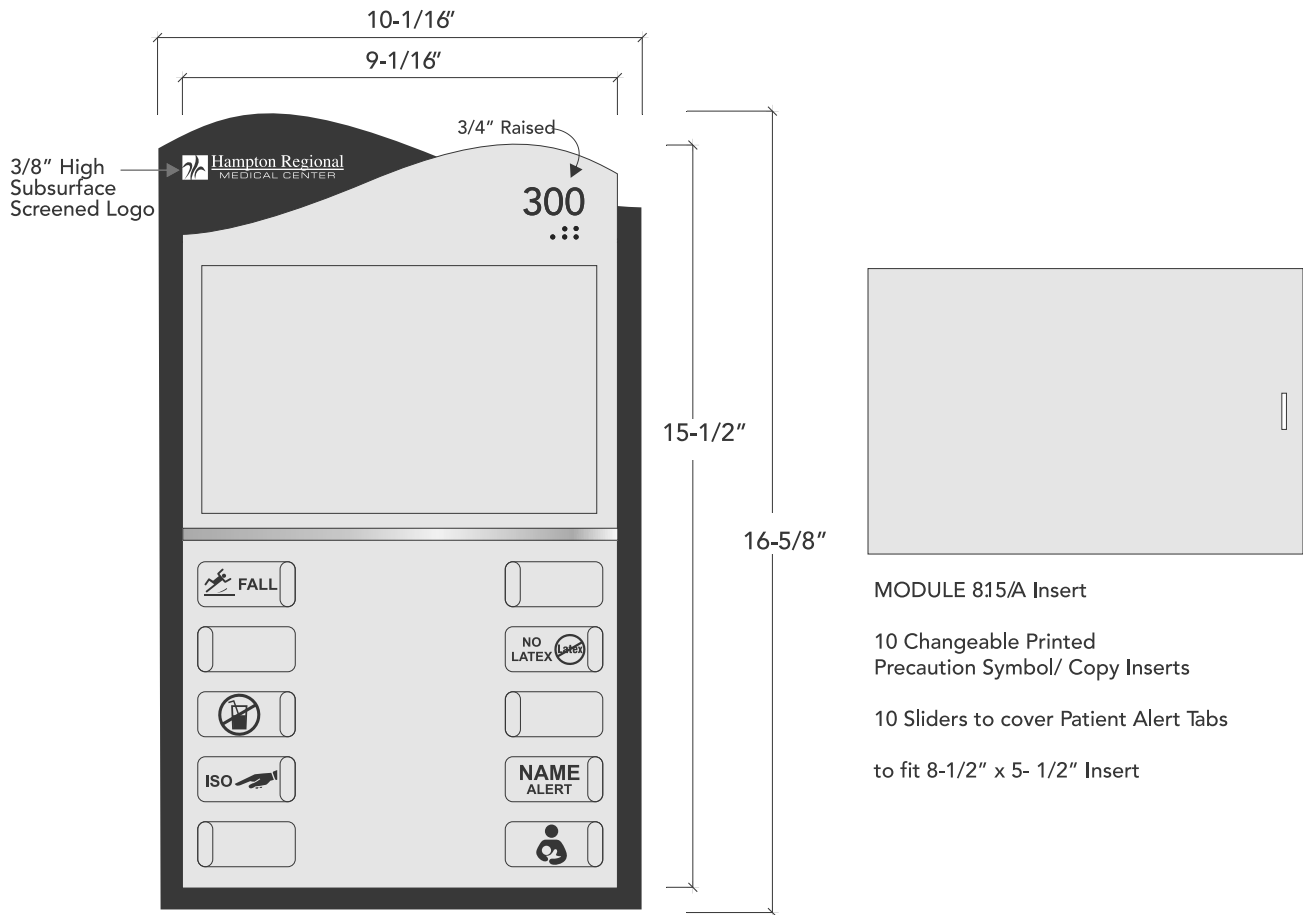
8 Changeable Printed
Precaution Symbol/ Copy Inserts

8 Sliders to cover Patient Alert Tabs
to fit 8-1/2" x 5- 1/2" Insert

Interior

This drawing and the ideas expressed remain the confidential property of INNERFACE. This drawing, and its ideas are not to be reproduced, copied, or disclosed to any other person or entity without the express written consent of a representative or agent of INNERFACE.

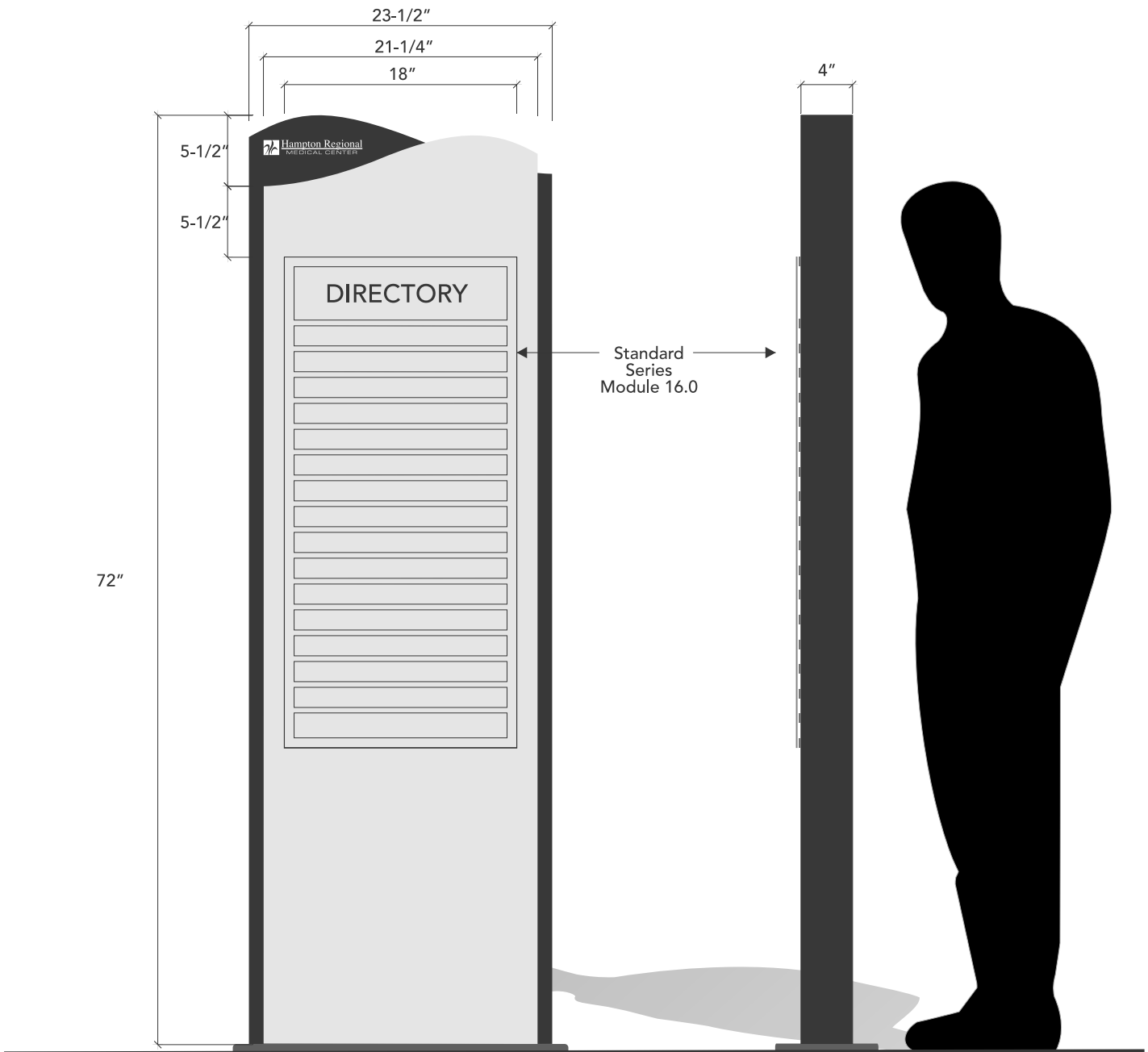
P10 - 8.15



Interior

This drawing and the ideas expressed remain the confidential property of INNERFACE. This drawing and its ideas are not to be reproduced, copied, or disclosed to any other person or entity without the express written consent of a representative or agent of INNERFACE.

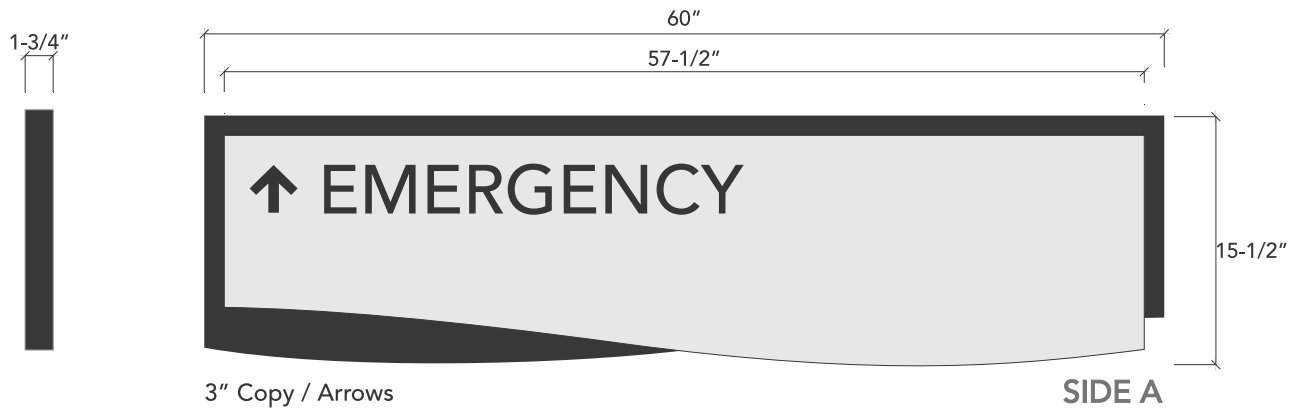
FS



Interior

This drawing and the ideas expressed remain the confidential property of INNERFACE. This drawing and its ideas are not to be reproduced, copied, or disclosed to any other person or entity without the express written consent of a representative or agent of INNERFACE.

CM



*** SIGN MUST BE DOUBLE SIDED.**

Interior

This drawing and the ideas expressed remain the confidential property of INNERFACE. This drawing and its ideas are not to be reproduced, copied, or disclosed to any other person or entity without the express written consent of a representative or agent of INNERFACE.